

eXcessories





WARDROBE ACCESSORIES

Store. Hang. Protect. Contain. Pull-out. Shelves.

The Salice Excessories Collection provides elegant and highly desirable enhancements to everything that wardrobes are used for, with an almost infinite variety of beautiful products that can be customised to suit your own individual taste and needs.

Exquisitely designed gloveboxes, coat hangers, trays and much more, breathe new life into bedroom design by transforming simple storage - ingeniously optimising space with stunning interior design possibilities.

The drawers and the illuminated shelves, symbolic of a refined, elegant and rigorous minimalism, are the perfect combination of technological development and aesthetics, ensuring that the contents of the wardrobe are perfectly stored and displayed.

A tasteful palette of colours and a range of surface textures ensures both the freedom to personalise the selection of accessories and their perfect compatibility with wardrobes of any design and material.

Index



Store

Trays made of imitation leather	page 36
Accessories for trays	page 37
Drawer bottoms	page 42
Finishes and code composition	page 43
HPL drawer inserts	page 44
Finishes	page 46
Finishes and code composition	page 47



Hang

Hangers	page 50
Hanger rods	page 54
Bags hanger	page 56
Scarves and headscarves hanger	page 56
Ties and belts hanger	page 56
Hanger rods	page 58
Finishes and code composition	page 59
Hanging rails	page 60
Swivel hanger	page 64
Pull-out hanger	page 65



Protect

Coat-holder bag	page 68
Finishes and code composition	page 69



Contain

Trays	page 72
Boxes	page 73
Finishes and code composition	page 75



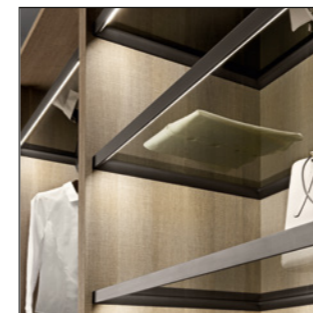
Pull-out

Technical information	page 78
3-sided drawer H 52 mm - wooden frontal	page 84
3-sided drawer H 52 mm - glass frontal	page 86
3-sided drawer H 78 mm - wooden frontal	page 88
3-sided drawer H 78 mm - glass frontal	page 90
3-sided drawer H 128 mm - wooden frontal	page 92
3-sided drawer H 128 mm - glass frontal	page 94
4-sided drawer H 52 mm	page 96
4-sided drawer H 78 mm	page 97
4-sided drawer H 128 mm	page 98
Trousers hanger for drawer	page 99
Skirt hanger for drawer	page 100
Bed linen storage for drawer	page 101
Wired shoe rack for drawer	page 102
Metal shoe rack for drawer	page 103
Spacers	page 105
Drawers alignment	page 112
Cover for runner	page 113



Modular drawer

Technical information	page 116
3-sided drawer	page 118
4-sided drawer	page 122
Adjustments	page 128
3-sided drawer H 52 mm - wooden frontal	page 130
3-sided drawer H 78 mm - wooden frontal	page 132
3-sided drawer H 128 mm - wooden frontal	page 134
4-sided drawer H 52 mm	page 136
4-sided drawer H 78 mm	page 138
4-sided drawer H 128 mm	page 140
Trousers hanger for drawer	page 142
Skirt hanger for drawer	page 143



Shelves

Aluminium frame H 30 mm	page 146
Aluminium frame H 36 mm	page 148
Electrical components	page 152



eXcessories
store



Beautifully-proportioned glovebox trays which can accommodate a selection of storage elements for items that require special care and attention.

In particular, the collection includes watch-holder trays, spectacle holders, ring holders, earring holders, made of imitation leather, available in various colours and dimensions, according to individual aesthetic and functional requirements.



Purpose-made holders for wristwatches, rings and earrings fit perfectly within elegant drawer inserts.

The inserts can also be placed on drawer bottoms, made of imitation leather, thus creating a precious and highly aesthetic drawer, able to embellish all the stored items.

Like the gloveboxes, the drawer bottoms with three dividers, made of imitation leather, can be also used to store ties, scarves or belts.





excessories

hang





Details always make the difference.
The collection also boasts an extractable or rotating coat hanging hook which, when fixed to the shelf, offers an additional handy support when needed.



A multiplicity of options to hang clothes and accessories neatly and to keep them looking their best.
Hangers, cloth and bag hangers, scarf, tie and belt holders made of wenge-dyed beech wood can be now fully personalised with precious inserts or leather supports with many possible combinations.

In the same way, even the most functional items, such as hanger rods can be equipped with a leather sleeve.





Accessories which protect clothes and keep them with elegance inside the wardrobe. The fabric holder bags, height adjustable and provided with pleats to easily contain bulky items of clothing, are made of 100% cotton and available in various colours.



The elegant coat-holder bags can be folded with buttons made of wenge-dyed olive wood.







Boxes and trays for clothing or other items, covered with elegant fabric, enable the internal space to be organised and enriched with tones and colours.



Several dimensions and multiple finishes to select, both boxes and trays can be embellished with a tab and/or a front label made of imitation leather.



The drawers too, available in different versions and heights, play a central role in the Excessories collection.

4-sides aluminium drawers, characterized by elegant shapes and a futuristic style, come with bottoms made of wood, glass or imitation leather.

A classic synthesis of technological development and design, they stand out for the elegance of the profiles, oozing perfect aesthetics and smooth and sinuous shapes, also enabling, from a functional point of view, the easy cleaning of the drawer bottom.

3-sided aluminium drawers with wooden frontal are also available.

Thanks to an easy and quick assembly and a clean and refined aesthetics, the drawers are perfectly compatible with wardrobes of any design and material. No technical element is visible.



The drawers with glass frontals make the wardrobe even more elegant and desirable.



A range of accessories for drawers is also included in the collection: trouser and skirt hangers, shoe racks in mesh or sheet metal and bed linen storage compartments made of quilted fabric.



The drawers are unique and highly distinctive thanks to their faultless design, the attention to details and their sophisticated working, especially between the side and the frontal.



The Excessories collection is the answer to any possible applications, always offering the best solution. The side spacers, for example, used in case of wardrobes with double or sliding doors, allow the perfect pulling out of the drawer, without hitting the doors of the wardrobe.





The new modular drawers of the Excessories collection are the ideal option for customised and flexible design solutions.

These drawers have been developed to be cut to length and easily assembled, thus offering maximum versatility and adaptability to any composition.

Characterised by refined elegance and modern design, the Excessories modular drawers are available in different heights and versions, 3 or 4-sided.

In the 3-sided version, the frontal of the drawer is made of wood, while in the 4-sided version, all the profiles are in aluminium.

Furthermore, both versions can be customised with a wooden, glass or imitation leather base, enhancing the elegant style and the refined details of the drawers.



The particular attention paid to the working of the profiles of the modular drawers is reflected in their elegant and refined finish, as well as in their practical functionality which guarantees easy and quick cleaning of the bottom of the drawer.

The primary customisation feature of the Excessories modular drawers is also reflected in its accessories. In fact, each drawer can be configured according to your preferences and needs.



Inside the drawers it is possible to add useful elements to better organize clothes and accessories, such as trousers and skirts hangers.

Thanks to a clean and refined line, the Excessories modular drawers are perfectly compatible with walk-in closet and wardrobes of any design and material.

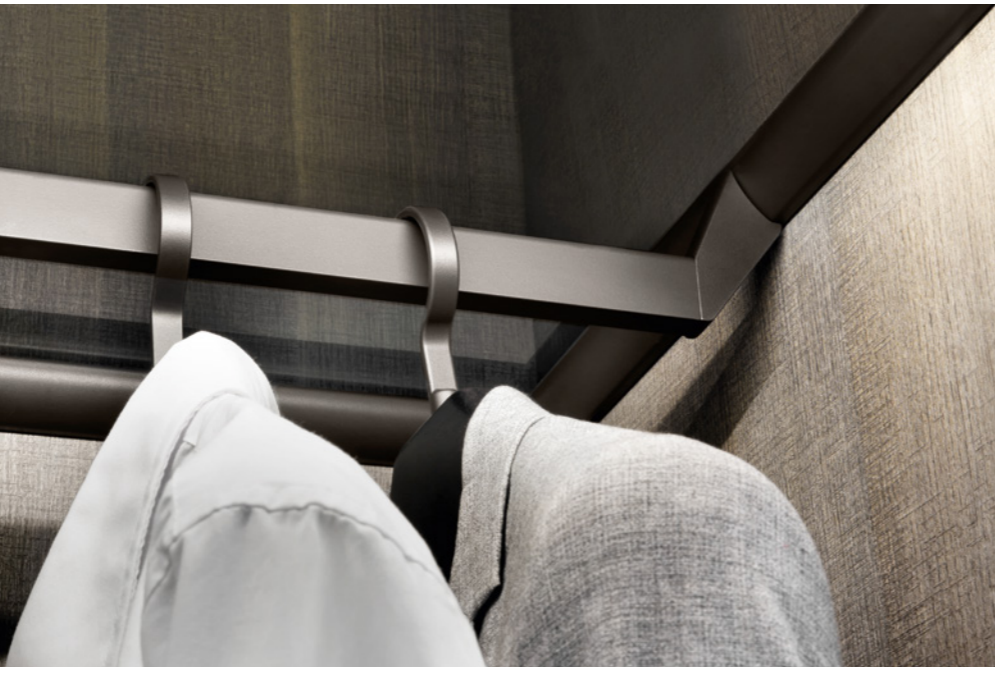




Nowadays the light plays a vital role in walk-in wardrobes. The illuminated shelves of the collection bring clothes and accessories to life; the wardrobe lights up and animates all the stored items.

The lighting system is perfectly hidden and the shelf bottoms, made of glass, amplify even more the brightness and the luminance.

The hanger rail, and the special refined working of its supports, complete and embellish the product design.





Store

Excessories - store

VE80CXLA32__Y = depth 410 mm
Finish code number on page 43

Multi-purpose tray with 2 internal dividers

- Material: imitation leather
- External dimensions (mm): 150x410 H 50
- Packing: 4 pieces per box



VE80CXLA30__A = depth 410 mm
Finish code number on page 43

Multi-purpose tray with 4 internal dividers

- Material: imitation leather
- External dimensions (mm): 300x410 H 50
- Packing: 1 piece per box



VE80CXLA31__A = depth 410 mm
Finish code number on page 43

Multi-purpose tray with 6 internal dividers

- Material: imitation leather
- External dimensions (mm): 450x410 H 50
- Packing: 1 piece per box



Accessories for trays

VE80CXLA44__B = depth 126 mm
Finish code number on page 43

Watch-holder

- Material: imitation leather
- External dimensions (mm): 136x126
- Packing: 2 pieces per box



VE80CXLA45__B = depth 126 mm
Finish code number on page 43

Earring-holder

- Material: imitation leather
- External dimensions (mm): 136x126
- Packing: 2 pieces per box



VE80CXLA43__B = depth 126 mm
Finish code number on page 43

Ring-holder

- Material: imitation leather
- External dimensions (mm): 136x126
- Packing: 2 pieces per box



VE80CXLA42__B = depth 262 mm
Finish code number on page 43

Vertical 2-space divider

- Material: imitation leather
- External dimensions (mm): 136x262
- Packing: 2 pieces per box



VE80CXLA41__B = depth 262 mm
Finish code number on page 43

Vertical divider with 4 horizontal spaces

- Material: imitation leather
- External dimensions (mm): 136x262
- Packing: 2 pieces per box



Excessories - store - Some suggestions for possible combinations



Excessories - store - Some suggestions for possible combinations



Excessories - store

VE80CXG____B

Finish code number on page 43

Bottom for drawers, shelves and metal shoe racks

- Material: imitation leather
- Made to measure
- When ordering, please confirm the requested dimensions
- Packing: 1 piece per box



VE80CXH____B

Finish code number on page 43

Drawer bottom with 3 dividers

- Material: imitation leather
- Made to measure
- When ordering, please confirm the requested dimensions
- Packing: 1 piece per box



FINISHES

Excessories - store - Imitation leather

MOKA BROWN

finish available in stock*



ELEPHANT GREY

finish available in stock*



TURTLE-DOVE GREY

finish on request



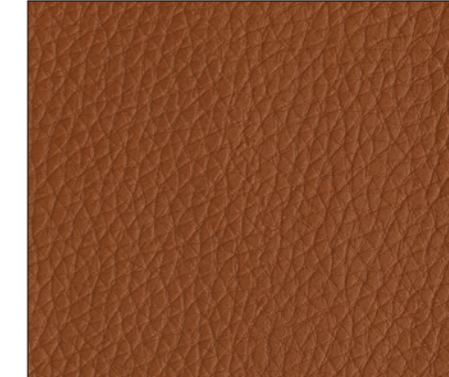
KHAKI BROWN

finish on request



CAMEL

finish on request



FLAX GREY

finish on request



*finishes available in stock, while stocks last

Code composition (example):

VE80CXLA____B

PRODUCT PART NUMBER

VE80CXG____B

BOTTOM PART NUMBER,
ACCORDING TO THE
DIMENSIONS SUPPLIED

VE80CXH____B

BOTTOM PART NUMBER,
ACCORDING TO THE
DIMENSIONS SUPPLIED

16 = MOKA BROWN IMITATION LEATHER

17 = ELEPHANT GREY IMITATION LEATHER

19 = TAUPE BROWN IMITATION LEATHER

22 = KHAKI BROWN IMITATION LEATHER

23 = CAMEL IMITATION LEATHER

21 = TOFFEE WHITE IMITATION LEATHER

Excessories - store

VE80CXNA10__B = depth 410 mm
Finish code number on page 53, chart 2

HPL drawer insert, wenge-dyed finish, with 3 storage dividers

- Material: imitation leather
- External dimensions (mm): 360x150 or 410x150 H 50
- Packing: 4 pieces per box



VE80CXNA08__B = depth 410 mm
Finish code number on page 53, chart 2

HPL drawer insert, wenge-dyed finish, with ring holder

- Material: imitation leather
- External dimensions (mm): 360x150 or 410x150 H 50
- Packing: 4 pieces per box



VE80CXNA06__B = depth 410 mm
Finish code number on page 53, chart 2

HPL drawer insert, wenge-dyed finish, with earring holder

- Material: imitation leather
- External dimensions (mm): 360x150 or 410x150 H 50
- Packing: 4 pieces per box



VE80CXNA04__B = depth 410 mm
Finish code number on page 53, chart 2

HPL drawer insert, wenge-dyed finish, with watch holder

- Material: imitation leather
- External dimensions (mm): 360x150 or 410x150 H 50
- Packing: 4 pieces per box



FINISHES

Excessories - store - Imitation leather - finitura disponibile a stock*

MOKA BROWN and HPL WENGE



VE80CXN **F1B**

PRODUCT PART NUMBER

ELEPHANT GREY and HPL WENGE



VE80CXN **F2B**

PRODUCT PART NUMBER

*finishes available in stock, while stocks last

Excessories - store - Imitation leather - finish available on request

MARRONE TAUPE



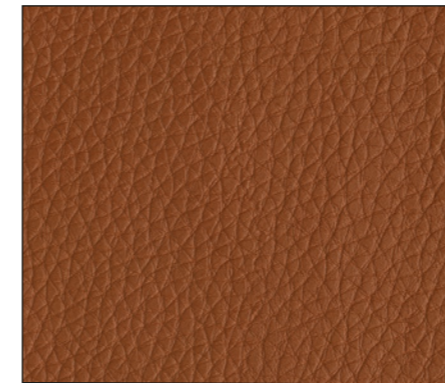
FLAX GREY



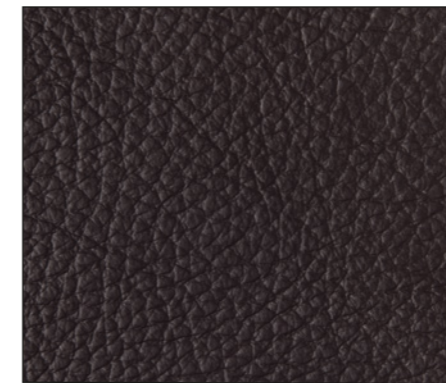
KHAKI BROWN



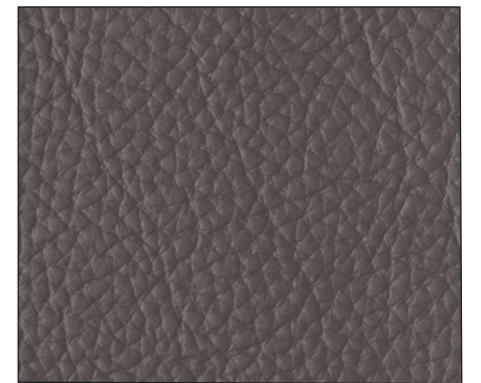
CAMEL



MOKA BROWN



ELEPHANT GREY



WENGE-DYED



WALNUT-DYED



Code composition (example):

VE80CXN **B**

PRODUCT PART NUMBER

- F4** = HPL WENGE-DYED DRAWER INSERT - TAUPE BROWN IMITATION LEATHER
- F7** = HPL WENGE-DYED DRAWER INSERT - KHAKI BROWN IMITATION LEATHER
- F8** = HPL WENGE-DYED DRAWER INSERT - CAMEL IMITATION LEATHER
- F6** = HPL WENGE-DYED DRAWER INSERT - TOFFEE WHITE IMITATION LEATHER

- G1** = HPL WALNUT-DYED DRAWER INSERT - MOKA BROWN IMITATION LEATHER
- G2** = HPL WALNUT-DYED DRAWER INSERT - ELEPHANT GREY IMITATION LEATHER
- G4** = HPL WALNUT-DYED DRAWER INSERT - TAUPE BROWN IMITATION LEATHER
- G7** = HPL WALNUT-DYED DRAWER INSERT - KHAKI BROWN IMITATION
- G8** = HPL WALNUT-DYED DRAWER INSERT - CAMEL IMITATION LEATHER
- G6** = HPL WALNUT-DYED DRAWER INSERT - TOFFEE WHITE IMITATION LEATHER



Hang

Excessories - hang - wood

VE80DBAA2670B

Women's suit hanger

- Hanger material: beech
- Hanger finish: wenge
- Hook material: epoxy-coated die-cast
- Hook finish: metal grey brown
- Bar and clip material: epoxy-coated metal
- Bar and clip finish: metal grey brown
- External dimensions (mm): 400x293
- Packing: 4 pieces per box

Personalisation with laser or screen-printed logo on request.
Minimum order 60 pcs.



VE80DBAA2970B

Men's suit hanger

- Hanger material: beech
- Hanger finish: wenge
- Hook material: epoxy-coated die-cast
- Hook finish: metal grey brown
- External dimensions (mm): 450x257
- Packing: 4 pieces per box

Personalisation with laser or screen-printed logo on request.
Minimum order 60 pcs.



VE80DBAA1670B

Women's suit hanger

- Hanger material: beech
- Hanger finish: wenge
- Hook material: epoxy-coated die-cast
- Hook finish: metal grey brown
- Bar and clip material: epoxy-coated metal
- Bar and clip finish: metal grey brown
- External dimensions (mm): 400x293
- Packing: 4 pieces per box

Personalisation with laser or screen-printed logo on request.
Minimum order 60 pcs.



VE80DBAA1970B

Men's suit hanger

- Hanger material: beech
- Hanger finish: wenge
- Hook material: epoxy-coated die-cast
- Hook finish: metal grey brown
- External dimensions (mm): 450x257
- Packing: 4 pieces per box

Personalisation with laser or screen-printed logo on request.
Minimum order 60 pcs.



VE80DBAA1070B

Skirt hanger

- Hanger material: beech
- Hanger finish: wenge
- Hook material: epoxy-coated die-cast
- Hook finish: metal grey brown
- Bar and clip material: epoxy-coated metal
- Bar and clip finish: metal grey brown
- External dimensions (mm): 390x200
- Packing: 4 pieces per box

Personalisation with laser or screen-printed logo on request.
Minimum order 60 pcs.



VE80DBAA1370B

Trousers hanger

- Hanger material: beech
- Hanger finish: wenge
- Hook material: epoxy-coated die-cast
- Hook finish: metal grey brown
- External dimensions (mm): 390x170
- Packing: 4 pieces per box

Personalisation with laser or screen-printed logo on request.
Minimum order 60 pcs.



Excessories - hang - wood and genuine leather

VE80DBAA28__B

Finish code number on page 59

Women's suit hanger

- Hanger material: beech. Genuine leather insert
- Hanger finish: wenge
- Hook material: epoxy-coated die-cast
- Hook finish: metal grey brown
- Bar and clip material: epoxy-coated metal
- Bar and clip finish: metal grey brown
- External dimensions (mm): 400x293
- Packing: 4 pieces per box

Personalisation with hot-stamped logo on request.
Minimum order 60 pcs.



VE80DBAA31__B

Finish code number on page 59

Men's suit hanger

- Hanger material: beech. Genuine leather insert
- Hanger finish: wenge
- Hook material: epoxy-coated die-cast
- Hook finish: metal grey brown
- External dimensions (mm): 450x257
- Packing: 4 pieces per box

Personalisation with hot-stamped logo on request.
Minimum order 60 pcs.



VE80DBAA18__B

Finish code number on page 59

Women's suit hanger

- Hanger material: beech. Genuine leather insert
- Hanger finish: wenge
- Hook material: epoxy-coated die-cast
- Hook finish: metal grey brown
- Bar and clip material: epoxy-coated metal
- Bar and clip finish: metal grey brown
- External dimensions (mm): 400x293
- Packing: 4 pieces per box

Personalisation with hot-stamped logo on request.
Minimum order 60 pcs.



VE80DBAA21__B

Finish code number on page 59

Men's suit hanger

- Hanger material: beech. Genuine leather insert
- Hanger finish: wenge
- Hook material: epoxy-coated die-cast
- Hook finish: metal grey brown
- External dimensions (mm): 450x257
- Packing: 4 pieces per box

Personalisation with hot-stamped logo on request.
Minimum order 60 pcs.



VE80DBAA12__B

Finish code number on page 59

Skirt hanger

- Hanger material: beech. Genuine leather insert.
- Hanger finish: wenge
- Hook material: epoxy-coated die-cast
- Hook finish: metal grey brown
- Bar and clip material: epoxy-coated metal
- Bar and clip finish: metal grey brown
- External dimensions (mm): 390x200
- Packing: 4 pieces per box

Personalisation with hot-stamped logo on request.
Minimum order 60 pcs.



VE80DBAA15__B

Finish code number on page 59

Trousers hanger

- Hanger material: beech. Genuine leather insert.
- Hanger finish: wenge
- Hook material: epoxy-coated die-cast
- Hook finish: metal grey brown
- External dimensions (mm): 390x170
- Packing: 4 pieces per box

Personalisation with hot-stamped logo on request.
Minimum order 60 pcs.



Excessories - hang - accessories

VE80DBAA0170B

Hanger rod

- Material: beech
- Finish: wenge
- Dimensions (mm): 840
- Packing: 8 pieces per box

Screw the hanger rod into the threaded bush in the hanger.



VE80DBAA03_B

Finish code number on page 59

Hanger rod with genuine leather sleeve

- Material: beech
- Finish: wenge
- Dimensions (mm): 840
- Packing: 8 pieces per box

Screw the hanger rod into the threaded bush in the hanger.



Excessories - hang

VE80DBAA0570B

Bags hanger

- Bags hanger material: beech
- Bags hanger finish: wenge
- Hook material: epoxy-coated die-cast
- Hook finish: metal grey brown
- External dimensions (mm): 98x185
- Packing: 10 pieces per box

Personalisation with hot-stamped or embossed logo on request.



VE80DBAA0770B

Scarves and headscarves hanger

- Hanger material: beech
- Hanger finish: wenge
- Hook material: epoxy-coated die-cast
- Hook finish: metal grey brown
- External dimensions (mm): 150x245
- Packing: 10 pieces per box



VE80DBAA09_B

Finish code number on page 59

Tie and belt hanger. Genuine leather support.

- Material: beech
- Finish: wenge
- External dimensions (mm): 68x156
- Packing: 10 pieces per box

Personalisation with hot-stamped logo on request.



All the hangers of the collection can perfectly match scarves and headscarves, suits, belts and ties, already in the wardrobe.



Excessories - hang

VE80DBAA0270B

Hanger rod with hook

- Hanger rod material: beech
- Hanger rod finish: wenge
- Hook material: epoxy-coated die-cast
- Hook finish: metal grey brown
- Dimensions (mm): 970
- Packing: 8 pieces per box



VE80DBAA23__B

Finish code number on page 59

Hanger rod with hook and genuine leather sleeve

- Hanger rod material: beech
- Hanger rod finish: wenge
- Hook material: epoxy-coated die-cast
- Hook finish: metal grey brown
- Dimensions (mm): 970
- Packing: 8 pieces per box



VE80DBAA04__B

Finish code number on page 59

Tie hanger rod with genuine leather supports

- Tie hanger rod material: beech
- Tie hanger rod finish: wenge
- Hook material: epoxy-coated die-cast
- Hook finish: metal grey brown
- Dimensions (mm): 865
- Packing: 4 pieces per box



FINISHES

Excessories - hang - Genuine leather

MOKA BROWN

finitura disponibile a stock*



ELEPHANT GREY

finish on request



FLAX GREY

finish on request



TURTLE-DOVE GREY

finish on request



CAMEL

finish on request



KHAKI BROWN

finish on request



*finishes available in stock, while stocks last

Code composition (example):

VE80DBAA18__B

A1 = MOKA BROWN LEATHER
A2 = ELEPHANT GREY LEATHER
A3 = FLAX GREY LEATHER
A4 = TURTLE-DOVE GREY LEATHER
A8 = CAMEL LEATHER
A7 = KHAKI BROWN LEATHER

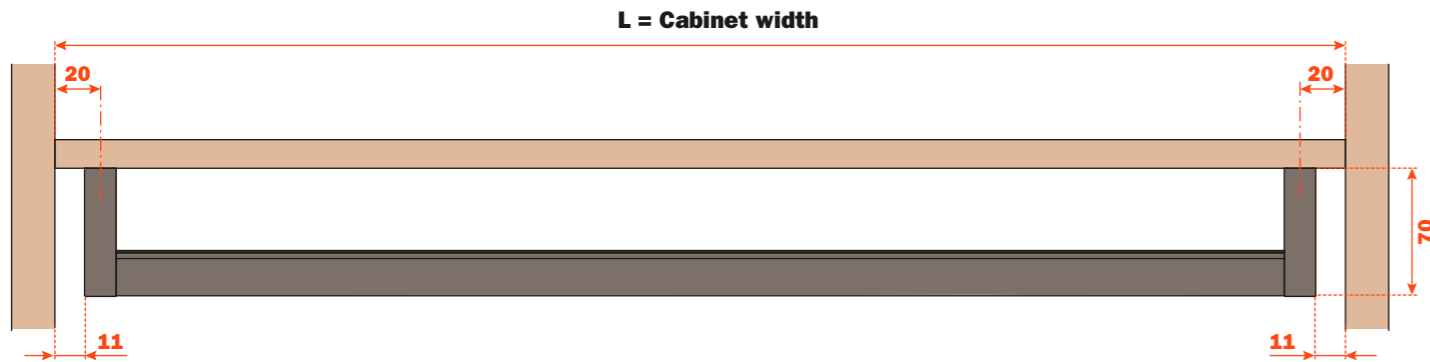
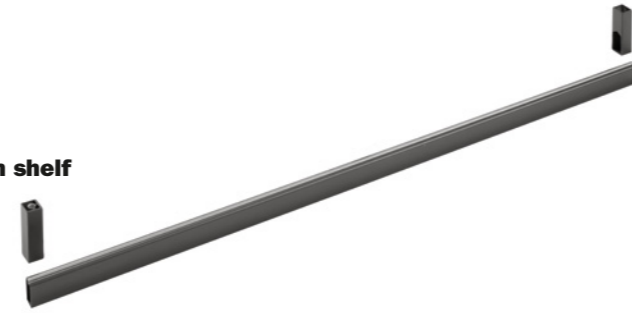
Excessories - hang

- VE80DAHA0133B** = Hanger rail for clothes, length 1000 mm
- VE80DAHA0233B** = Hanger rail for clothes, length 1500 mm
- VE80DAHA1033B** = End supports for hanger rail
- VE80DAHA1133B** = Centre support for hanger rail

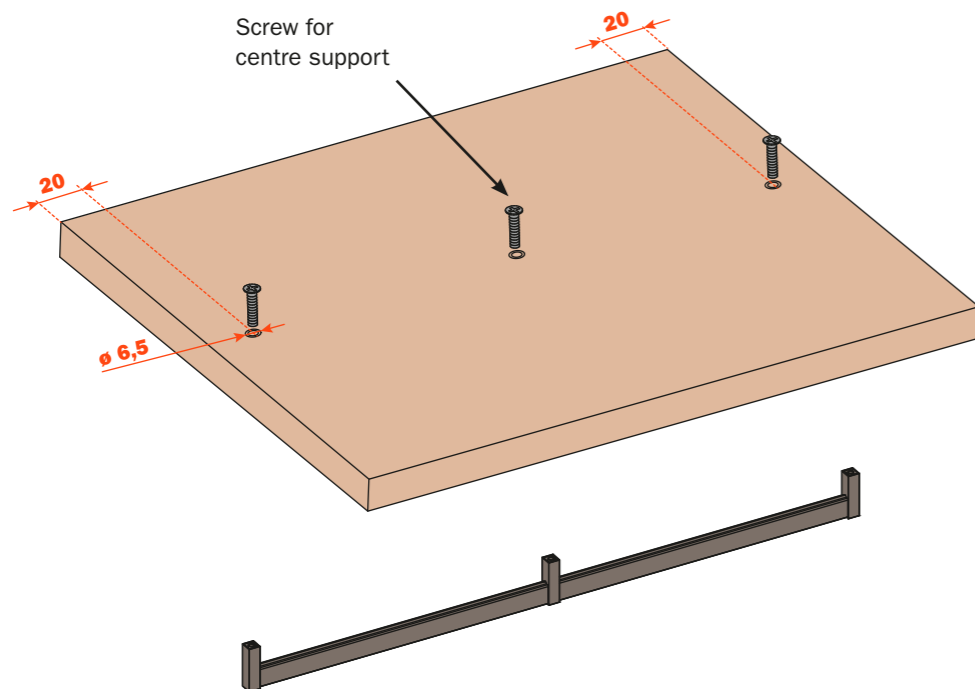
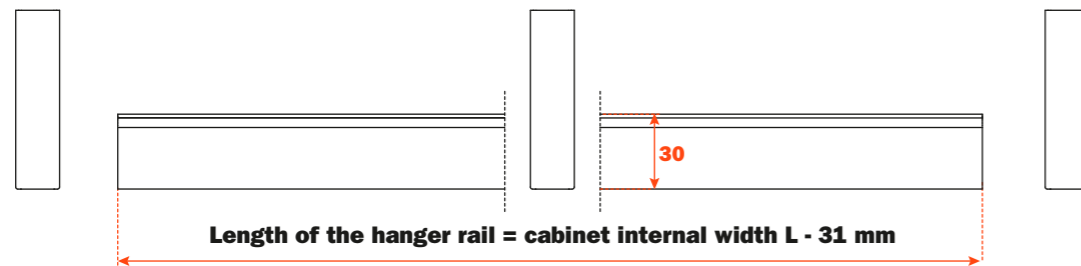
FIXING FROM THE TOP OF THE CABINET

Hanging rail for clothes hangers with support brackets, for wooden shelf

- Hanger rail material: epoxy-coated aluminium, section 15 x 30 mm
- Supports material: epoxy-coated die-cast
- Finish: metal grey brown
- Packing: 20 pieces per box
- Use M6 screw, screws not included
- Screw length = shelf thickness + min. 10 mm/max. 15 mm
- Custom-tailored hanger rail available when ordering more than 20 pieces



Centre support needed for hanger rails with length above 1200 mm or loads of more than 15 kg

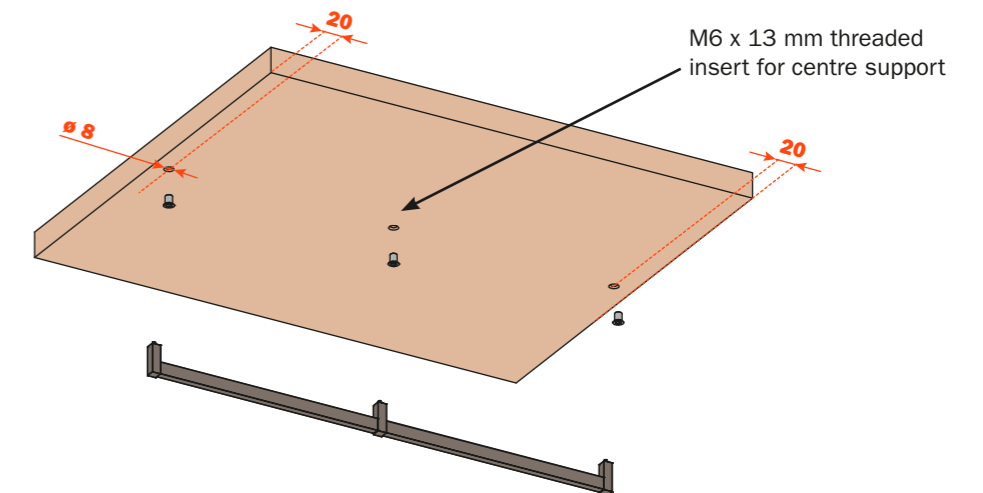
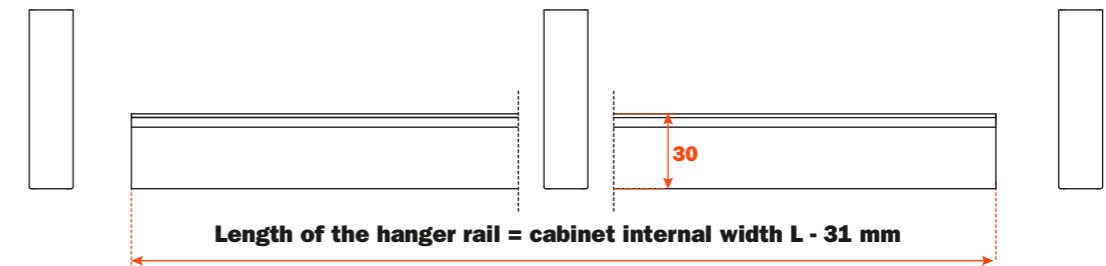
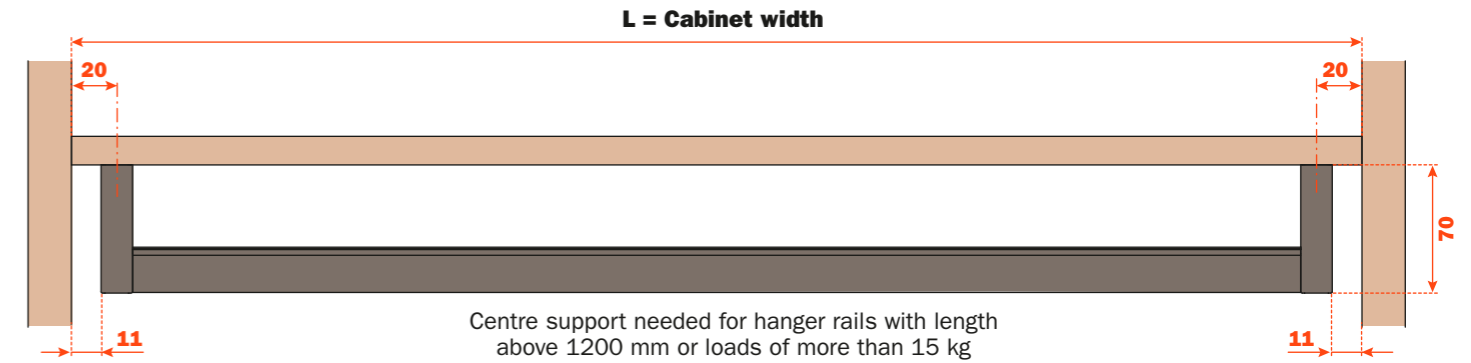
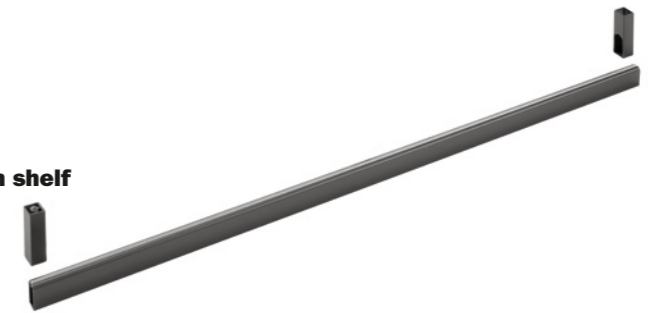


- VE80DAHA0133B** = Hanger rail for clothes, length 1000 mm
- VE80DAHA0233B** = Hanger rail for clothes, length 1500 mm
- VE80DAHA1233B** = End supports for hanger rail
- VE80DAHA1333B** = Centre support for hanger rail

FIXING UNDER THE SHELF

Hanging rail for clothes hangers with support brackets, for wooden shelf

- Hanger rail material: epoxy-coated aluminium, section 15 x 30 mm
- Supports material: epoxy-coated die-cast
- Finish: metal grey brown
- Packing: 20 pieces per box, threaded inserts and pins included
- Custom-tailored hanger rail available when ordering more than 20 pieces

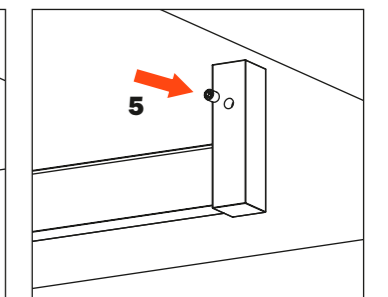
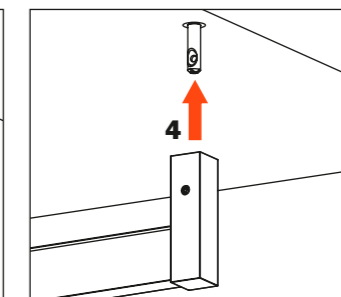
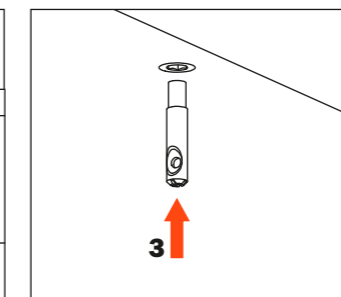
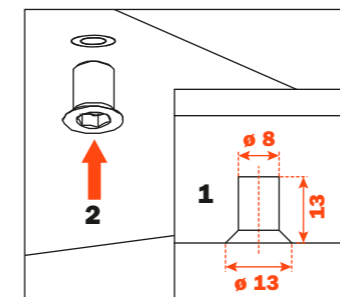


Drill the shelf and screw in the threaded inserts

Insert the pins into the threaded inserts

Insert the support brackets

Tighten the grub screws



Excessories - hang

- VE80DAHA0133B** = Hanger rail for clothes, length 1000 mm
- VE80DAHA0233B** = Hanger rail for clothes, length 1500 mm
- VE80GMRA00633B** = End supports for hanger rail (without back cover)
- VE80GMRA01733B** = End supports for hanger rail (with back cover)
- VE80GMRA00733B** = Centre support for hanger rail

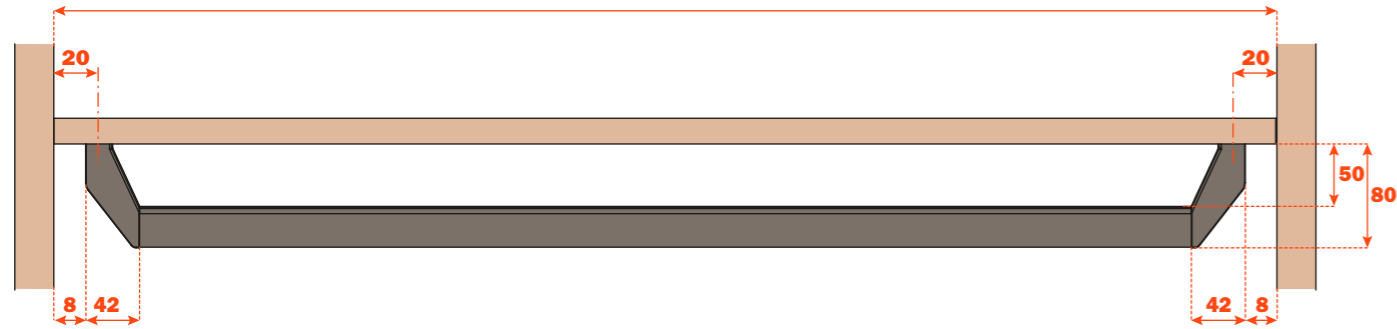
FIXING FROM THE TOP OF THE CABINET

Hanging rail for clothes hangers with support brackets, for wooden shelf

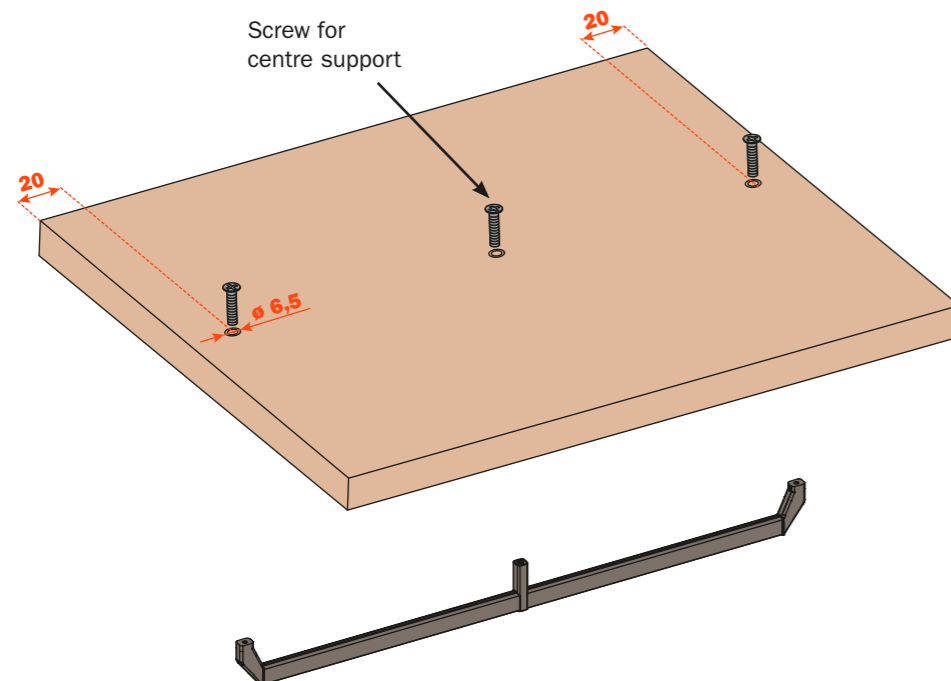
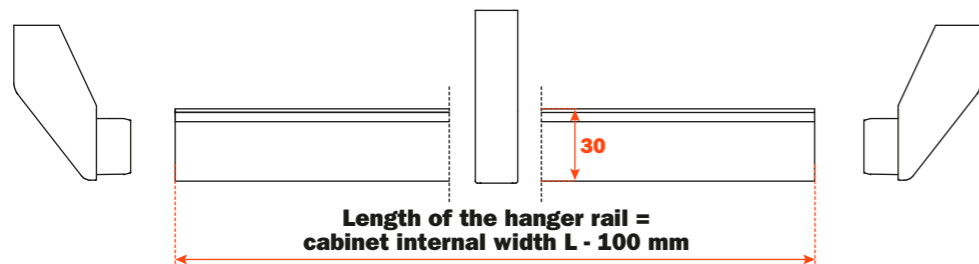
- Hanger rail material: epoxy-coated aluminium, section 15 x 30 mm
- Supports material: epoxy-coated die-cast
- Finish: metal grey brown
- Packing: 20 pieces per box
- Use M6 screw, screws not included
- Screw length = shelf thickness + min. 10 mm/max. 15 mm
- Custom-tailored hanger rail available when ordering more than 20 pieces



L = Cabinet width



Centre support needed for hanger rails with length above 1200 mm or loads of more than 15 kg



- VE80DAHA0133B** = Hanger rail for clothes, length 1000 mm
- VE80DAHA0233B** = Hanger rail for clothes, length 1500 mm
- VE80GMRA00833B** = End supports for hanger rail (without back cover)
- VE80GMRA01633B** = End supports for hanger rail (with back cover)
- VE80GMRA00933B** = Centre support for hanger rail

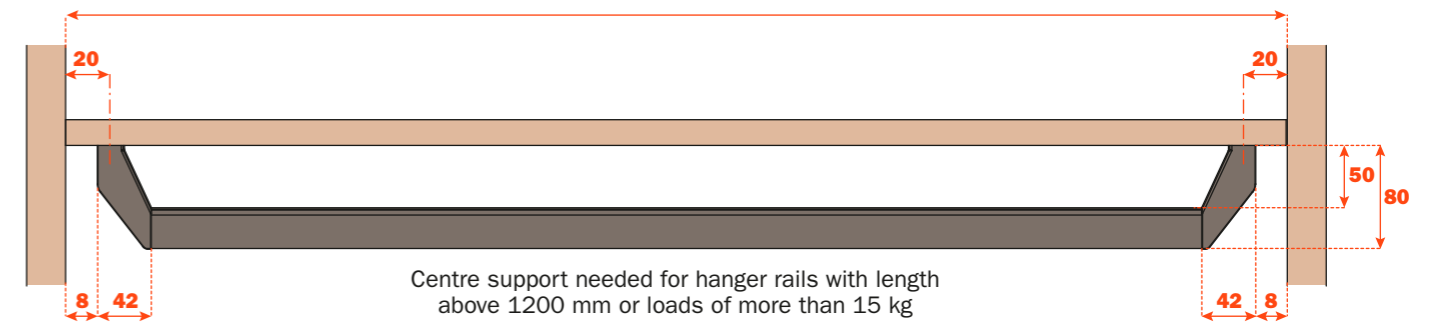
FIXING UNDER THE SHELF

Hanging rail for clothes hangers with support brackets, for wooden shelf

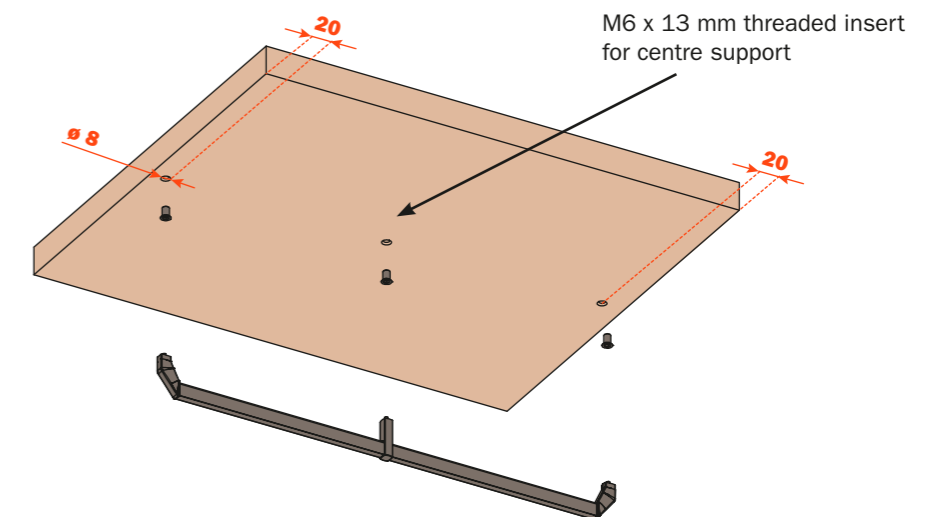
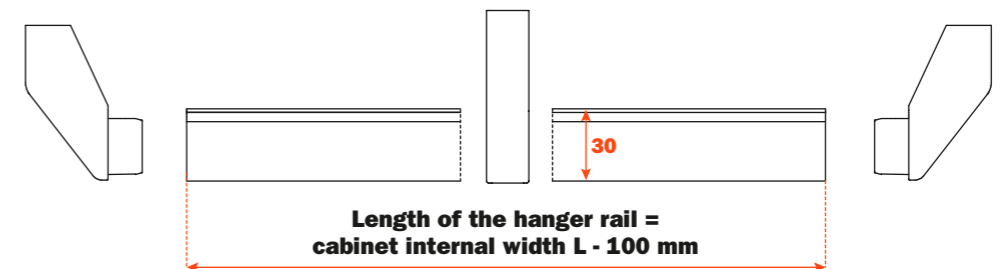
- Hanger rail material: epoxy-coated aluminium, section 15 x 30 mm
- Supports material: epoxy-coated die-cast
- Finish: metal grey brown
- Packing: 20 pieces per box, threaded inserts and pins included
- Custom-tailored hanger rail available when ordering more than 20 pieces



L = Cabinet width



Centre support needed for hanger rails with length above 1200 mm or loads of more than 15 kg



Drill the shelf and screw in the threaded inserts

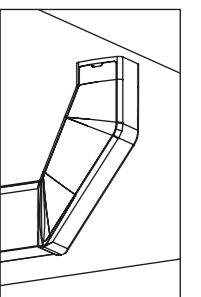
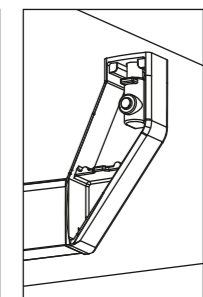
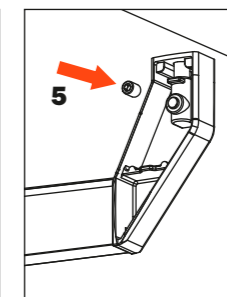
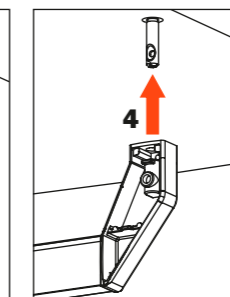
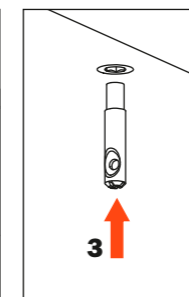
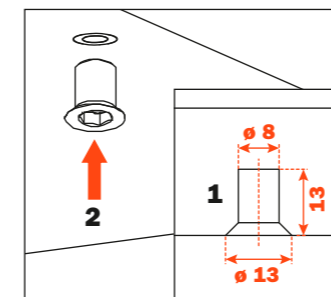
Insert the pins into the threaded inserts

Insert the support brackets

Tighten the grub screws

Version without back cover

Version with back cover

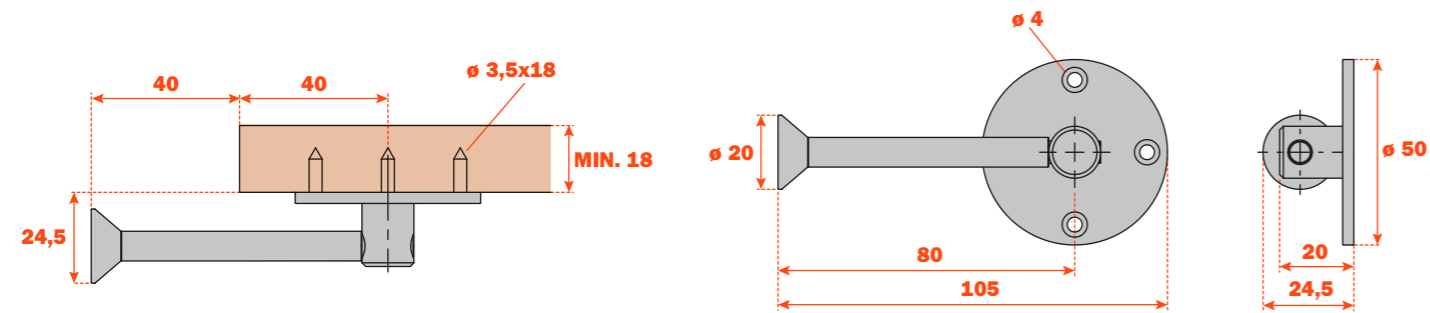


Excessories - hang

VE80DAVA0480B

Swivel hanger fixed under the shelf

- Load capacity: 10 Kg
- Material: steel
- Finish: nickel
- Packing: 20 pieces per box

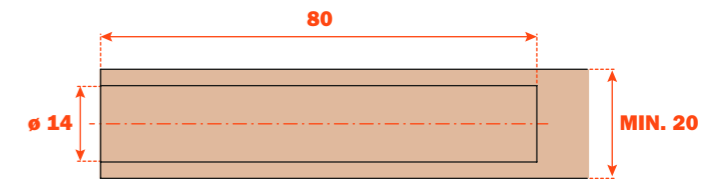
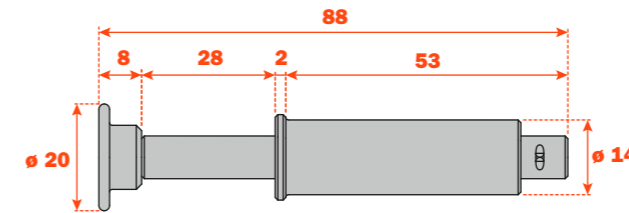
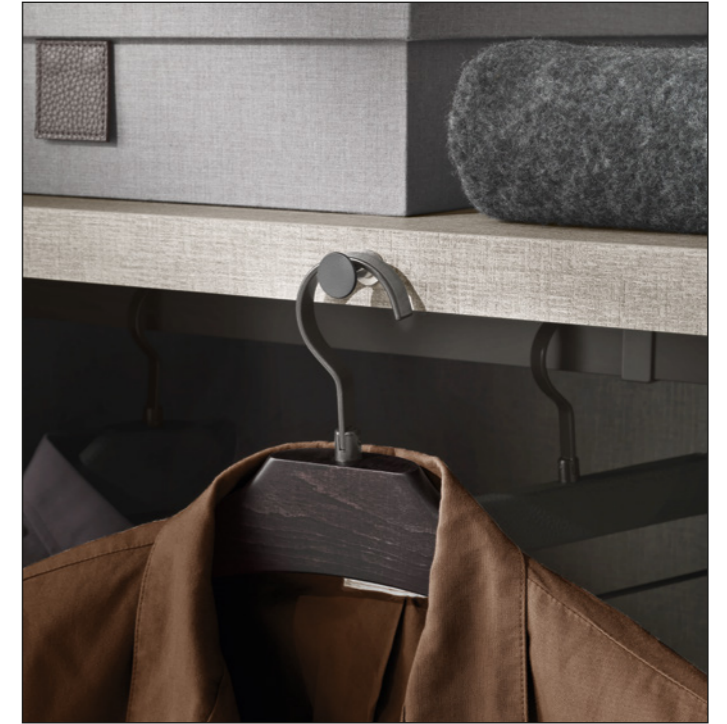


VE80DAVA0180B = Cap in nickel finish

VE80DAVA10C3B = Cap in metal grey brown finish

Pull-out hanger

- Load capacity: 10 Kg
- Material: steel
- Finish: nickel
- Packing: 20 pieces per box





Protect

Excessories - protect

VE80DAQA01__B

Finish code number on page 77

Coat-holder bag with pleats. Buttons made of wenge-dyed olive wood

- To be used folded for jackets and loose for suits and coats
- Material: fabric 100% cotton
- External dimensions (mm): 970 folded, 1200 loose
- Packing: 4 pieces per box



FINISHES

Excessories - protect - Fabric 100% cotton

STONEWARE GREY
finish available in stock*



BRICK BROWN
finish on request



NATURAL LINEN
finish on request



*finishes available in stock, while stocks last

Code Composition (example):

VE80DAQA01__B

90 = STONEWARE GREY
91 = BRICK BROWN
93 = NATURAL LINEN



Contain

Excessories - contain

VE80DFLA01__B

Finish code number on page 75

Tray with tab made of imitation leather

- Material: fabric
- Dimensions (mm): 350x400 H 80
- Packing: 3 pieces per box



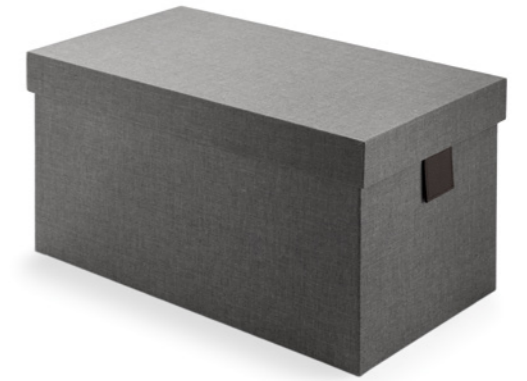
VE80DFFA01__B = Bottom Part number

VE80DFDA01__B = Top Part number

Finish code number on page 75

Box with tab made of imitation leather

- Material: fabric
- Bottom dimensions (mm): 250x465 H 255
- Top dimensions (mm): 260x480 H 50
- Packing: 3 pieces per box

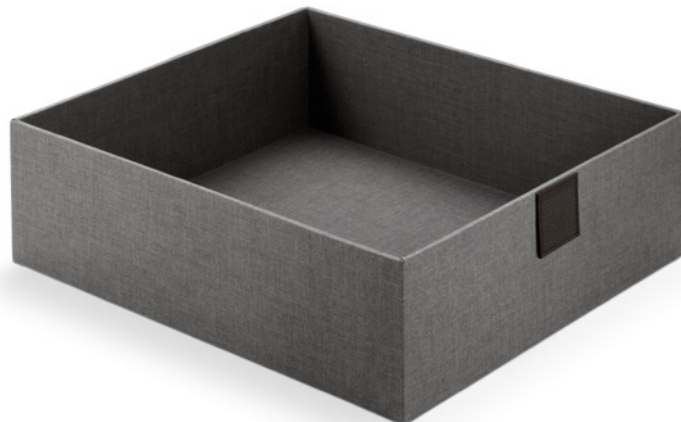


VE80DFLA02__B

Finish code number on page 75

Tray with tab made of imitation leather

- Material: fabric
- Dimensions (mm): 350x400 H 120
- Packing: 3 pieces per box



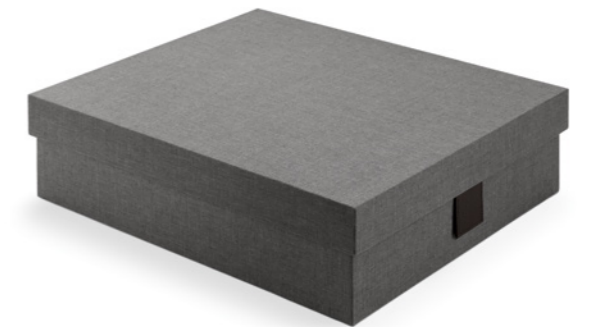
VE80DFFA02__B = Bottom Part number

VE80DFDA02__B = Top Part number

Finish code number on page 75

Box with tab made of imitation leather

- Material: fabric
- Bottom dimensions (mm): 390x465 H 125
- Top dimensions (mm): 400x480 H 50
- Packing: 3 pieces per box



Excessories - contain

VE80DFFA03__B = Bottom Part number
VE80DFDA02__B = Top Part number
 Finish code number on page 75

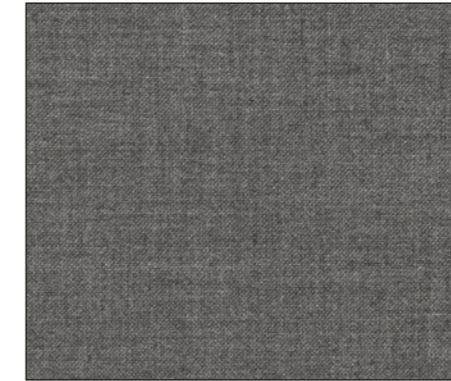
Box with tab made of imitation leather
 - Material: fabric
 - Bottom dimensions (mm): 390x465 H 255
 - Top dimensions (mm): 400x480 H 50
 - Packing: 3 pieces per box



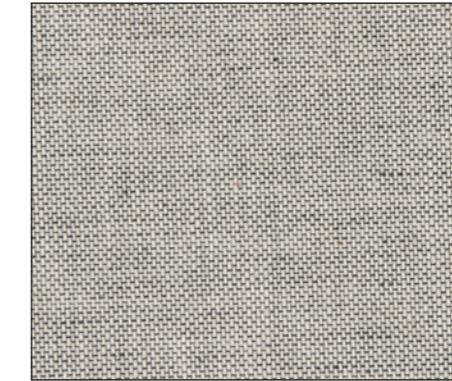
FINISHES

Excessories - contain - Fabric

TASMANIA GREY
 finish available in stock*



FLAX GREY
 finish available in stock*



EARTH BROWN
 finish available in stock*



PUMPKIN ORANGE
 finish on request



PEARLESCENT BRICK
 finish on request



UNBLEACHED LINEN
 finish on request



*finishes available in stock, while stocks last

Code composition (exemple):

VE80DFCA01__B

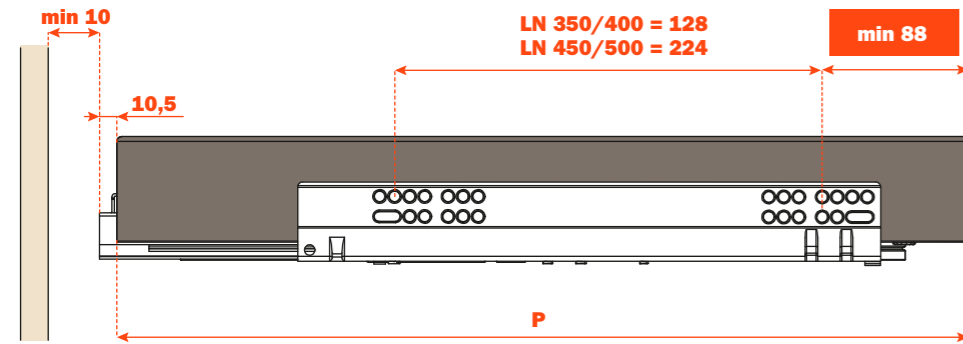
C1 = TASMANIA GREY + MOKA BROWN IMITATION LEATHER
C2 = FLAX GREY + MOKA BROWN IMITATION LEATHER
C9 = EARTH BROWN + MOKA BROWN IMITATION LEATHER
C5 = PUMPKIN ORANGE + MOKA BROWN IMITATION LEATHER
C8 = PEARLESCENT BRICK + MOKA BROWN IMITATION LEATHER
C10 = UNBLEACHED LINEN + MOKA BROWN IMITATION LEATHER



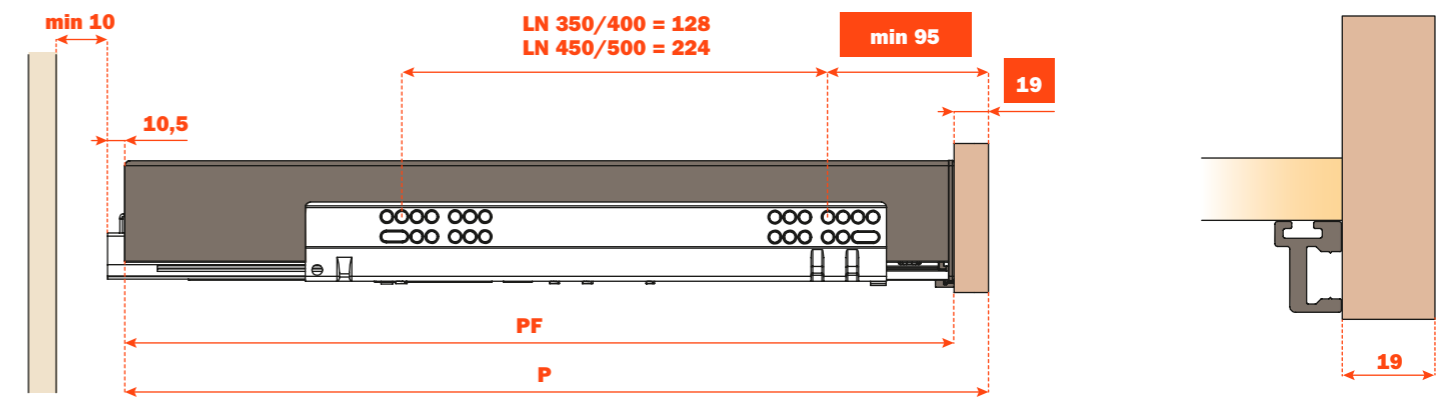
Pull-out - Custom-made

Excessories - pull-out - technical information

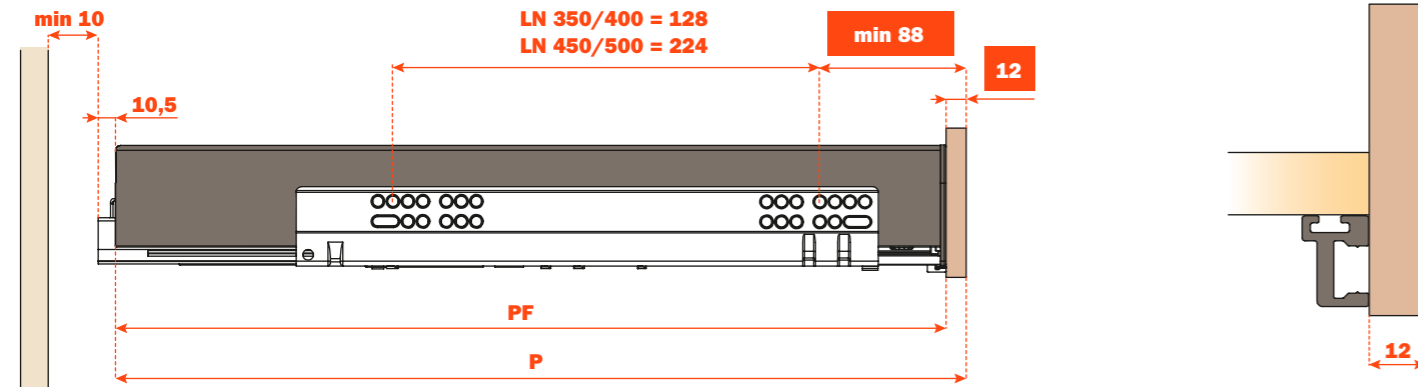
4-SIDED drawer



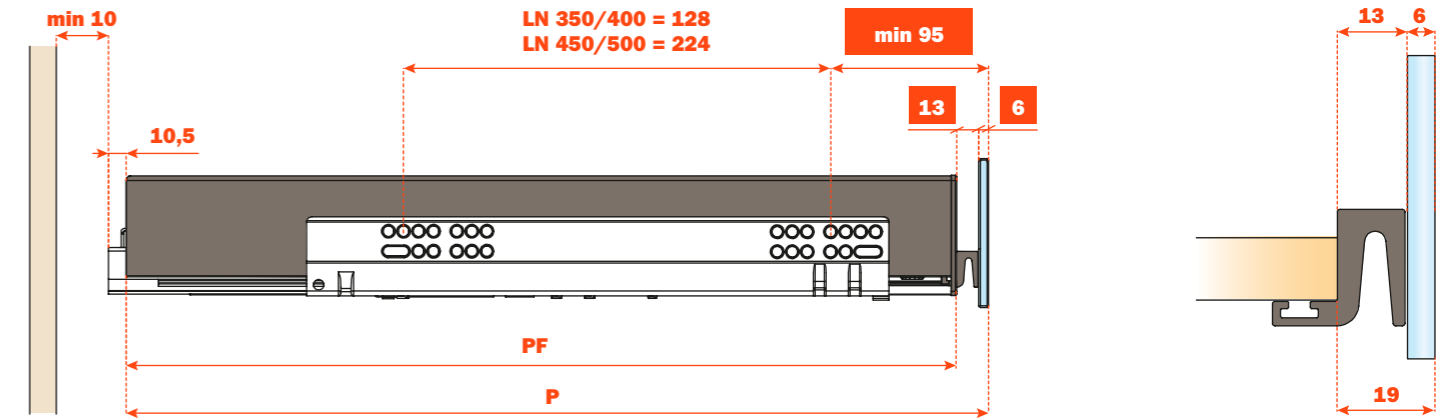
3-SIDED drawer For wooden frontal, 19 mm thick



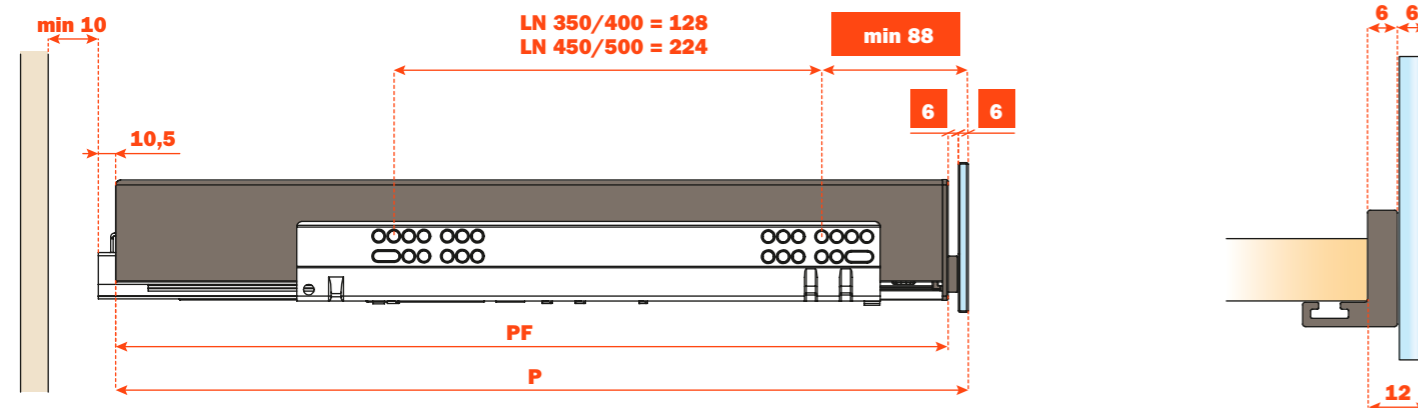
3-SIDED drawer For wooden frontal, 12 mm thick



3-SIDED drawer For glass frontal, 6 mm thick + profile, 13 mm thick



3-SIDED drawer For glass frontal, 6 mm thick + profile, 6 mm thick

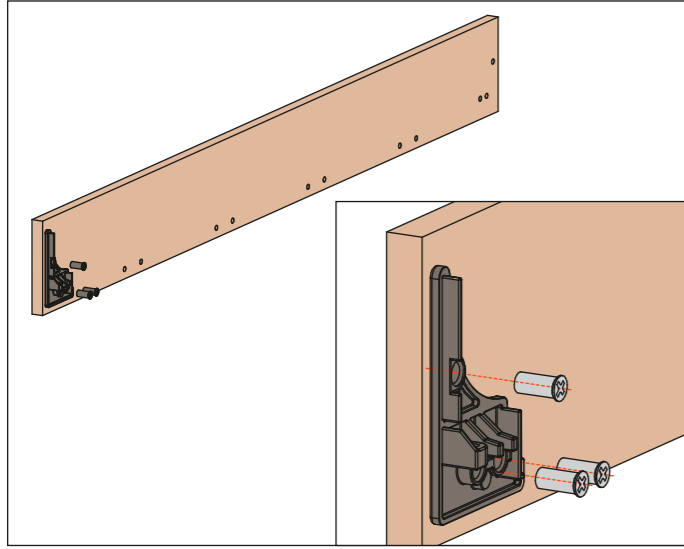


Runner length (LN) mm	Drawer depth (PF) mm	4-SIDED Drawer depth (P) mm	3-SIDED drawer depth (P) mm + wooden frontal, 12 mm thick or glass frontal, 6+6 mm thick	3-SIDED drawer depth (P) mm + wooden frontal, 19 mm thick or glass frontal, 6+13 mm thick
350	378	390	390	397
400	428	440	440	447
450	478	490	490	497
470	498	510	510	517
500	528	540	540	547

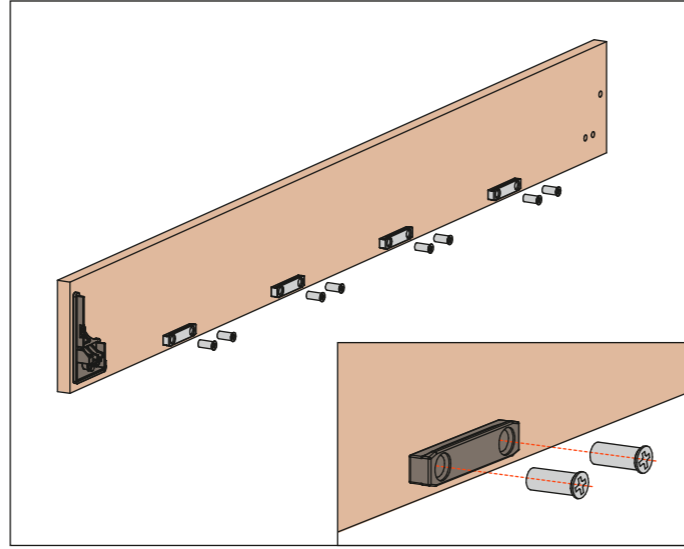
Excessories - pull-out - assembly instructions

WOODEN FRONTAL

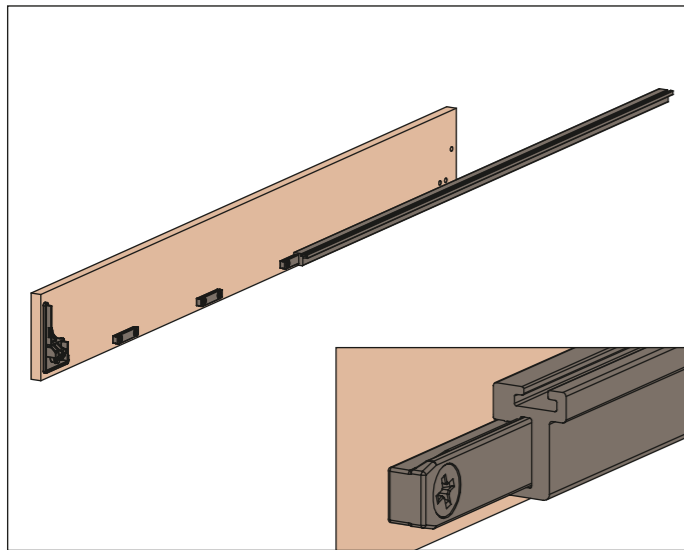
1. Screw the first cap to the frontal



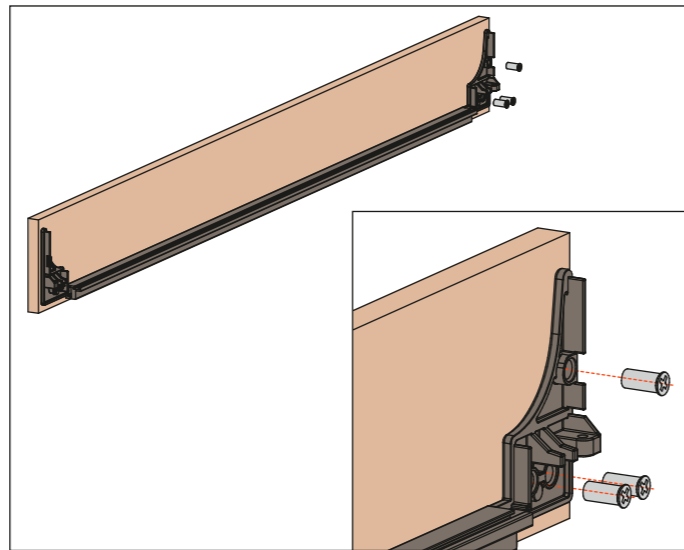
2. Screw the connecting elements to the frontal



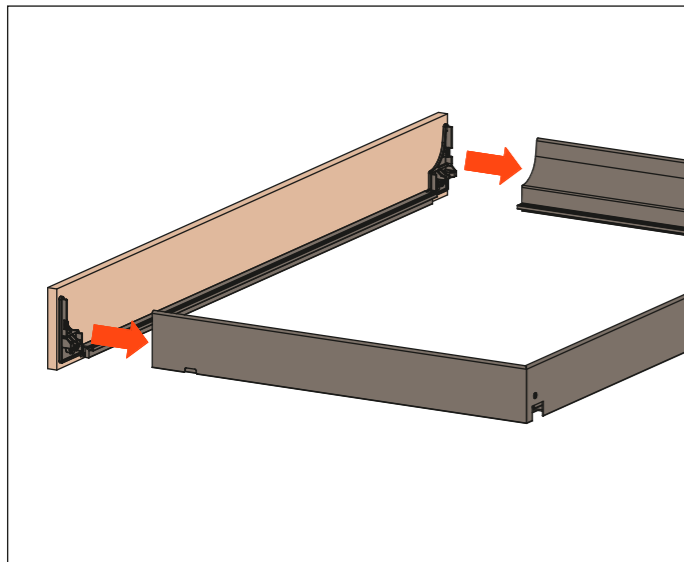
3. Insert and slide the front profile on the connecting elements



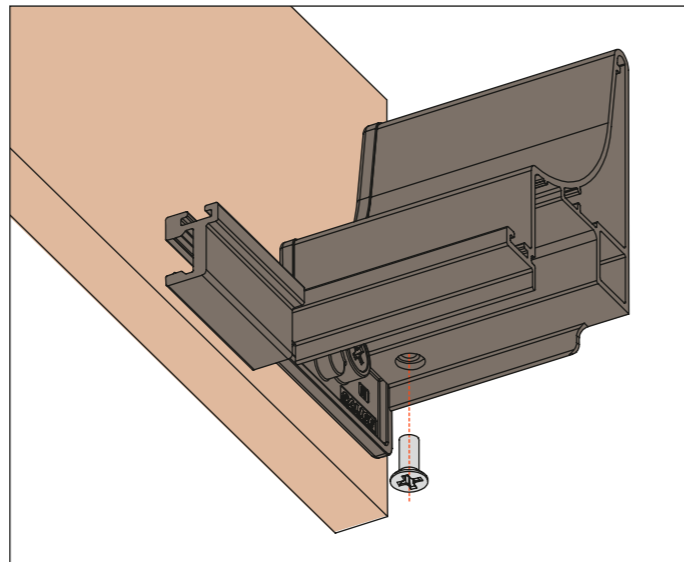
4. Screw the second cap to the frontal



5. Insert the caps in both sides

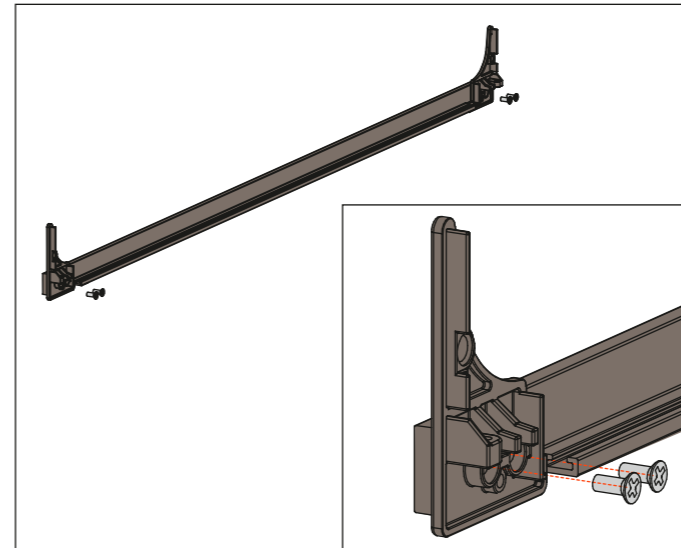


6. Fix the frontal to the drawer

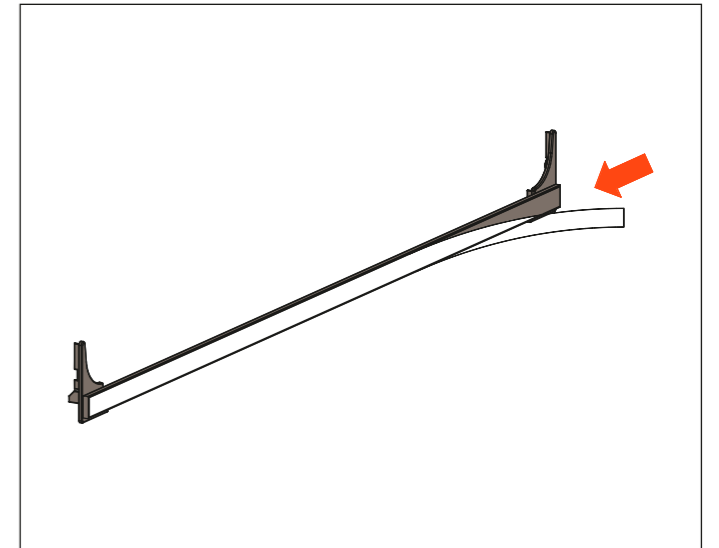


GLASS FRONTAL

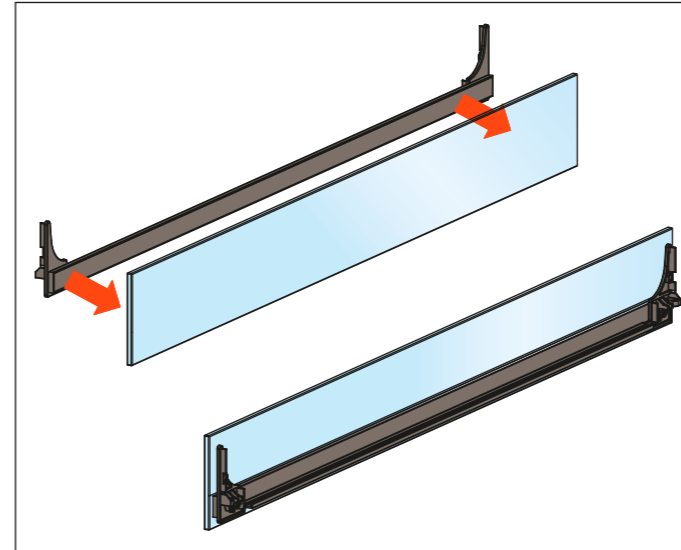
1. Fix the end caps to the front profile



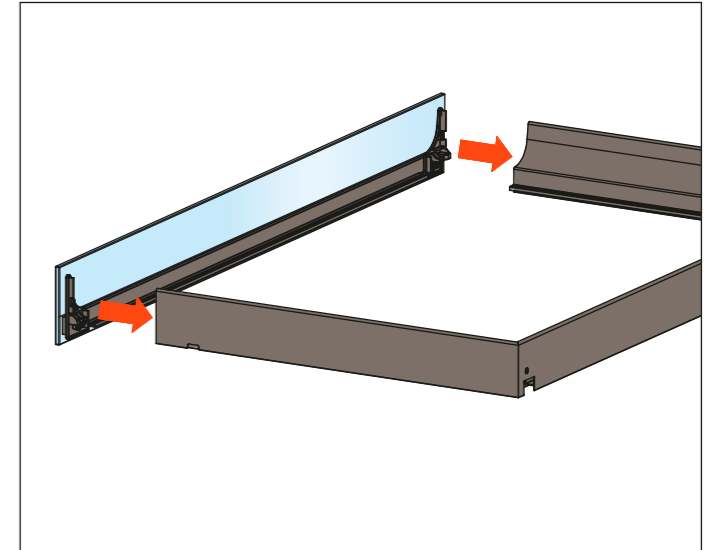
2. Remove the protective film from the adhesive tape that is pre-glued to the profile



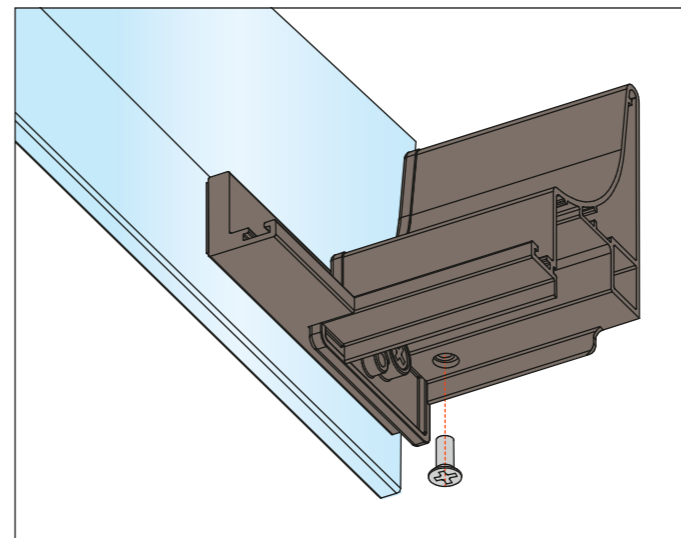
3. Press the profile firmly onto the glass



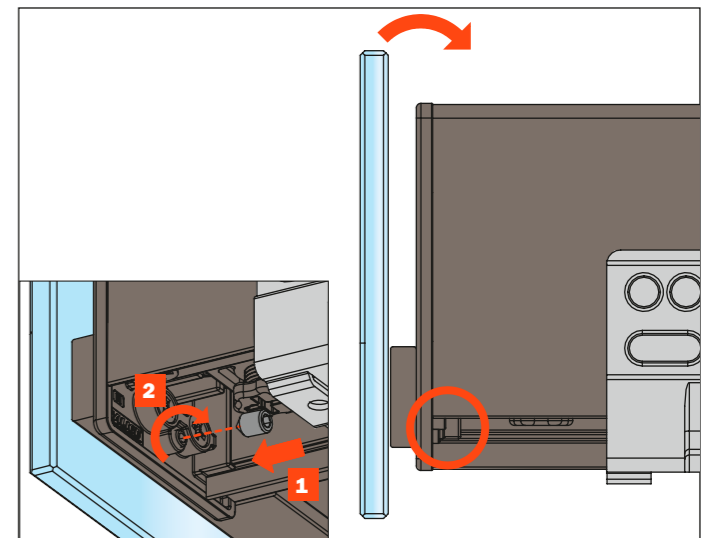
4. Profile fixed to the glass



5. Insert the end caps into the drawer side profile



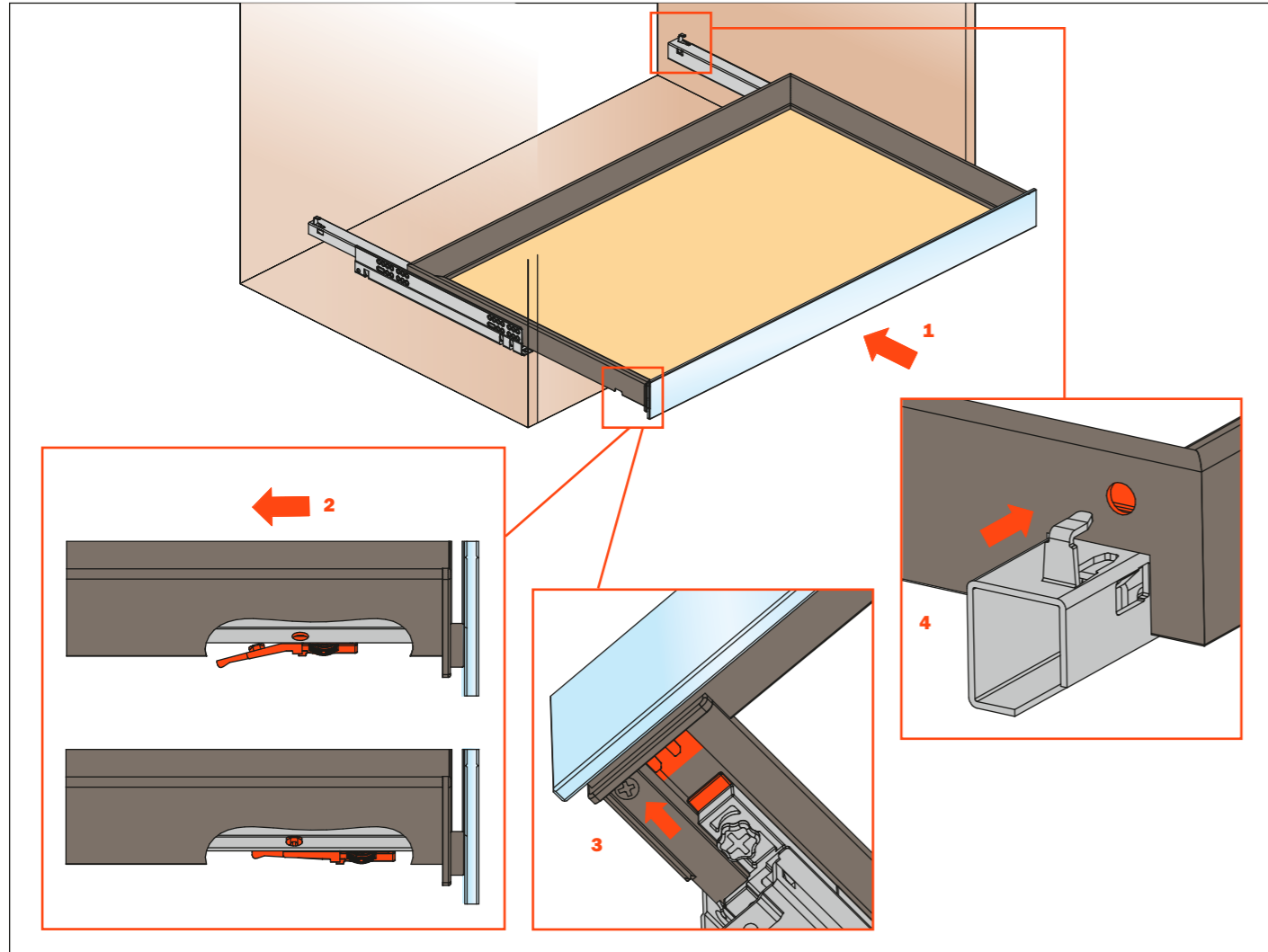
6. Insert the grub screws and rotate them to adjust the frontal



Excessories - pull-out - technical information

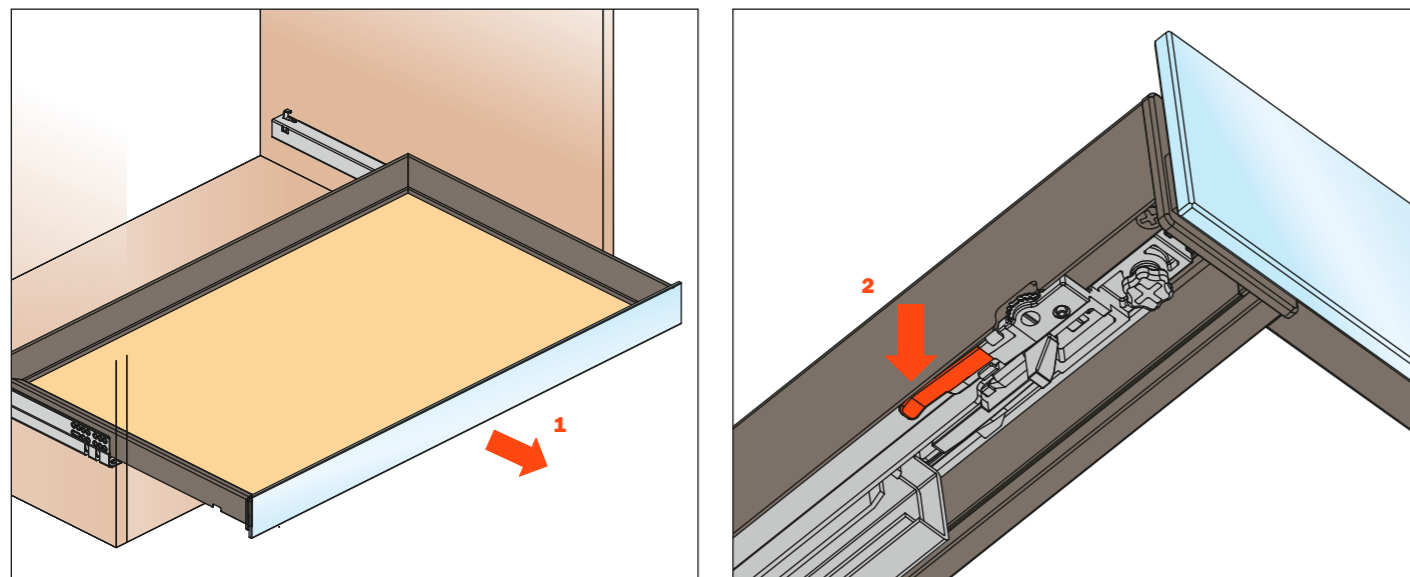
Mounting the drawer onto the runners

1. Place the drawer on the runners and close it
2. The flexibility of the fixing system enables the clips to engage
3. Engage the locking pin to prevent the overturning of the drawer
4. Locate the rear hooks



Disassembly of the drawer

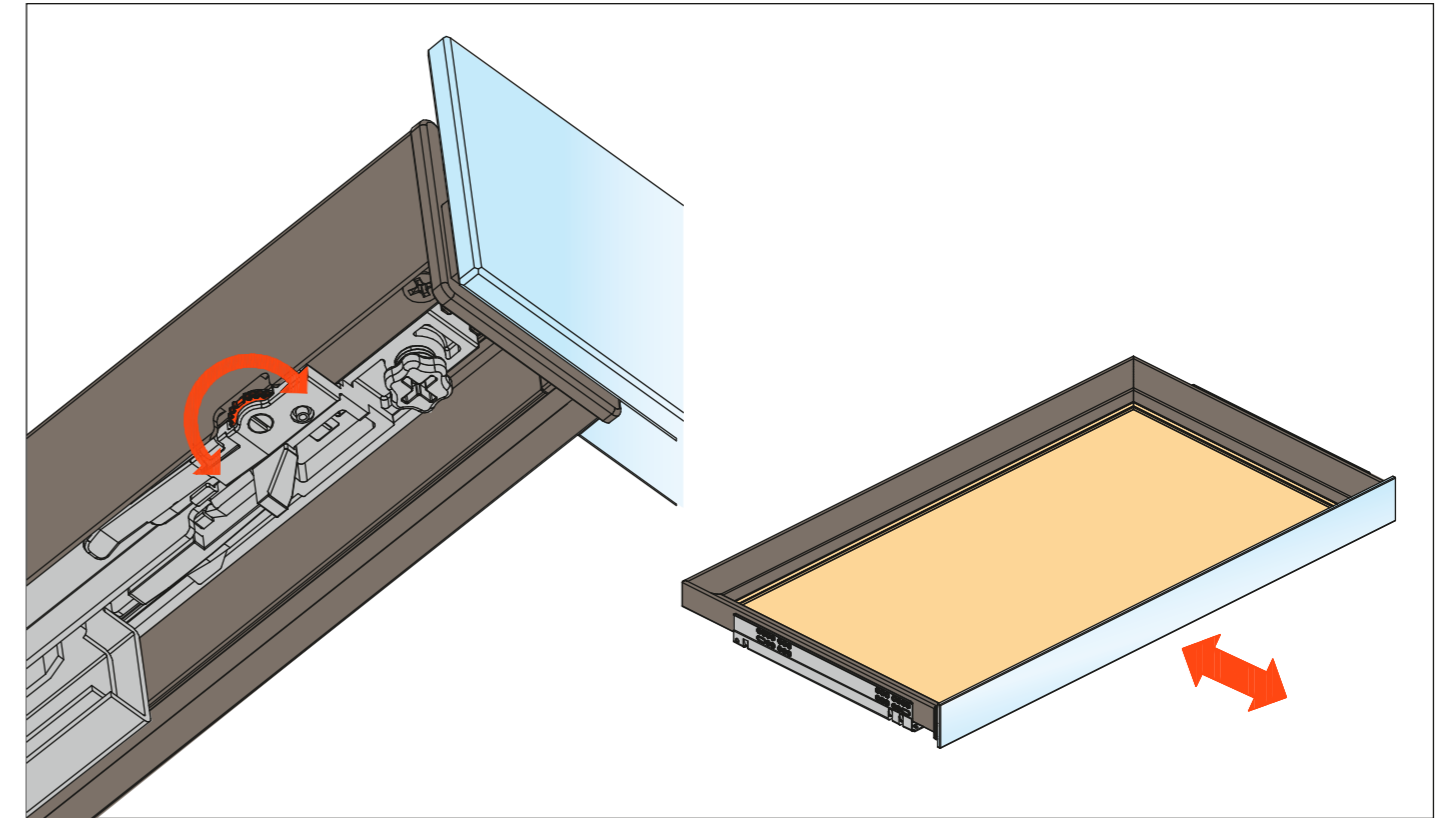
1. Open the drawer
2. Press down the lever indicated here below and pull out the drawer



Adjustments

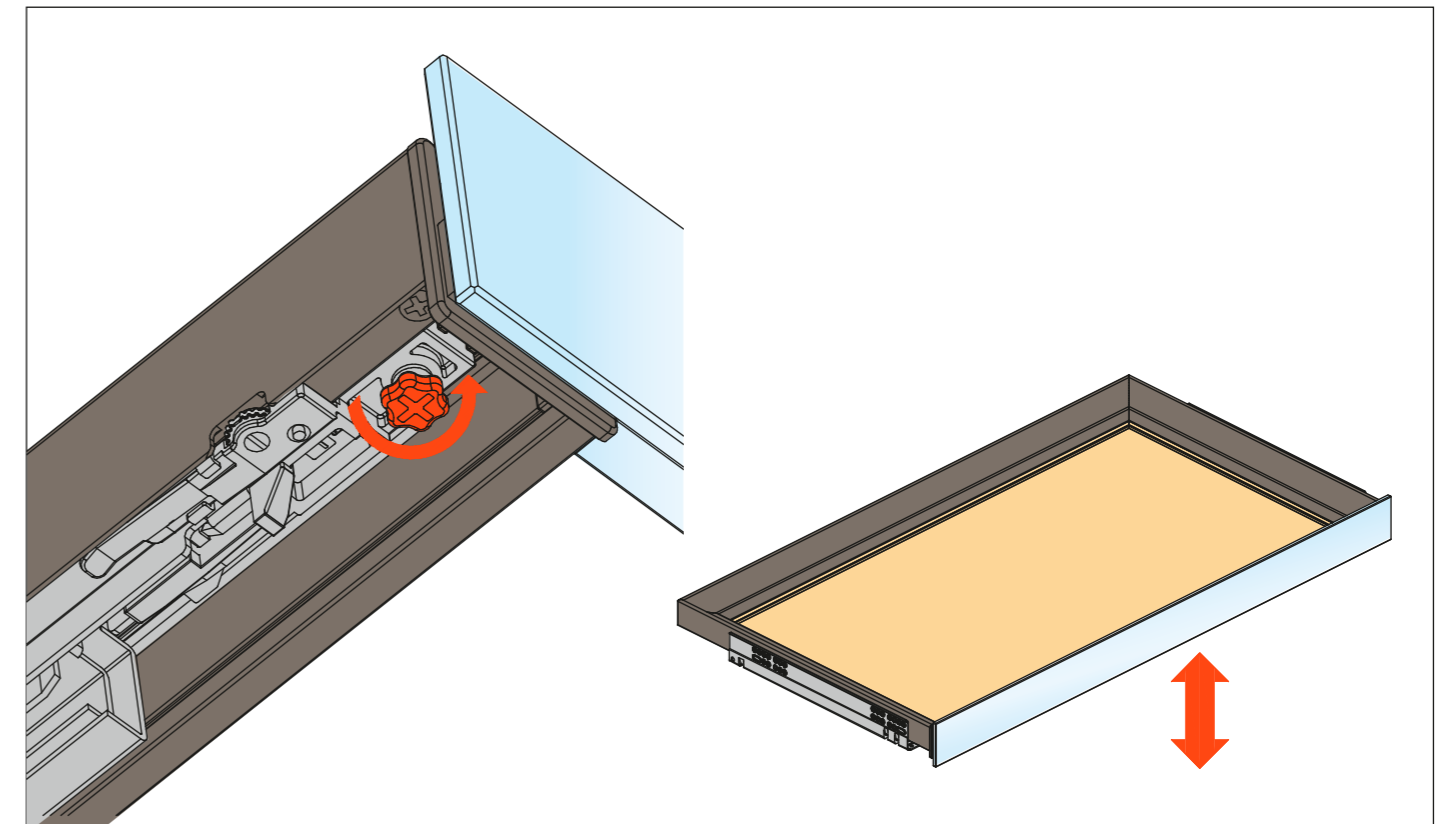
Depth adjustment +2 -2 mm

Rotate the wheel towards the front of the drawer to move the drawer forward.
Rotate the wheel towards the back of the drawer to move the drawer backward.
This operation is tool free.



Height adjustment + 5 mm

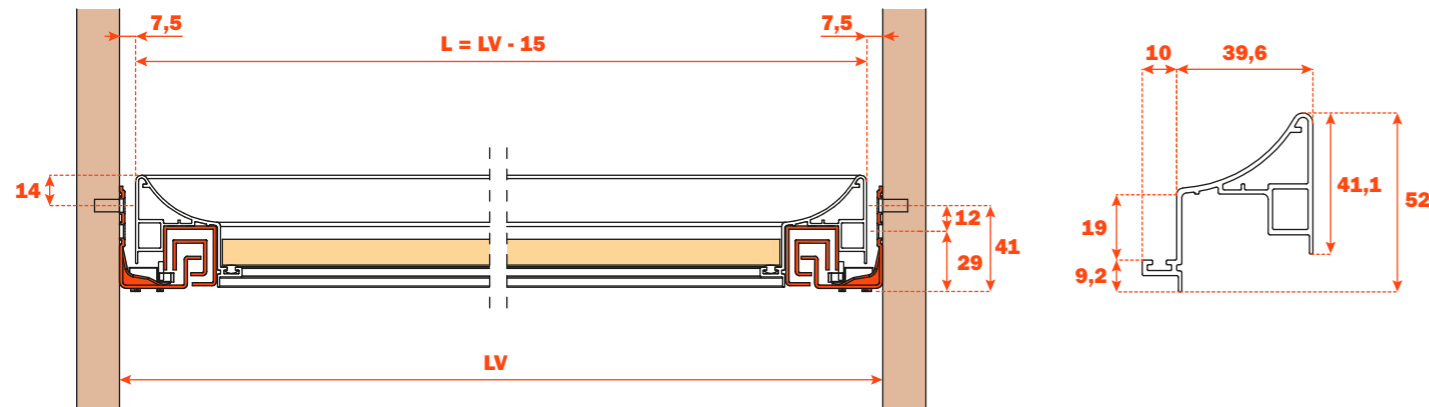
Rotate the lever towards the front of the drawer for the height adjustment.
This operation is tool free.



Excessories - pull-out - 3-sided drawer H 52 - wooden frontal

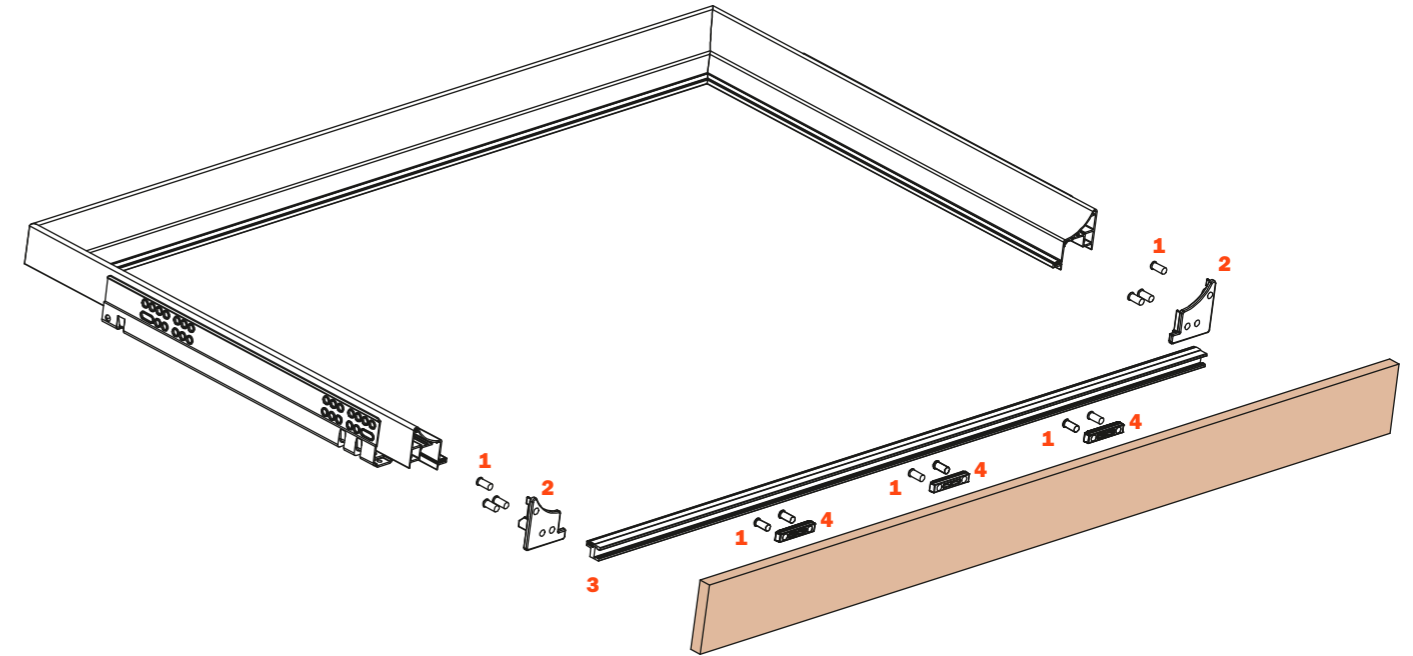
Aluminium 3-sided drawer H 52 WOODEN FRONTAL H 75

- Profile height: 52 mm
- Max. drawer width: 1500 mm
- Material: epoxy-coated aluminium
- Finish: metal grey brown
- Equipped with full-extension Futura runners
- Integrated height and depth adjustments
- Equipped with anti-tipping device
- The drawers are supplied assembled complete with the gasket needed to hold in place the drawer bottom and accessories
- Frontal and bottom not included
- Bottom can be made of wood or glass

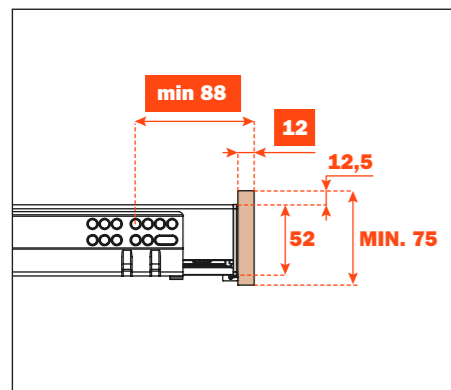


Kit for the frontal fixing (to be ordered separately)

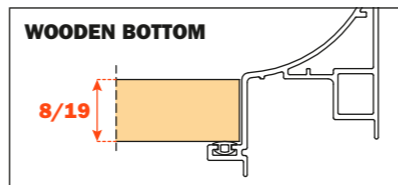
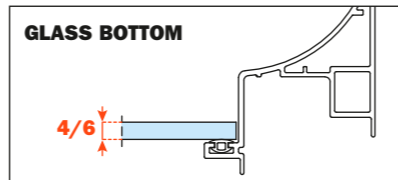
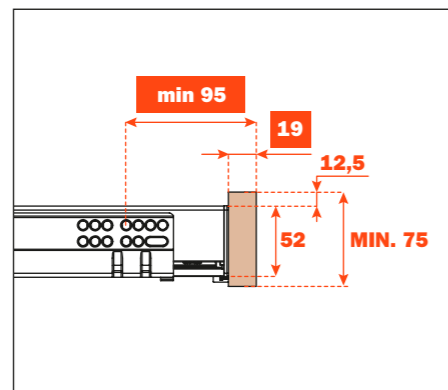
1. 6,3x14 mm TPSV Euro screws
2. Fixing caps
3. Aluminium profile
4. Connecting elements



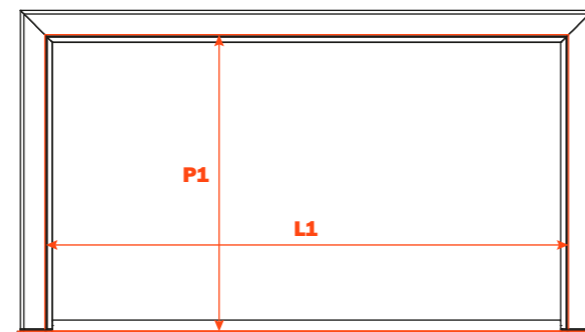
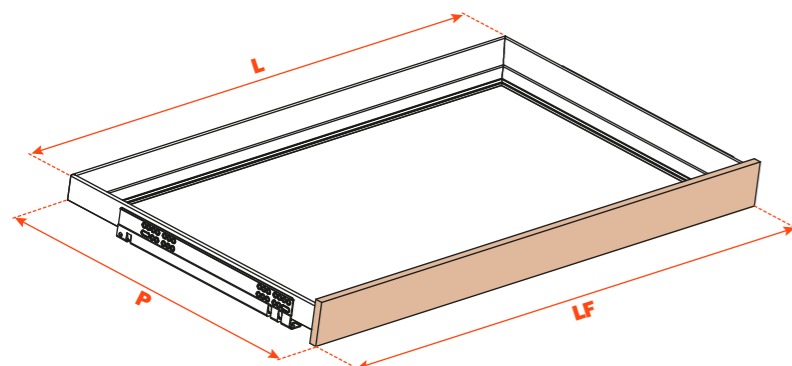
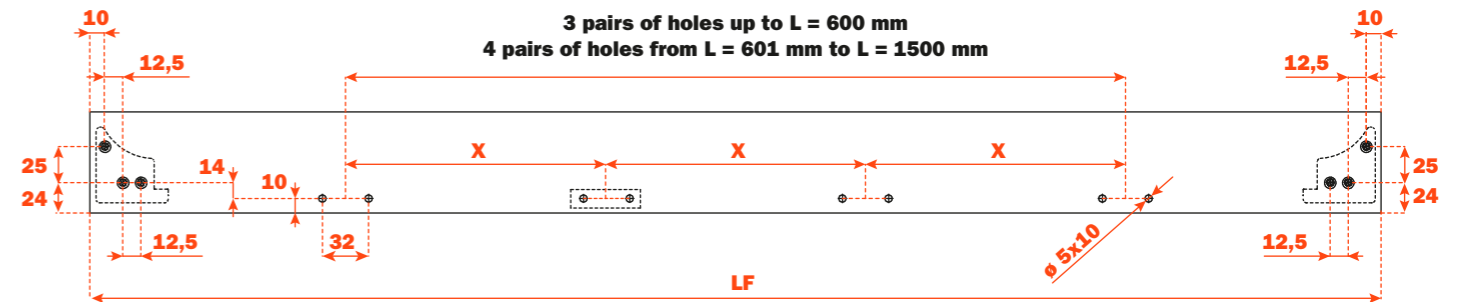
ASSEMBLY WITH WOODEN FRONTAL, 12 mm THICKNESS



ASSEMBLY WITH WOODEN FRONTAL, 19 mm THICKNESS



Frontal drilling

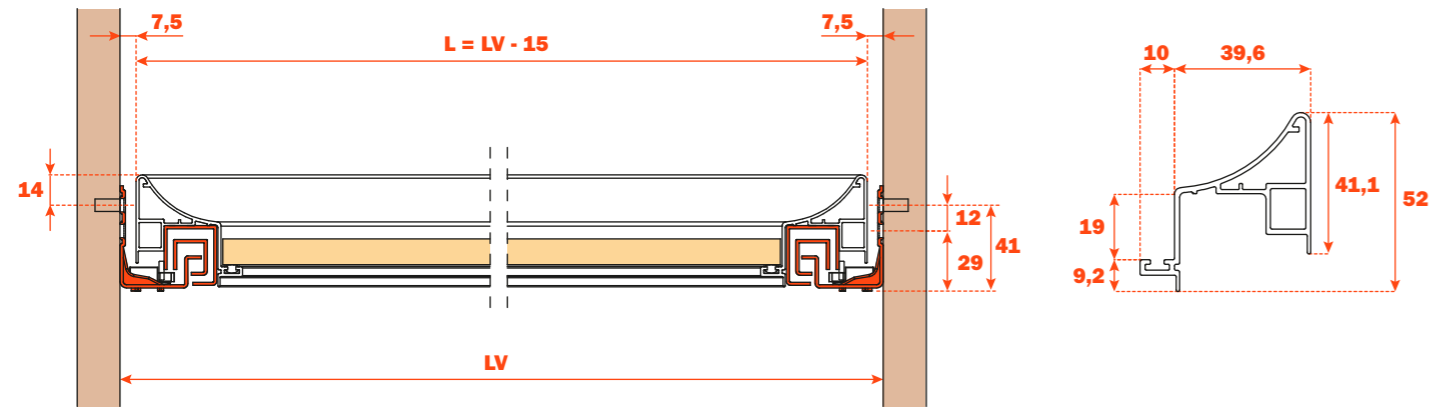


Runner length (LN) mm	Drawer width (L) mm	Frontal width (LF) mm	Internal width (L1) mm	Drawer depth (P) mm + wooden frontal 12 mm	Drawer depth (P) mm + wooden frontal 19 mm	Internal depth (P1) mm
350	LV - 15	LV - 6	L - 80	390	397	338
400				440	447	388
450				490	497	438
470				510	517	458
500				540	547	488

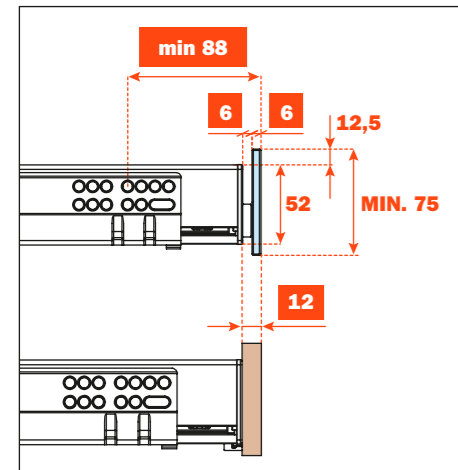
Excessories - pull-out - 3-sided drawer H 52 - glass frontal

Aluminium 3-sided drawer H 52 GLASS FRONTAL H 75

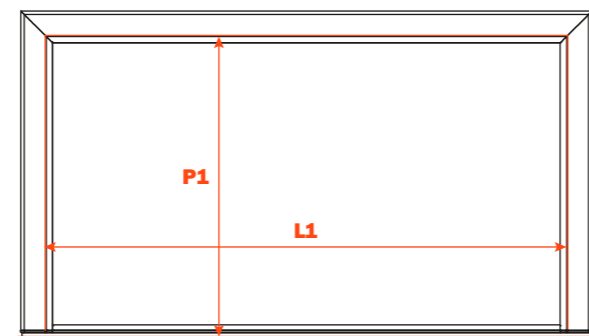
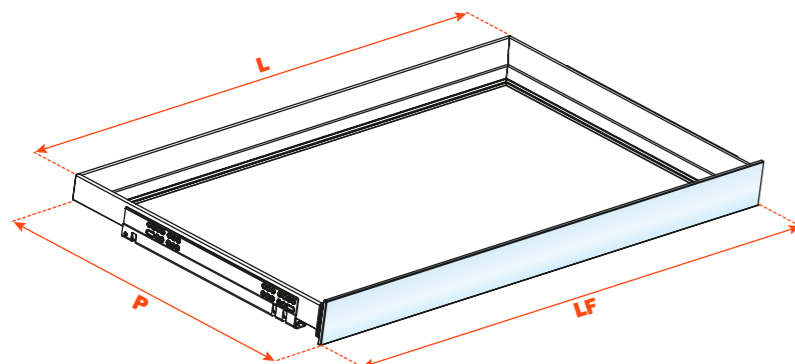
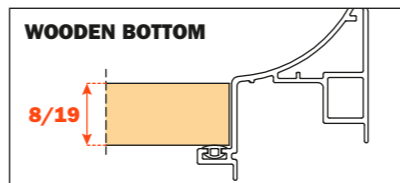
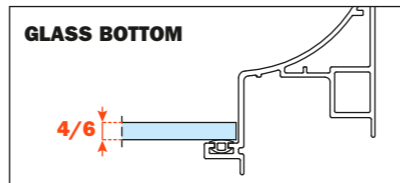
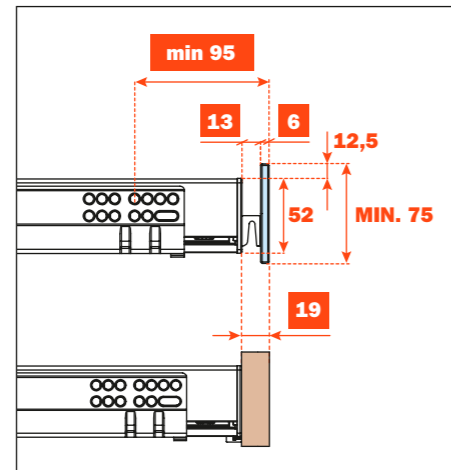
- Profile height: 52 mm
- Max. drawer width: 1500 mm
- Material: epoxy-coated aluminium
- Finish: metal grey brown
- Equipped with full-extension Futura runners
- Integrated height and depth adjustments
- Equipped with anti-tipping device
- The drawers are supplied assembled complete with the gasket needed to hold in place the drawer bottom and accessories
- Glass frontal upon request, bottom not included
- Bottom can be made of wood or glass



ASSEMBLY WITH ALUMINIUM PROFILE 6 mm THICKNESS. ALIGNMENT WITH WOODEN FRONTAL 12 mm THICKNESS

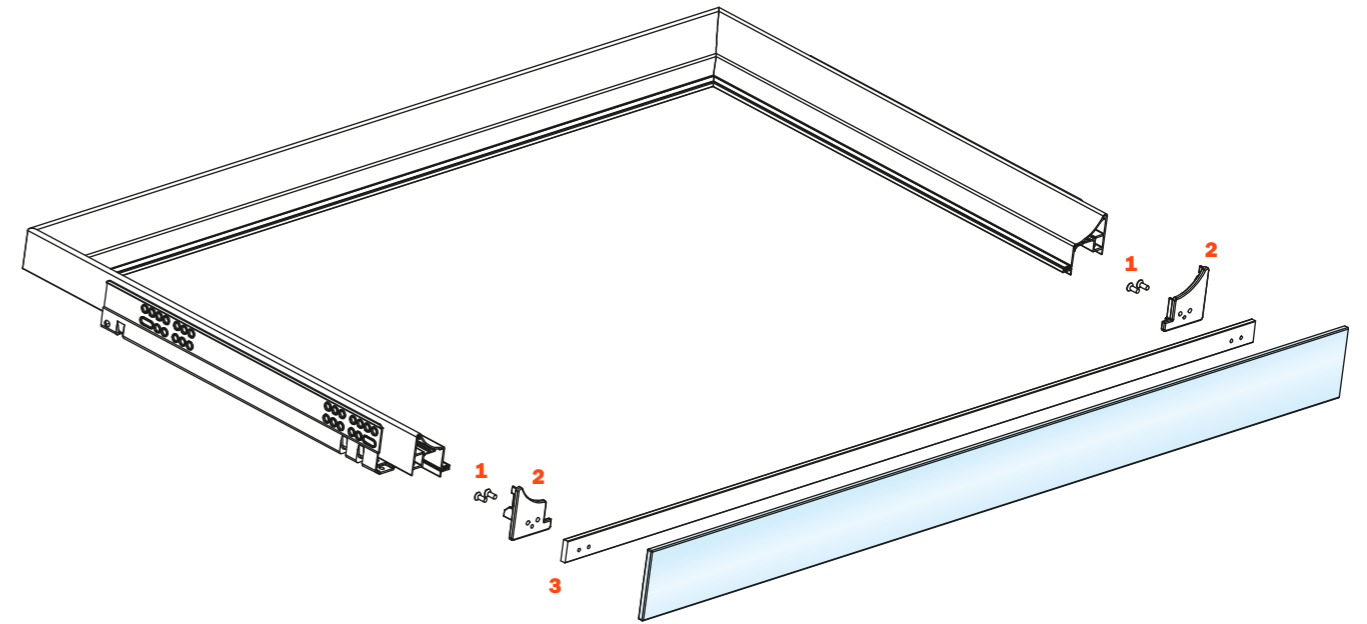


ASSEMBLY WITH ALUMINIUM PROFILE 13 mm THICKNESS. ALIGNMENT WITH WOODEN FRONTAL 19 mm THICKNESS

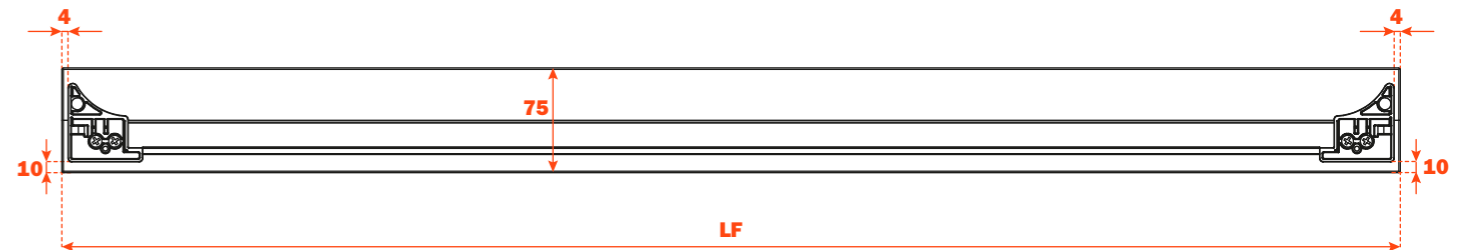


Kit for the frontal fixing (to be ordered separately)

1. M 4x10 mm screws
2. Fixing caps
3. Aluminium profile with adhesive tape for fixing on the frontal



Fixing the profile to the frontal



GLASS FRONTAL, 6 mm THICKNESS - ALUMINIUM PROFILE, 6 mm THICKNESS

Runner length (LN) mm	Drawer width (L) mm	Frontal width (LF) mm	Internal width (L1) mm	Drawer depth (P) mm	Internal depth (P1) mm
350	LV - 15	LV - 6	L - 80	390	338
400				440	388
450				490	438
470				510	458
500				547	488

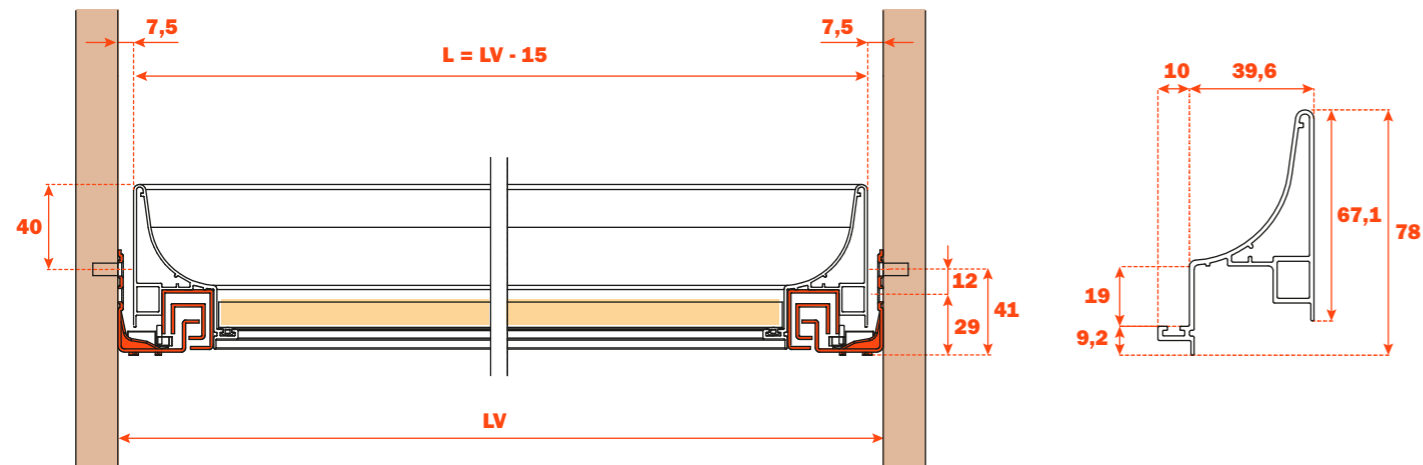
GLASS FRONTAL, 6 mm THICKNESS - ALUMINIUM PROFILE, 13 mm THICKNESS

Runner length (LN) mm	Drawer width (L) mm	Frontal width (LF) mm	Internal width (L1) mm	Drawer depth (P) mm	Internal depth (P1) mm
350	LV - 15	LV - 6	L - 80	397	338
400				447	388
450				497	438
470				517	458
500				547	488

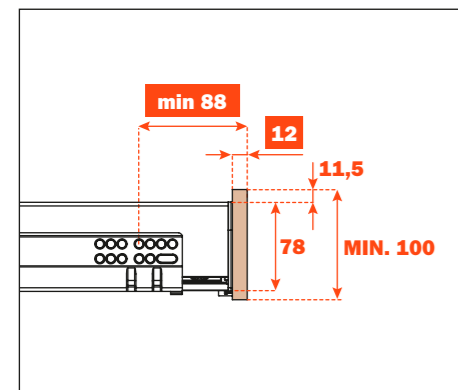
Excessories - pull-out - 3-sided drawer H 78 - wooden frontal

Aluminium 3-sided drawer H 78 WOODEN FRONTAL H 100

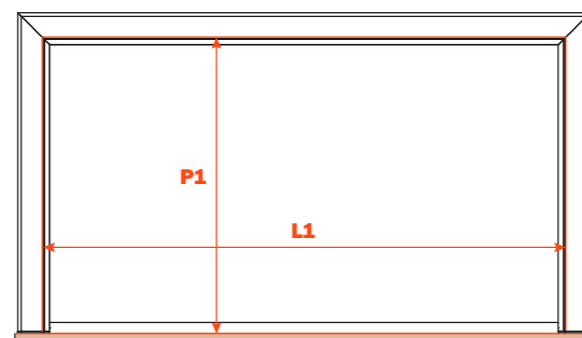
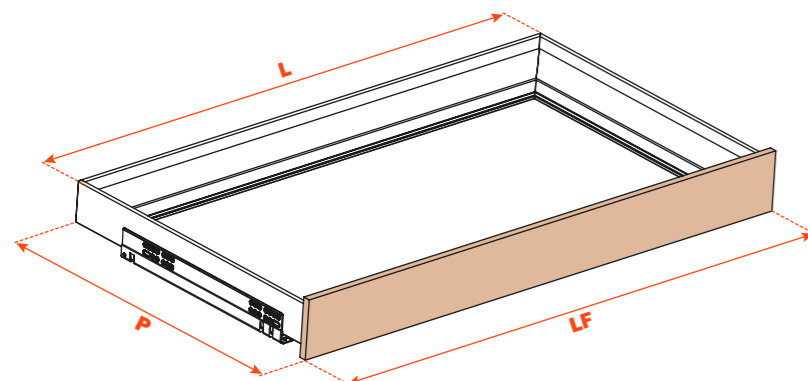
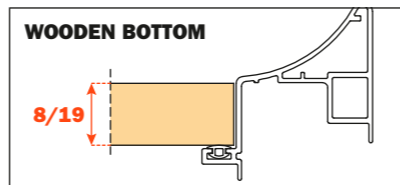
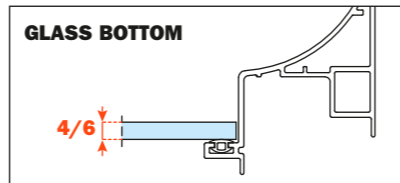
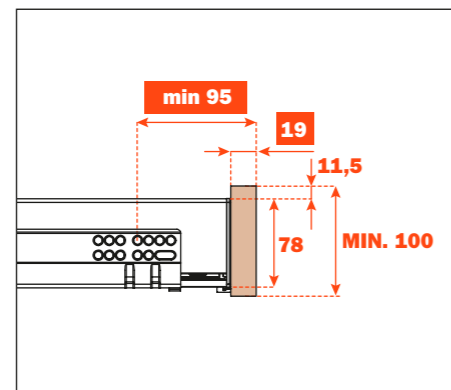
- Profile height: 78 mm
- Max. drawer width: 1500 mm
- Material: epoxy-coated aluminium
- Finish: metal grey brown
- Equipped with full-extension Futura runners
- Integrated height and depth adjustments
- Equipped with anti-tipping device
- The drawers are supplied assembled complete with the gasket needed to hold in place the drawer bottom and accessories
- Frontal and bottom not included
- Bottom can be made of wood or glass



ASSEMBLY WITH WOODEN FRONTAL,
12 mm THICKNESS

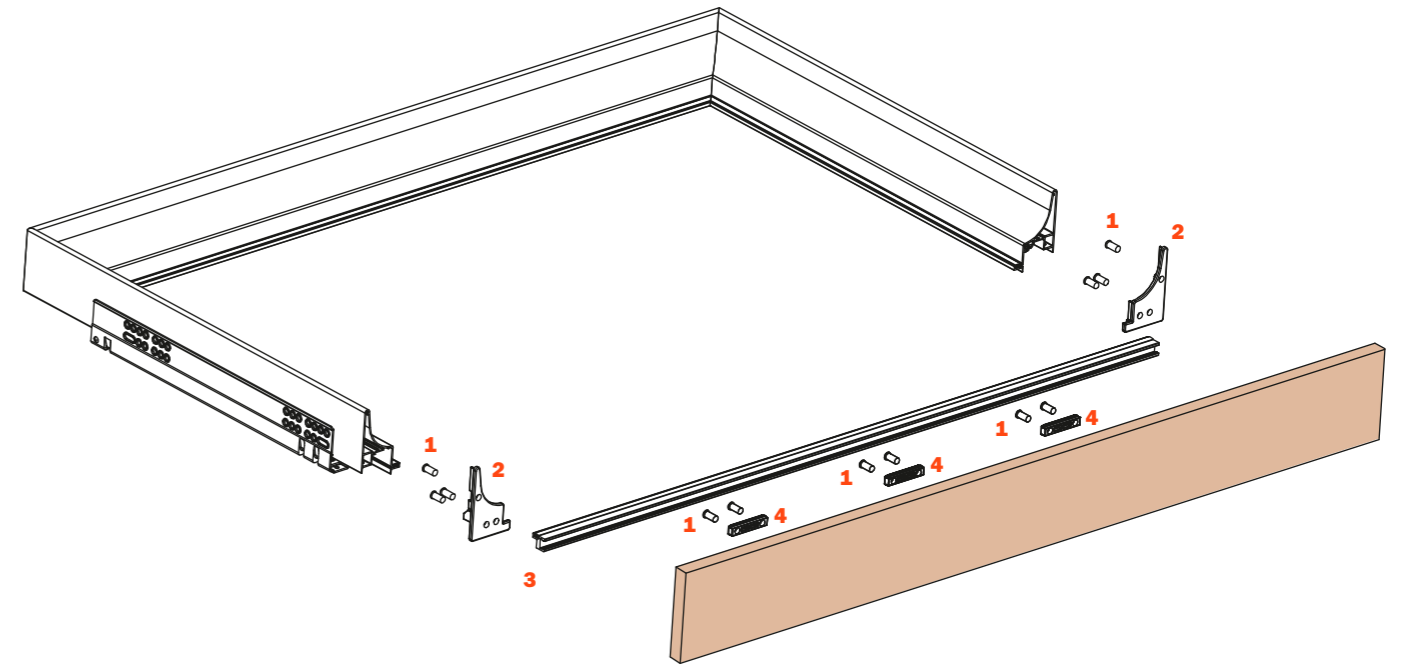


ASSEMBLY WITH WOODEN FRONTAL,
19 mm THICKNESS

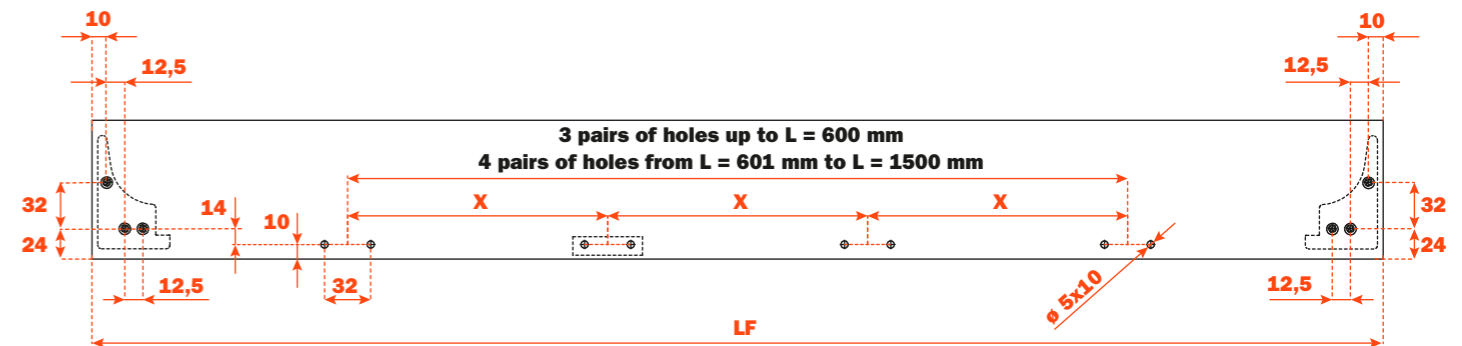


Kit for the frontal fixing (to be ordered separately)

1. 6,3x14 mm TPSV Euro screws
2. Fixing caps
3. Aluminium profile
4. Connecting elements



Frontal drilling

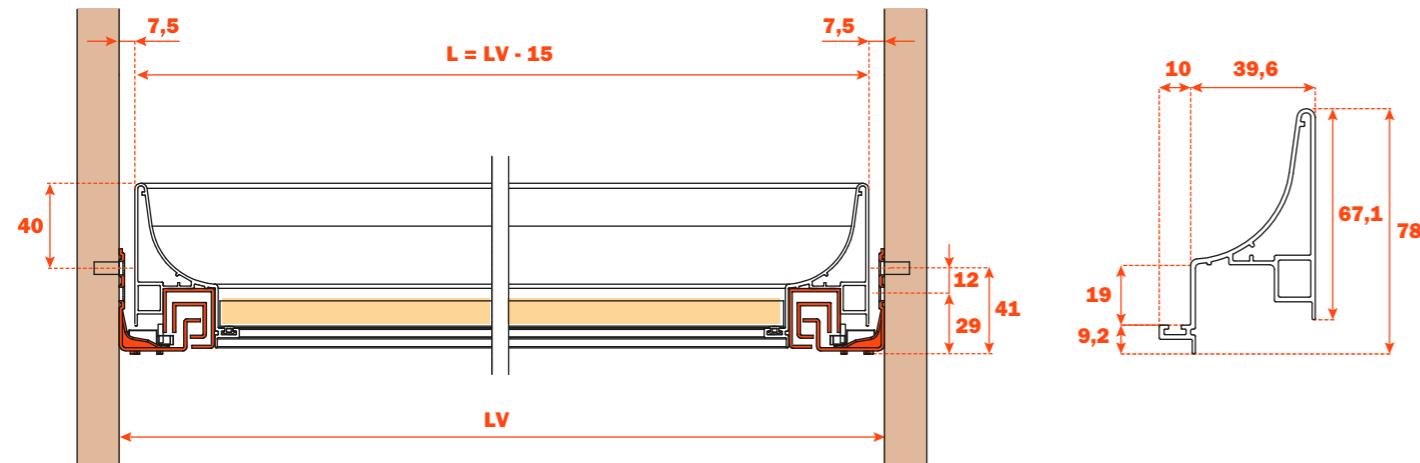
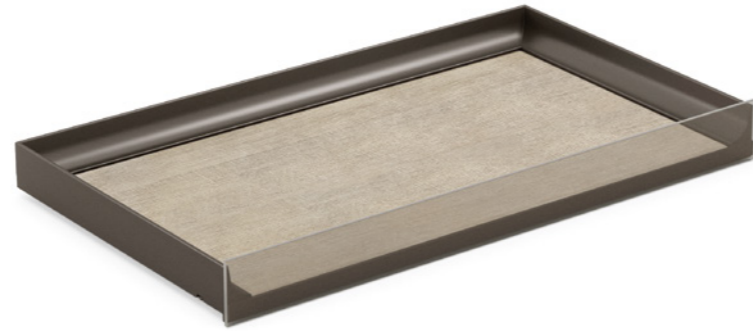


Runner length (LN) mm	Drawer width (L) mm	Frontal width (LF) mm	Internal width (L1) mm	Drawer depth (P) mm + wooden frontal 12 mm	Drawer depth (P) mm + wooden frontal 19 mm	Internal depth (P1) mm
350	LV - 15	LV - 6	L - 80	390	397	338
400				440	447	388
450				490	497	438
470				510	517	458
500				540	547	488

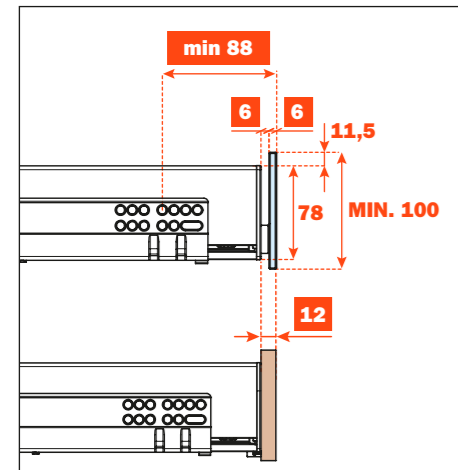
Excessories - pull-out - 3-sided drawer H 78 - glass frontal

Aluminium 3-sided drawer H 78 GLASS FRONTAL H 100

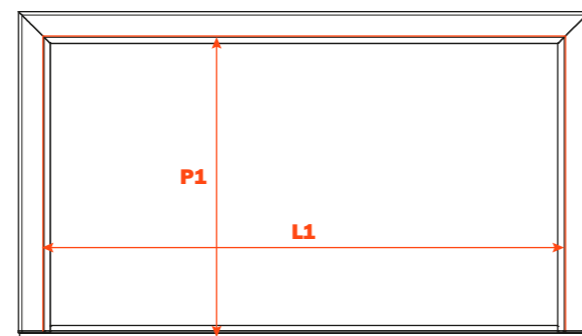
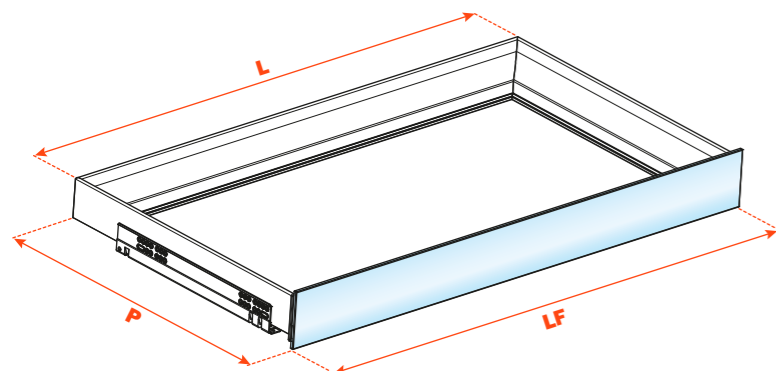
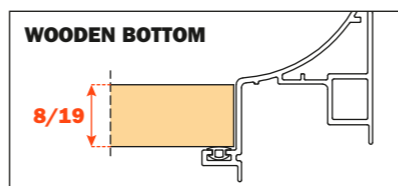
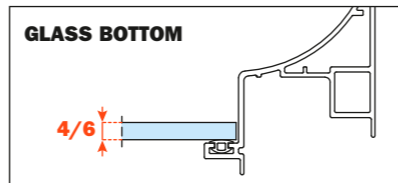
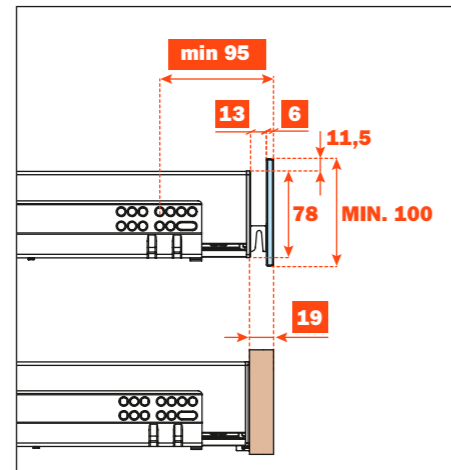
- Profile height: 78 mm
- Max. drawer width: 1500 mm
- Material: epoxy-coated aluminium
- Finish: metal grey brown
- Equipped with full-extension Futura runners
- Integrated height and depth adjustments
- Equipped with anti-tipping device
- The drawers are supplied assembled complete with the gasket needed to hold in place the drawer bottom and accessories
- Glass frontal upon request, bottom not included
- Bottom can be made of wood or glass



ASSEMBLY WITH ALUMINIUM PROFILE 6 mm THICKNESS. ALIGNMENT WITH WOODEN FRONTAL 12 mm THICKNESS

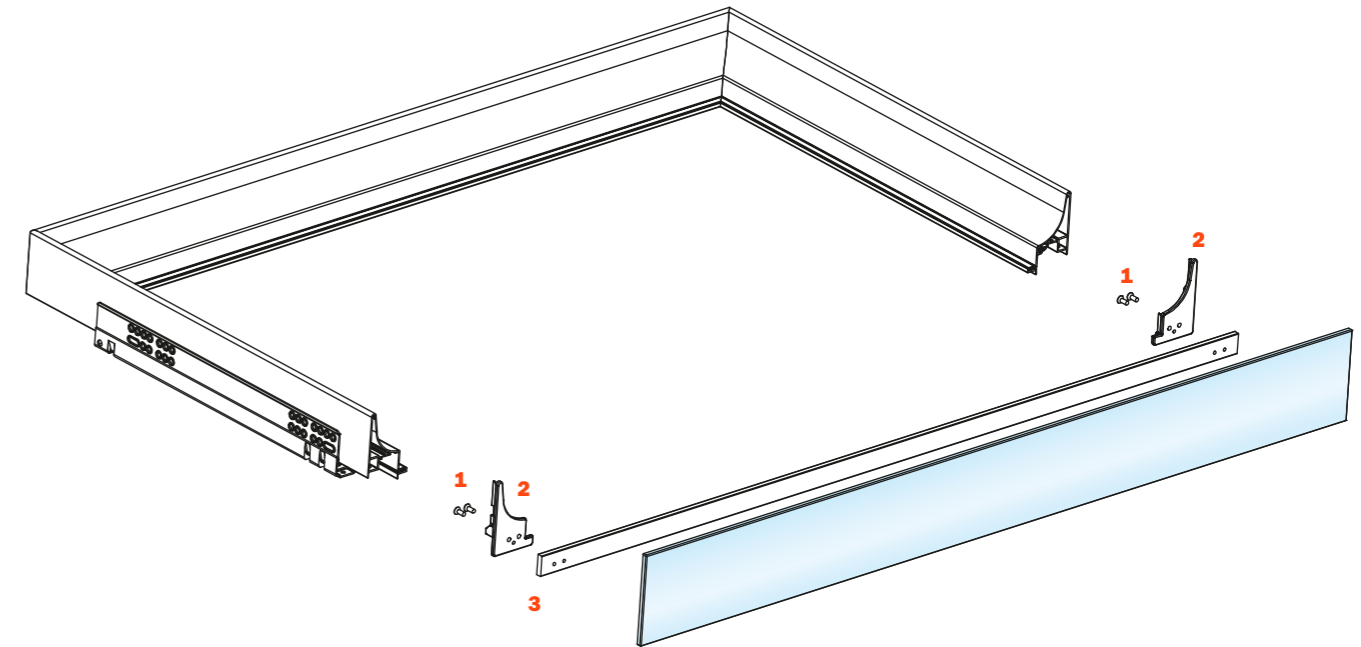


ASSEMBLY WITH ALUMINIUM PROFILE 13 mm THICKNESS. ALIGNMENT WITH WOODEN FRONTAL 19 mm THICKNESS

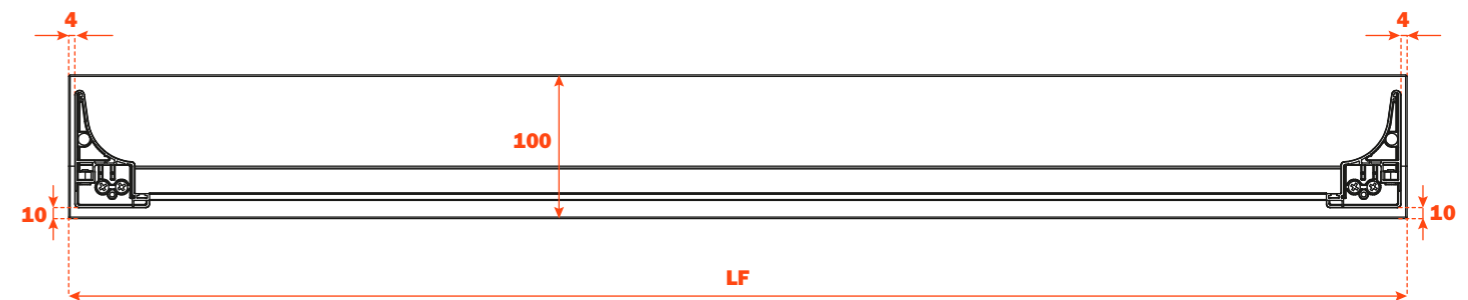


Kit for the frontal fixing (to be ordered separately)

1. M 4x10 mm screws
2. Fixing caps
3. Aluminium profile with adhesive tape for fixing on the frontal



Fixing the profile to the frontal



GLASS FRONTAL, 6 mm THICKNESS - ALUMINIUM PROFILE, 6 mm THICKNESS

Runner length (LN) mm	Drawer width (L) mm	Frontal width (LF) mm	Internal width (L1) mm	Drawer depth (P) mm	Internal depth (P1) mm
350	LV - 15	LV - 6	L - 80	390	338
400				440	388
450				490	438
470				510	458
500				540	488

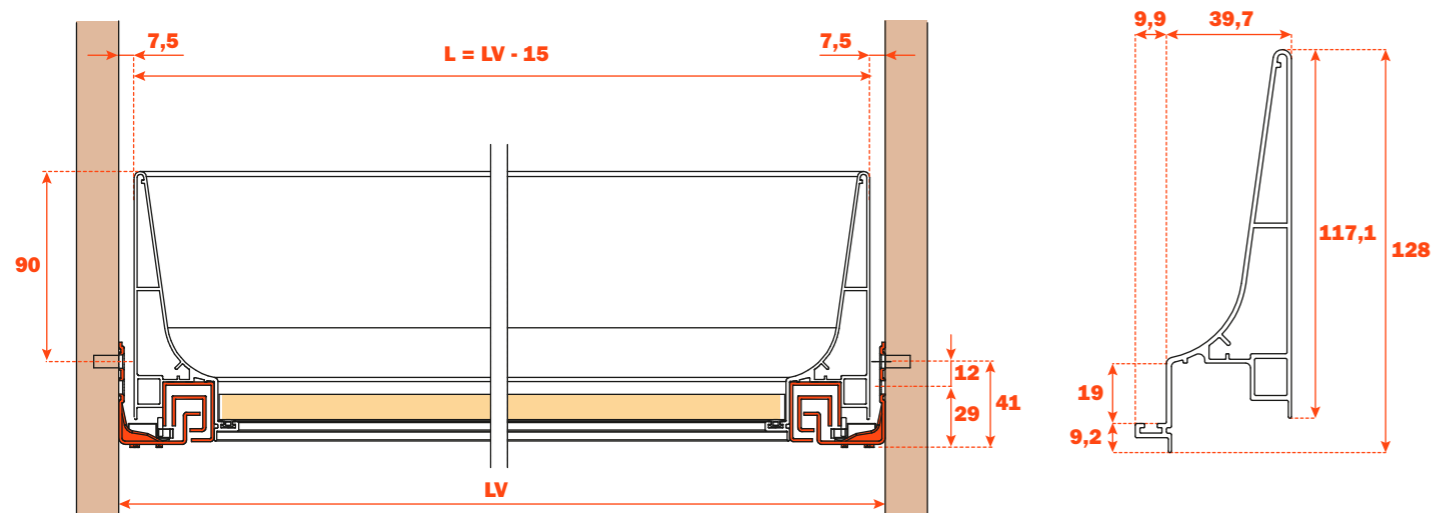
GLASS FRONTAL, 6 mm THICKNESS - ALUMINIUM PROFILE, 13 mm THICKNESS

Runner length (LN) mm	Drawer width (L) mm	Frontal width (LF) mm	Internal width (L1) mm	Drawer depth (P) mm	Internal depth (P1) mm
350	LV - 15	LV - 6	L - 80	397	338
400				447	388
450				497	438
470				517	458
500				547	488

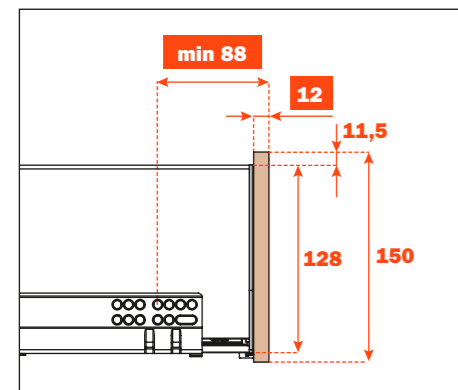
Excessories - pull-out - 3-sided drawer H 128 - wooden frontal

Aluminium 3-sided drawer H 128 WOODEN FRONTAL H 150

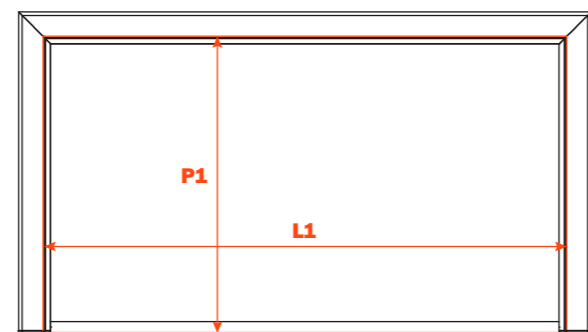
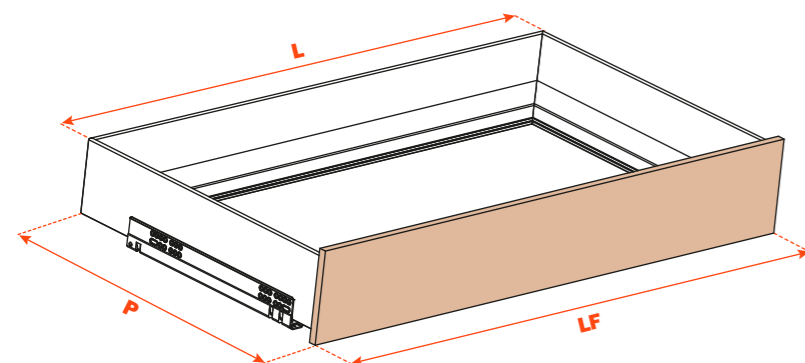
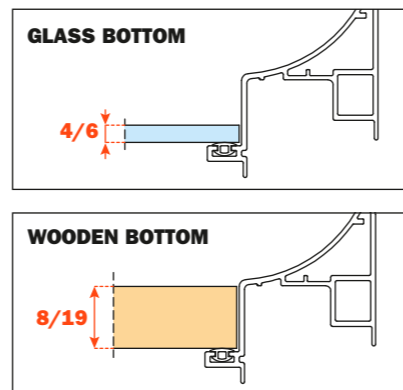
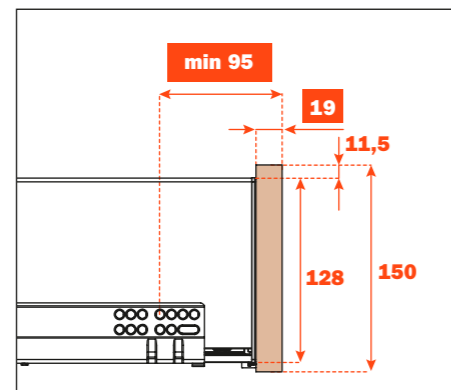
- Profile height: 128 mm
- Max. drawer width: 1500 mm
- Material: epoxy-coated aluminium
- Finish: metal grey brown
- Equipped with full-extension Futura runners
- Integrated height and depth adjustments
- Equipped with anti-tipping device
- The drawers are supplied assembled complete with the gasket needed to hold in place the drawer bottom and accessories
- Frontal and bottom not included
- Bottom can be made of wood or glass



ASSEMBLY WITH WOODEN FRONTAL,
12 mm THICKNESS

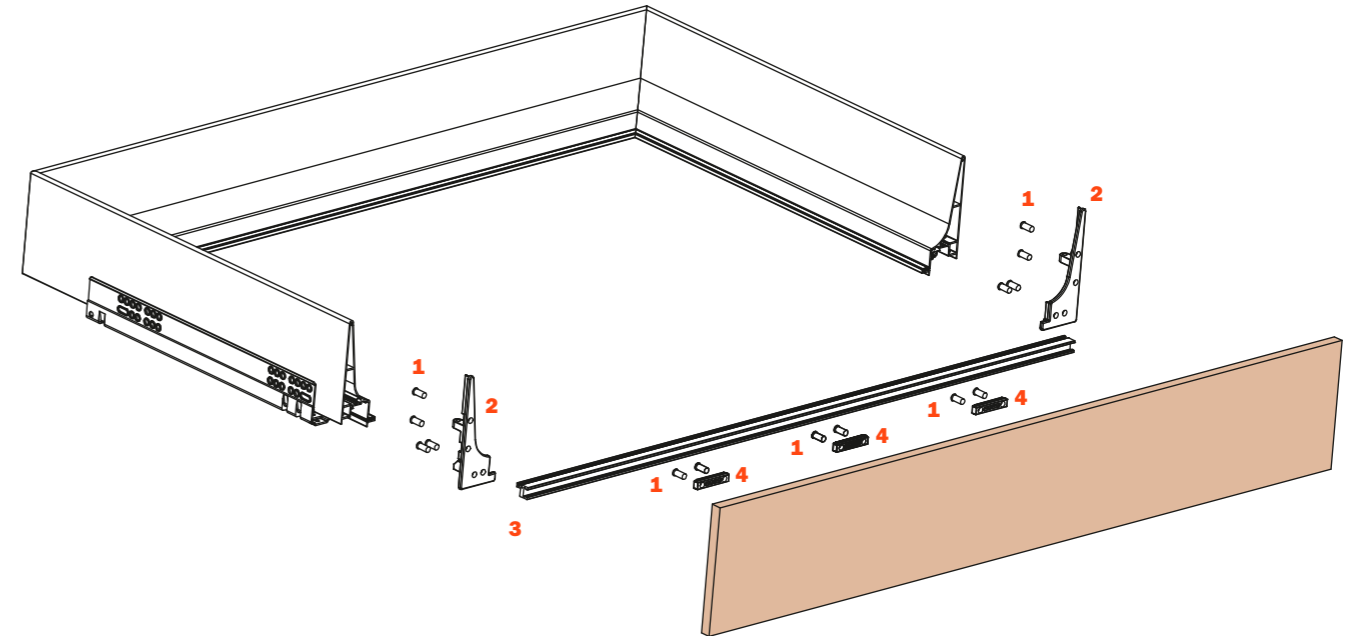


ASSEMBLY WITH WOODEN FRONTAL,
19 mm THICKNESS

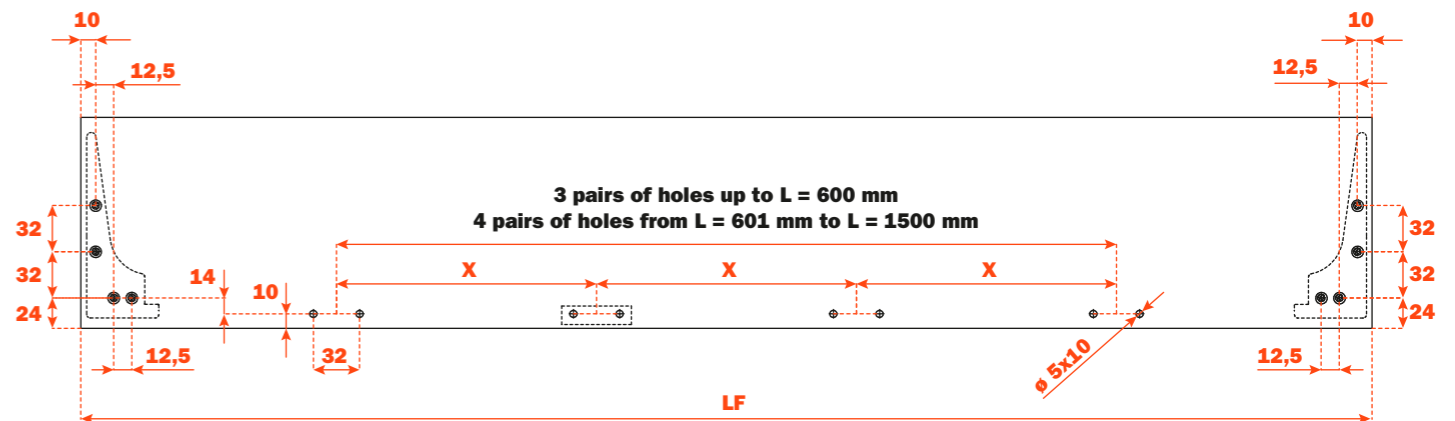


Kit for the frontal fixing (to be ordered separately)

1. 6,3x14 mm TPSV Euro screws
2. Fixing caps
3. Aluminium profile
4. Connecting elements



Frontal drilling

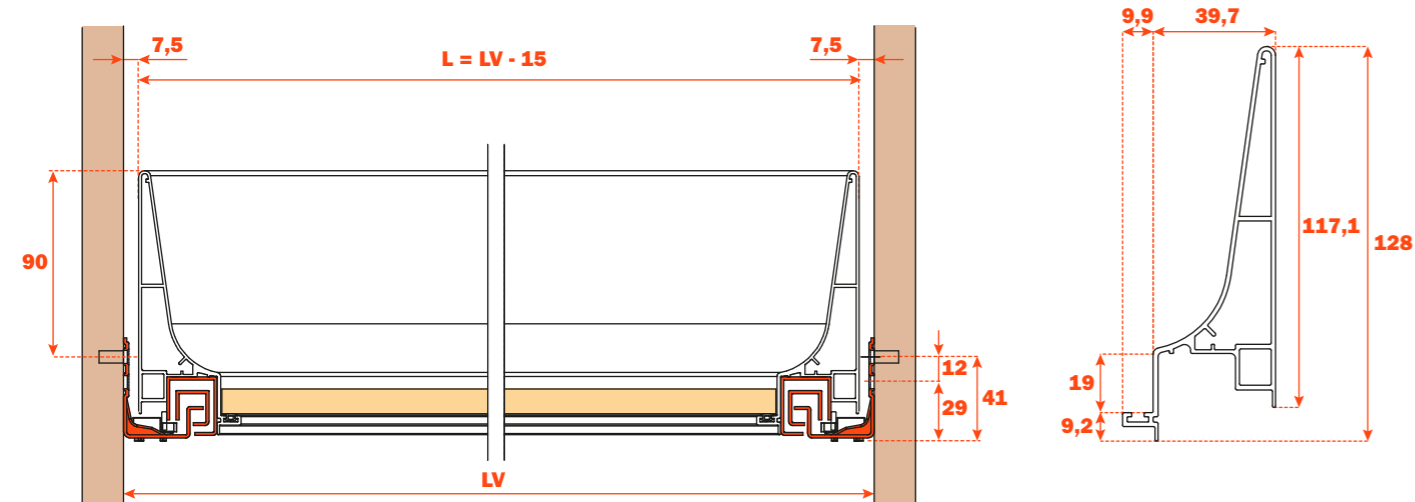


Runner length (LN) mm	Drawer width (L) mm	Frontal width (LF) mm	Internal width (L1) mm	Drawer depth (P) mm + wooden frontal 12 mm	Drawer depth (P) mm + wooden frontal 19 mm	Internal depth (P1) mm
350	LV - 15	LV - 6	L - 80	390	397	338
400				440	447	388
450				490	497	438
470				510	517	458
500				540	547	488

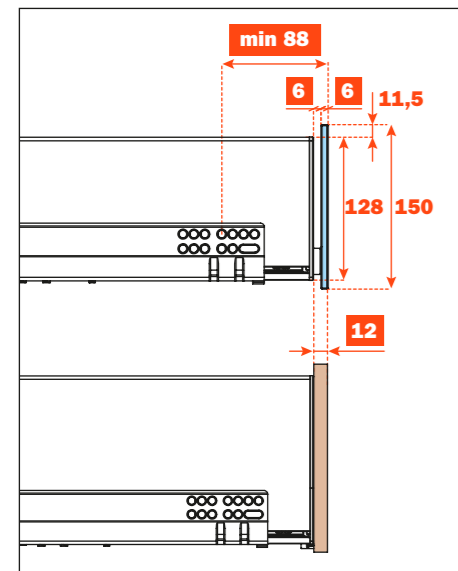
Excessories - pull-out - 3-sided drawer H 128 - glass frontal

Aluminium 3-sided drawer H 128 GLASS FRONTAL H 150

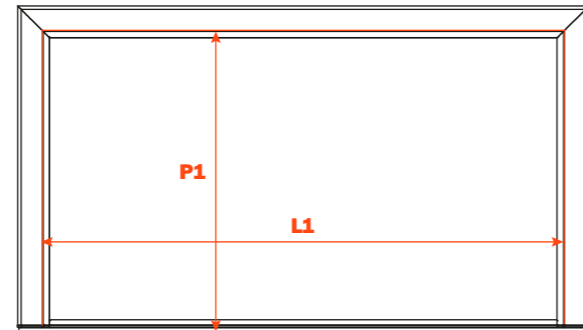
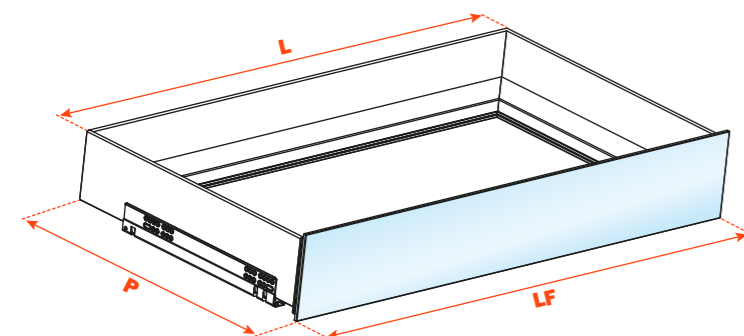
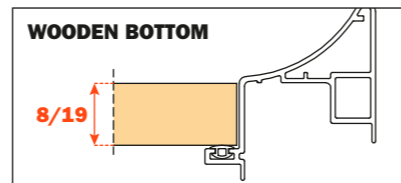
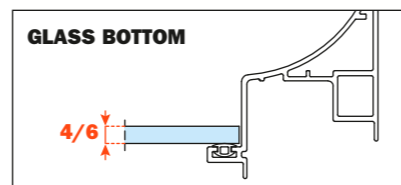
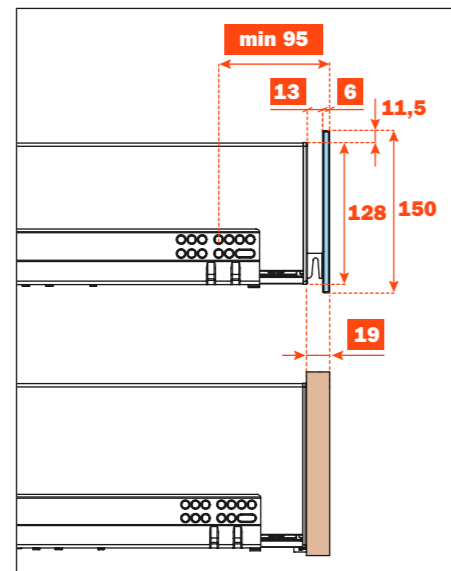
- Profile height: 128 mm
- Max. drawer width: 1500 mm
- Material: epoxy-coated aluminium
- Finish: metal grey brown
- Equipped with full-extension Futura runners
- Integrated height and depth adjustments
- Equipped with anti-tipping device
- The drawers are supplied assembled complete with the gasket needed to hold in place the drawer bottom and accessories
- Glass frontal upon request, bottom not included
- Bottom can be made of wood or glass



ASSEMBLY WITH ALUMINIUM PROFILE 6 mm THICKNESS. ALIGNMENT WITH WOODEN FRONTAL 12 mm THICKNESS

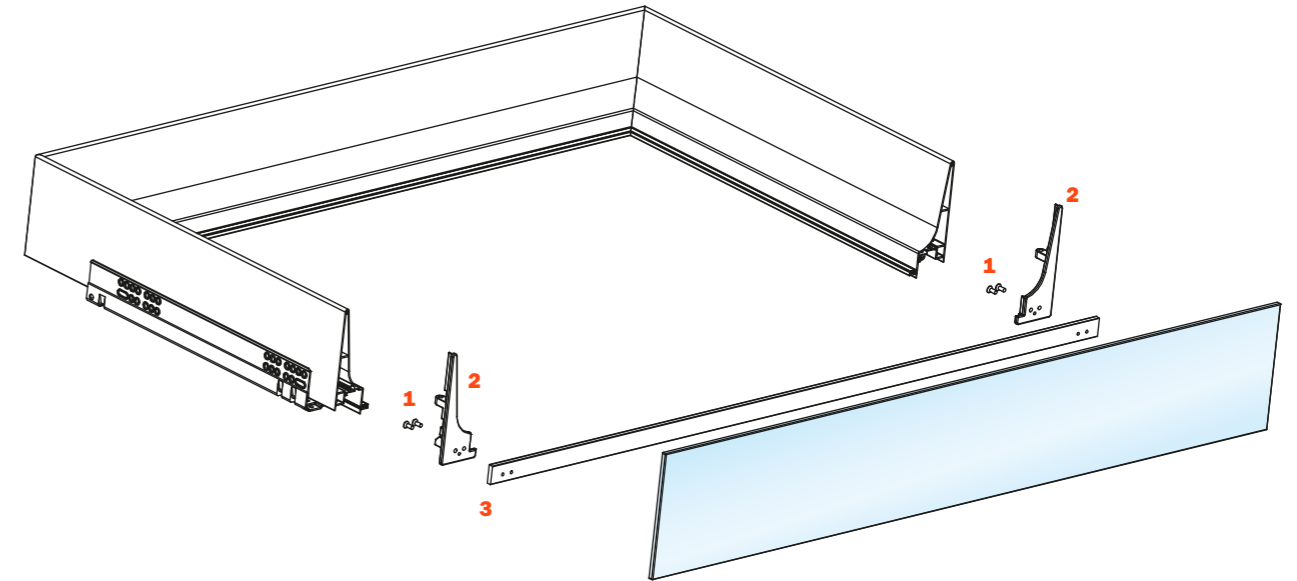


ASSEMBLY WITH ALUMINIUM PROFILE 13 mm THICKNESS. ALIGNMENT WITH WOODEN FRONTAL 19 mm THICKNESS

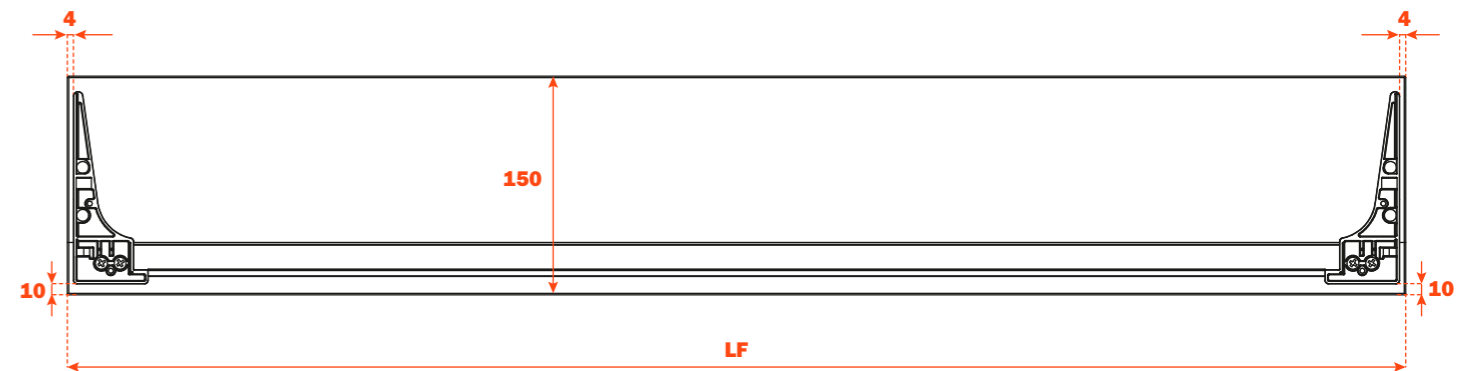


Kit for the frontal fixing (to be ordered separately)

1. M 4x10 mm screws
2. Fixing caps
3. Aluminium profile with adhesive tape for fixing on the frontal



Fixing the profile to the frontal



GLASS FRONTAL, 6 mm THICKNESS - ALUMINIUM PROFILE, 6 mm THICKNESS

Runner length (LN) mm	Drawer width (L) mm	Frontal width (LF) mm	Internal width (L1) mm	Drawer depth (P) mm	Internal depth (P1) mm
350	LV - 15	LV - 6	L - 80	390	338
400				440	388
450				490	438
470				510	458
500				540	488

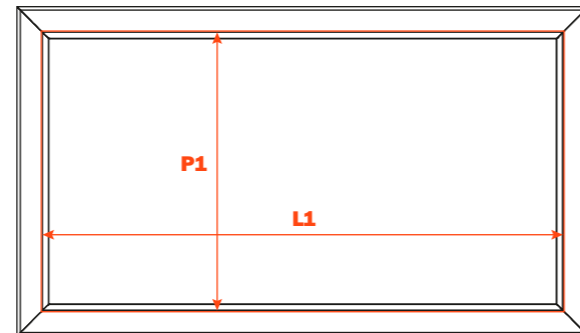
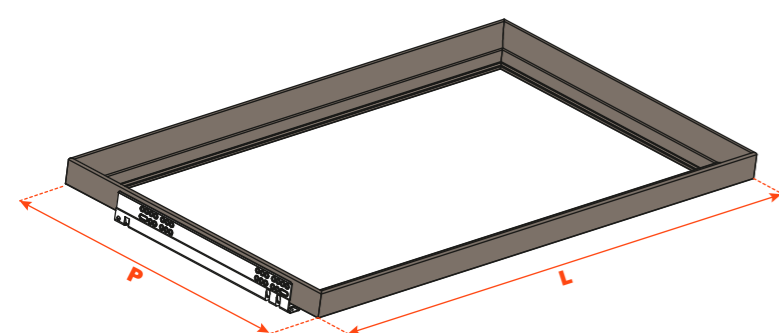
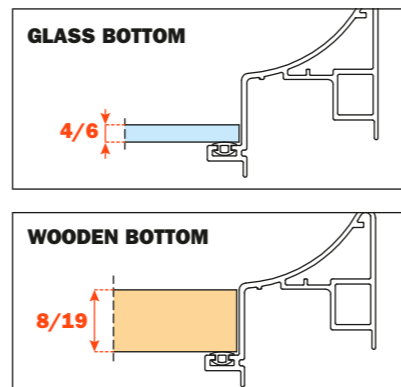
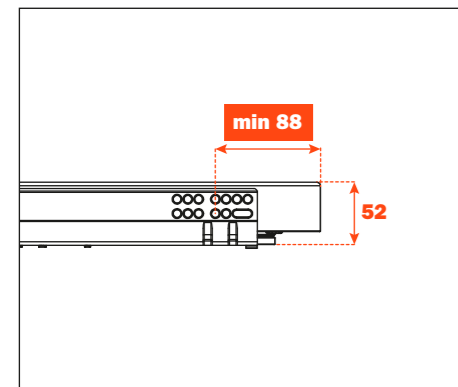
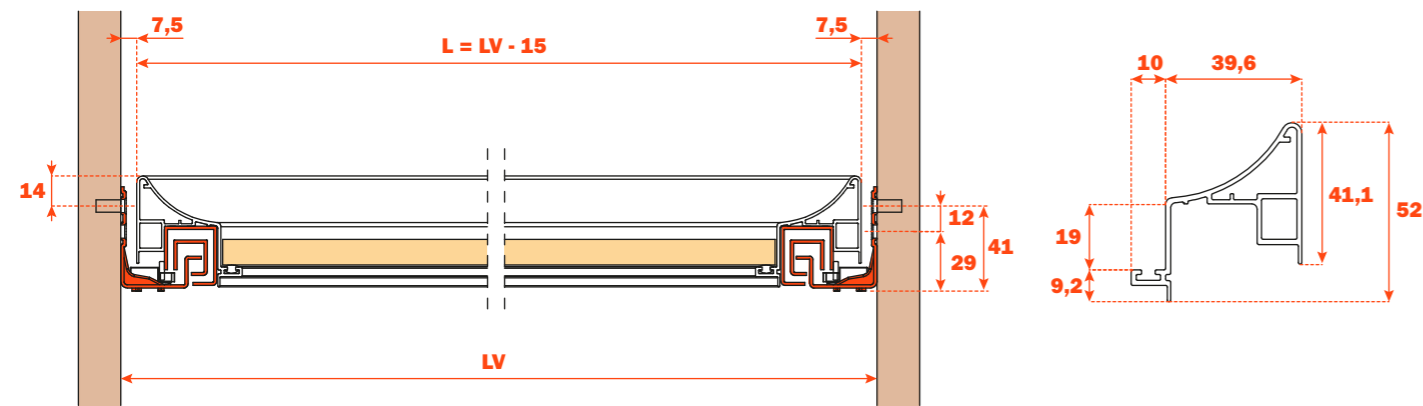
GLASS FRONTAL, 6 mm THICKNESS - ALUMINIUM PROFILE, 13 mm THICKNESS

Runner length (LN) mm	Drawer width (L) mm	Frontal width (LF) mm	Internal width (L1) mm	Drawer depth (P) mm	Internal depth (P1) mm
350	LV - 15	LV - 6	L - 80	397	338
400				447	388
450				497	438
470				517	458
500				547	488

Excessories - pull-out - 4-sided drawer H 52

Aluminium 4-sided drawer H 52

- Profile height: 52 mm
- Max. drawer width: 1500 mm
- Material: epoxy-coated aluminium
- Finish: metal grey brown
- Equipped with full-extension Futura runners
- Integrated height and depth adjustments
- Equipped with anti-tipping device
- The drawers are supplied assembled complete with the gasket needed to hold in place the drawer bottom and accessories
- Bottom not included
- Bottom can be made of wood or glass

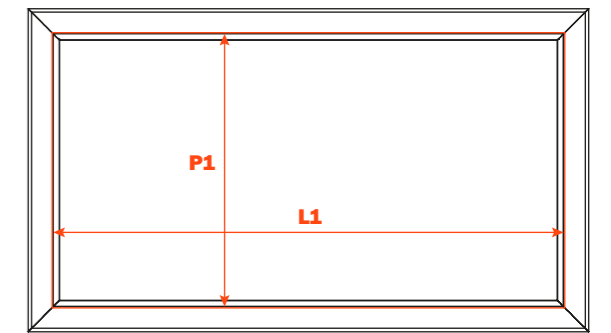
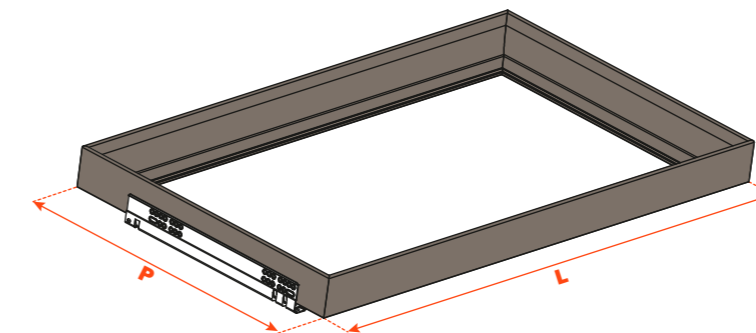
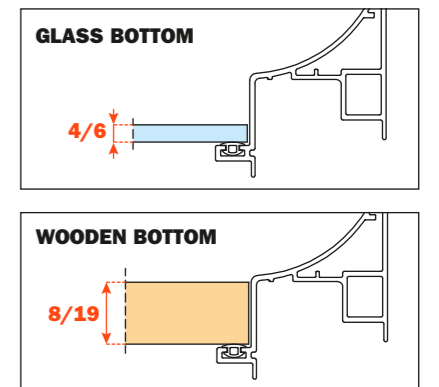
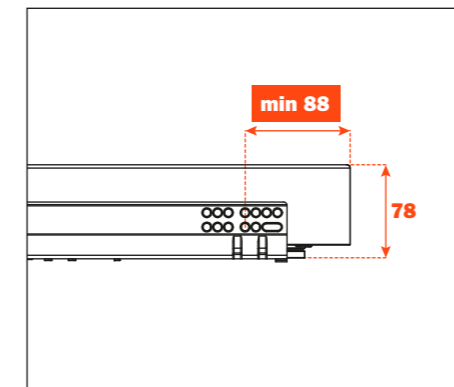
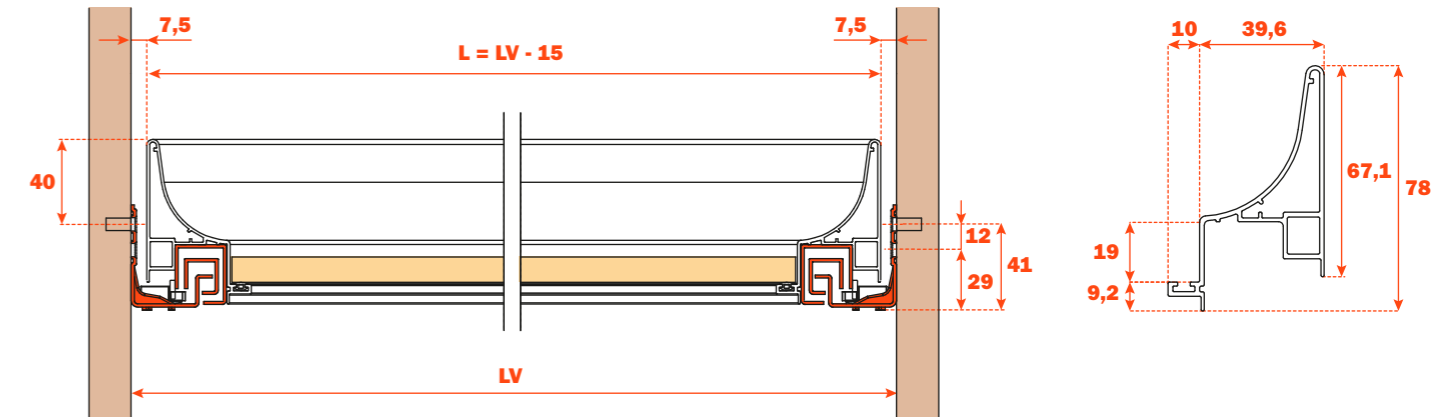


Runner length (LN) mm	Drawer width (L) mm	Internal width (L1) mm	Drawer depth (P) mm	Internal depth (P1) mm
350	LV - 15	L - 80	390	310
400			440	360
450			490	410
470			510	430
500			540	460

Excessories - pull-out - 4-sided drawer H 78

Aluminium 4-sided drawer H 78

- Profile height: 78 mm
- Max. drawer width: 1500 mm
- Material: epoxy-coated aluminium
- Finish: metal grey brown
- Equipped with full-extension Futura runners
- Integrated height and depth adjustments
- Equipped with anti-tipping device
- The drawers are supplied assembled complete with the gasket needed to hold in place the drawer bottom and accessories
- Bottom not included
- Bottom can be made of wood or glass

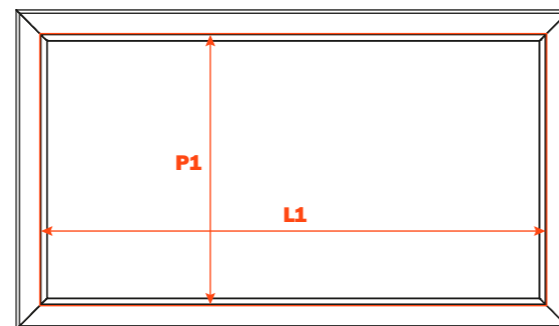
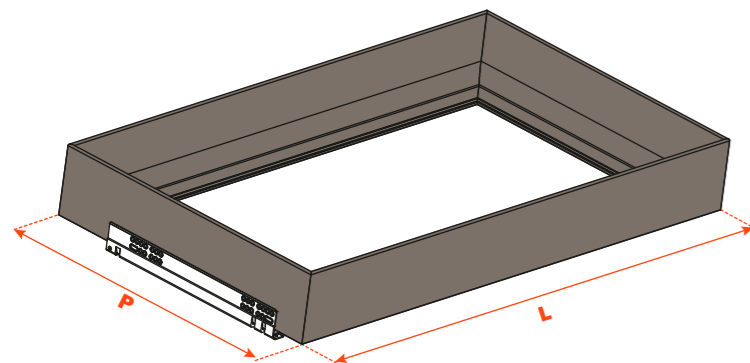
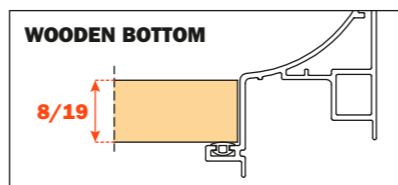
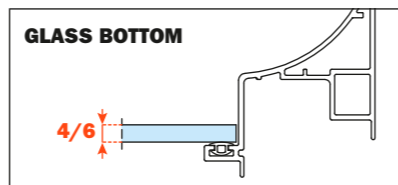
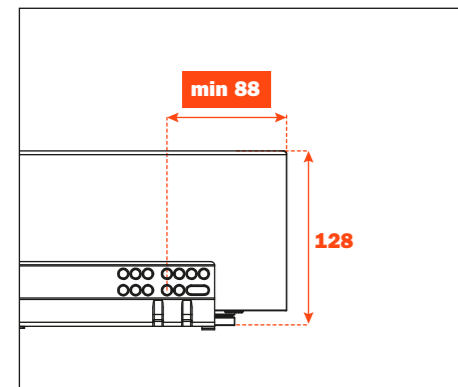
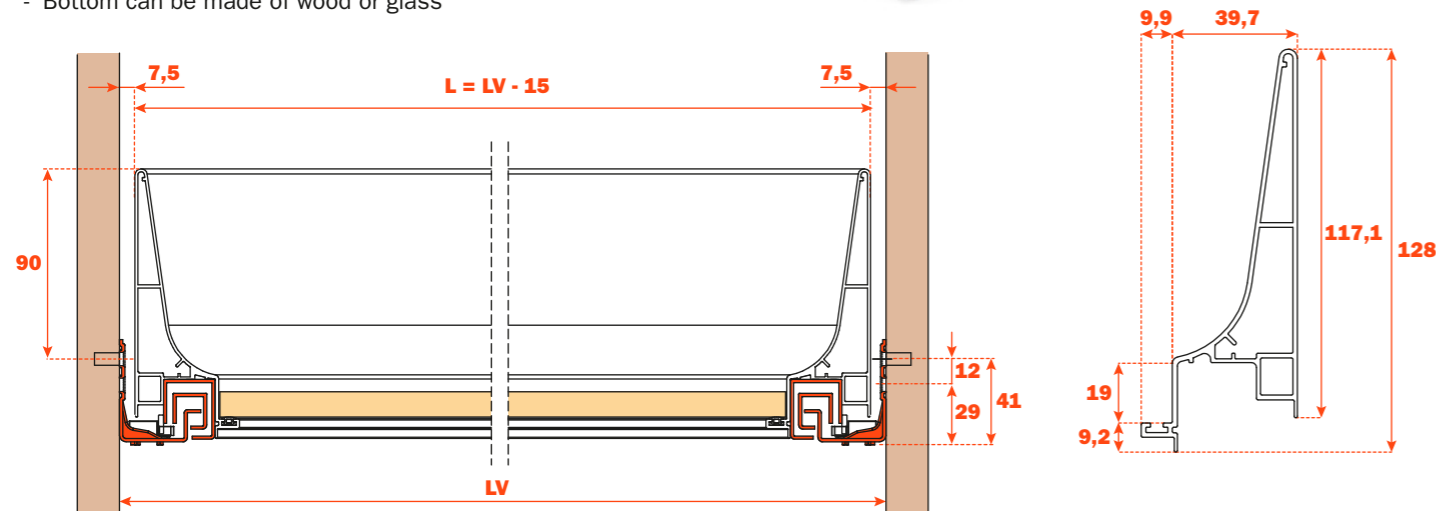


Runner length (LN) mm	Drawer width (L) mm	Internal width (L1) mm	Drawer depth (P) mm	Internal depth (P1) mm
350	LV - 15	L - 80	390	310
400			440	360
450			490	410
470			510	430
500			540	460

Excessories - pull-out - 4-sided drawer H 128

Aluminium 4-sided drawer H 128

- Profile height: 128 mm
- Max. drawer width: 1500 mm
- Material: epoxy-coated aluminium
- Finish: metal grey brown
- Equipped with full-extension Futura runners
- Integrated height and depth adjustments
- Equipped with anti-tipping device
- The drawers are supplied assembled complete with the gasket needed to hold in place the drawer bottom and accessories
- Bottom not included
- Bottom can be made of wood or glass

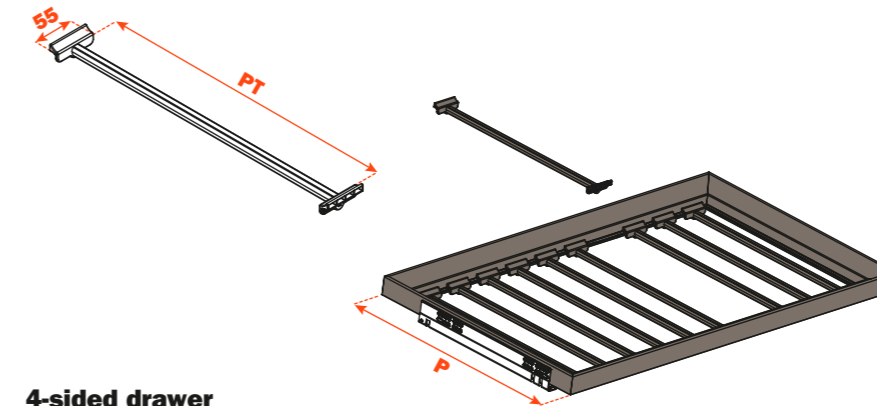


Runner length (LN) mm	Drawer width (L) mm	Internal width (L1) mm	Drawer depth (P) mm	Internal depth (P1) mm
350	LV - 15	L - 80	390	310
400			440	360
450			490	410
470			510	430
500			540	460

Excessories - pull-out - trousers hanger for drawer

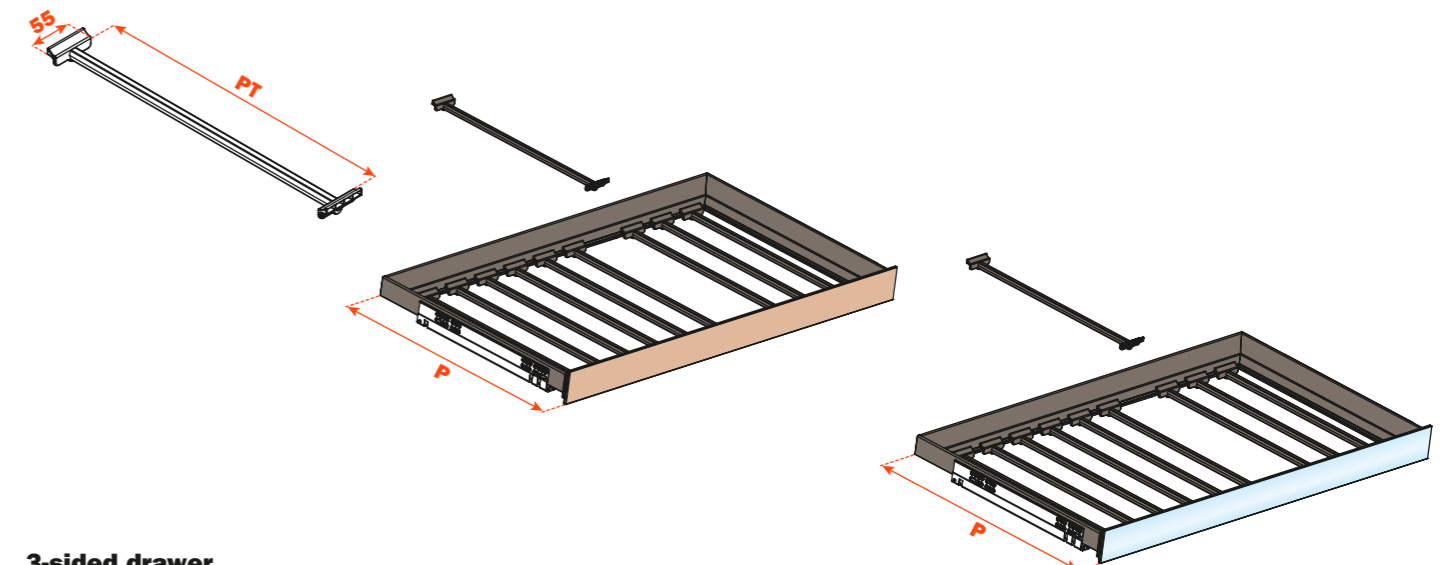
Trousers hanger for drawer

- Rail material: epoxy-coated aluminium
- Finish: metal grey brown
- Recommended quantity: 7 pieces/500 mm
- Complete with soft trim on the upper surface to hold the trousers in place
- Rail supplied with nylon supports for easy location and sliding on the frame



4-sided drawer

PART NUMBER	Runner length (LN) mm	Drawer depth (P) mm	Rod length (PT) mm
VE80FXEA10433B	350	390	281
VE80FXEA10533B	400	440	331
VE80FXEA10633B	450	490	381
VE80FXEA10733B	470	510	401
VE80FXEA10833B	500	540	431



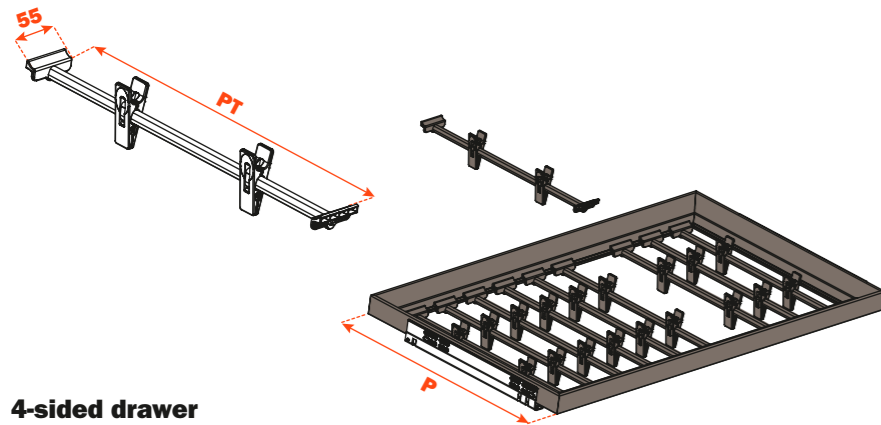
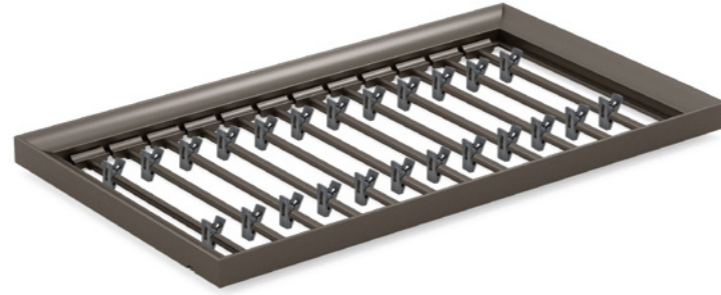
3-sided drawer

PART NUMBER	Runner length (LN) mm	Drawer depth (P) mm + wooden frontal 12 mm	Drawer depth (P) mm + glass frontal 6+6 mm	Rod length (PT) mm
VE80FXEA20433B	350	390	390	307
VE80FXEA20533B	400	440	440	357
VE80FXEA20633B	450	490	490	407
VE80FXEA20733B	470	510	510	427
VE80FXEA20833B	500	540	540	457

Excessories - pull-out - skirt hanger for drawer

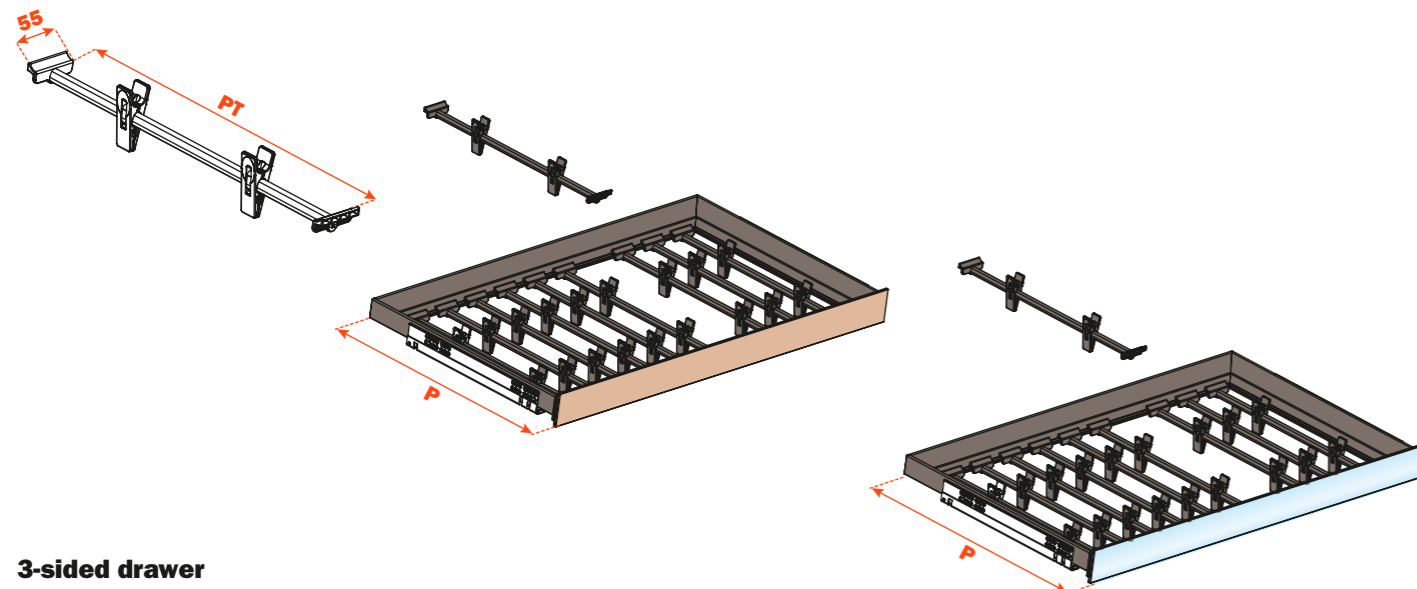
Skirt hanger for drawer

- Rail material: epoxy-coated aluminium
- Clip material: nylon
- Finish: metal grey brown
- Recommended quantity: 7 pieces/500 mm
- Complete with clips for skirts
- Rail supplied with nylon supports for easy location and sliding on the frame



4-sided drawer

PART NUMBER	Runner length (LN) mm	Drawer depth (P) mm	Rod length (PT) mm
VE80FXFA10433B	350	390	281
VE80FXFA10533B	400	440	331
VE80FXFA10633B	450	490	381
VE80FXFA10733B	470	510	401
VE80FXFA10833B	500	540	431



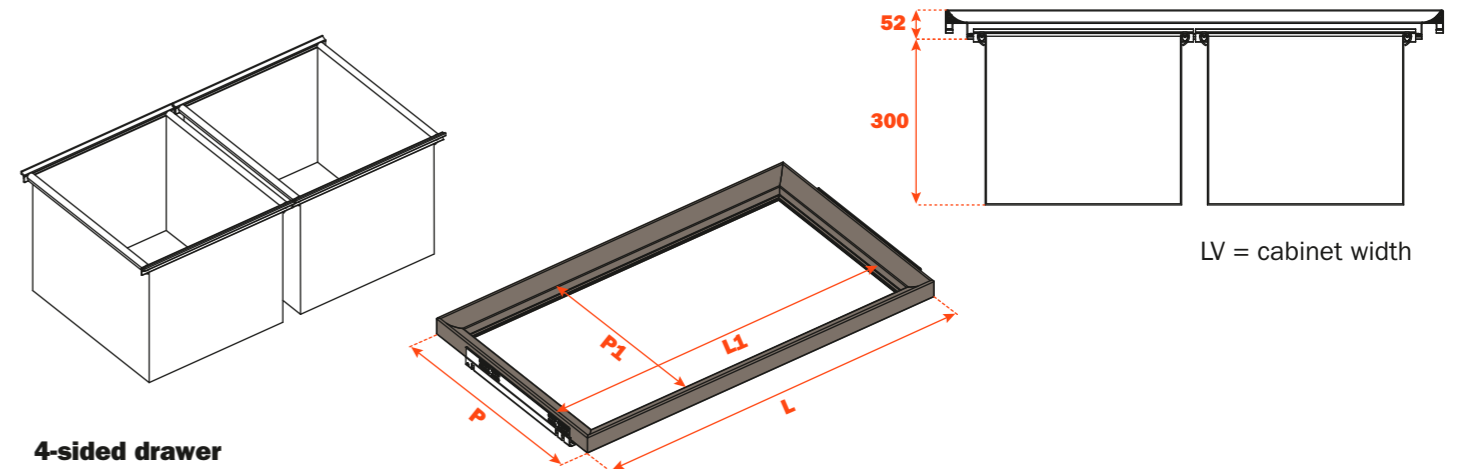
3-sided drawer

PART NUMBER	Runner length (LN) mm	Drawer depth (P) mm + wooden frontal 12 mm	Drawer depth (P) mm + glass frontal 6+6 mm	Rod length (PT) mm
VE80FXFA20433B	350	390	390	307
VE80FXFA20533B	400	440	440	357
VE80FXFA20633B	450	490	490	407
VE80FXFA20733B	470	510	510	427
VE80FXFA20833B	500	540	540	457

Excessories - pull-out - bed linen storage for drawer

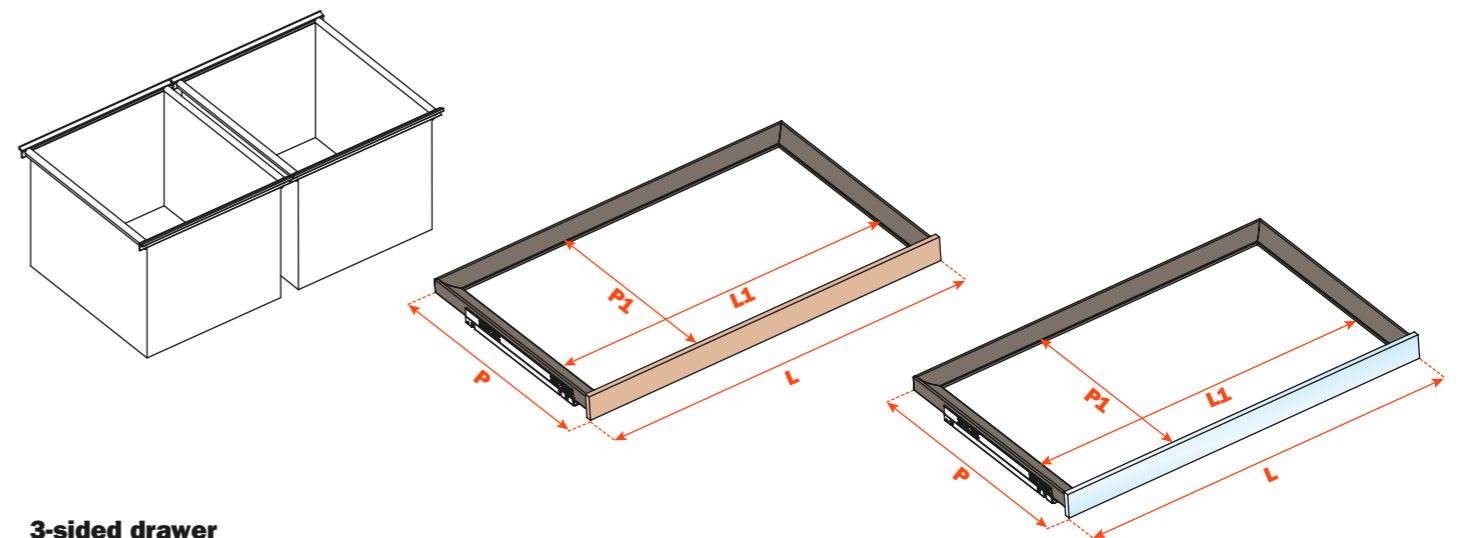
Bed linen storage for drawer

- Structure material: epoxy-coated aluminium
- Finish: metal grey brown
- The containers are made of quilted fabric in Tasmania grey, easily removable from the frame thanks to Velcro fastenings
- Custom-made according to the drawer dimensions:
 - Up to 500 mm width (L1) use 1 container
 - From 500 mm width (L1) use 2 containers



4-sided drawer

Runner length (LN) mm	Drawer width (L) mm	Internal width (L1) mm	4-SIDED drawer depth (P) mm	Internal depth (P1) mm
350	LV - 15	L - 80	390	310
400			440	360
450			490	410
470			510	430
500			540	460



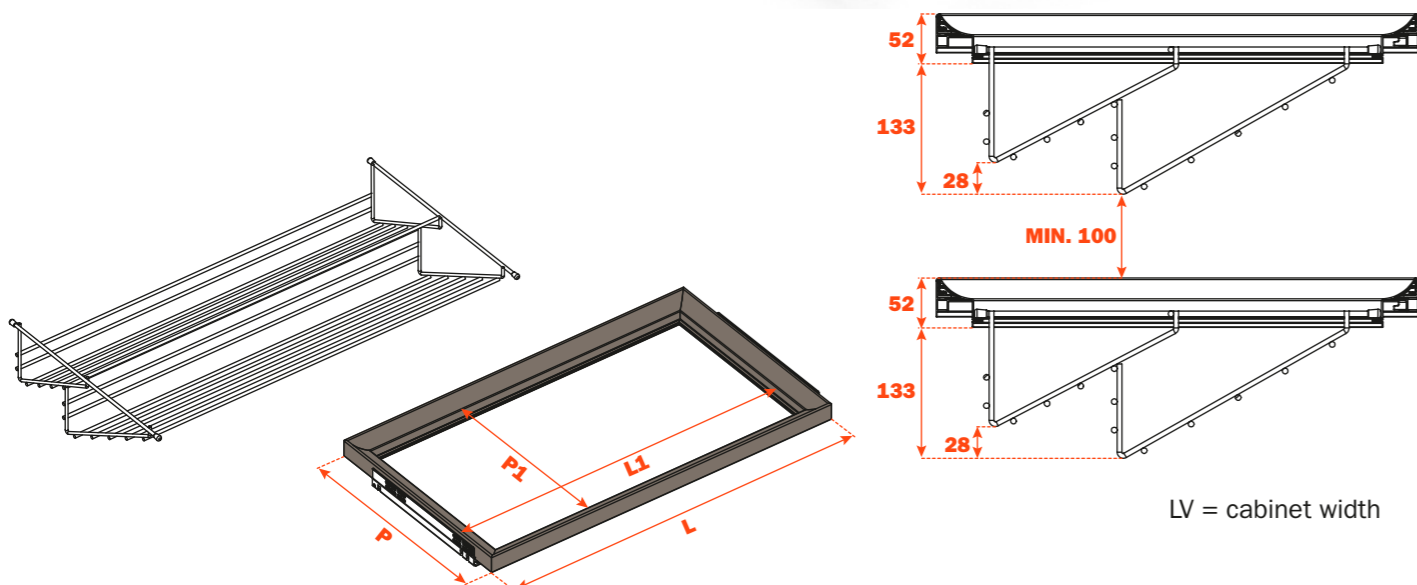
3-sided drawer

Runner length (LN) mm	Drawer width (L) mm	Internal width (L1) mm	3-SIDED drawer depth (P) mm + wooden frontal 12 mm or glass frontal 6+6 mm	3-SIDED drawer depth (P) mm + wooden frontal 19 mm or glass frontal 6+13 mm	Internal depth (P1) mm
350	LV - 15	L - 80	390	397	338
400			440	447	388
450			490	497	438
470			510	517	458
500			540	547	488

Excessories - pull-out - wired shoe rack for drawer

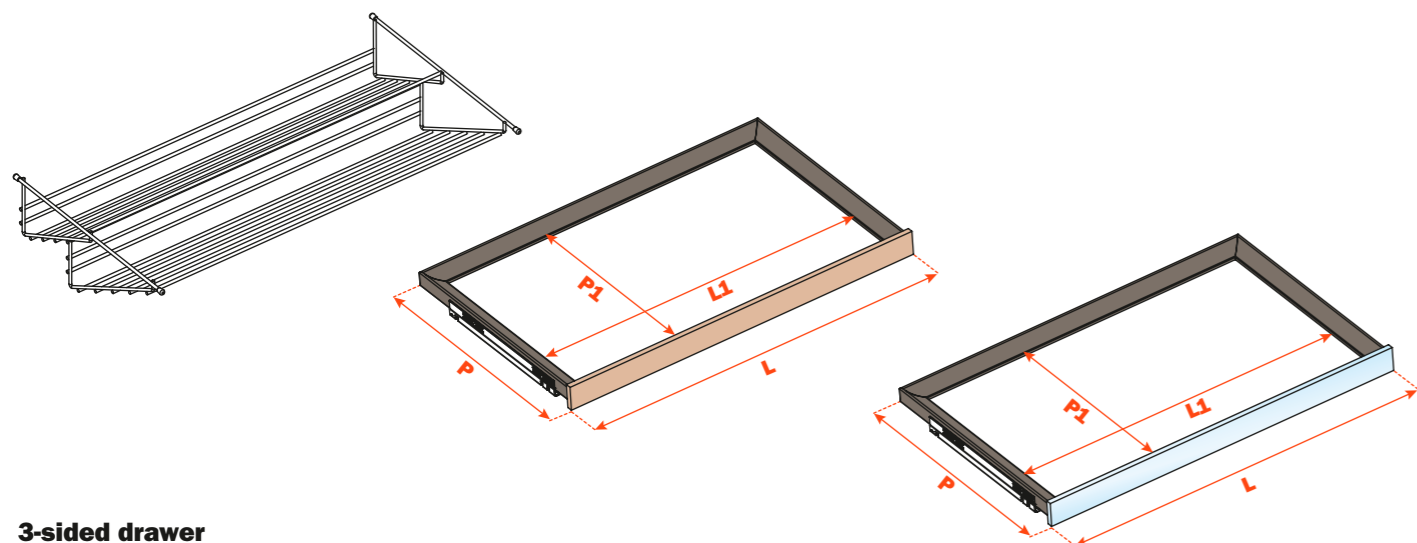
Shoe rack for drawer

- Shoe rack material: epoxy-coated aluminium
- Finish: metal grey brown
- Max. width: 1200 mm
- Made in a single piece to suit drawer size
- Easy to install, it requires no fixing
- It holds two rows of shoes
- Minimum order 20 pcs.



4-sided drawer

Runner length (LN) mm	Drawer width (L) mm	Internal width (L1) mm	Drawer depth (P) mm	Internal depth (P1) mm
450	LV - 15	L - 80	490	410
470			510	430
500			540	460



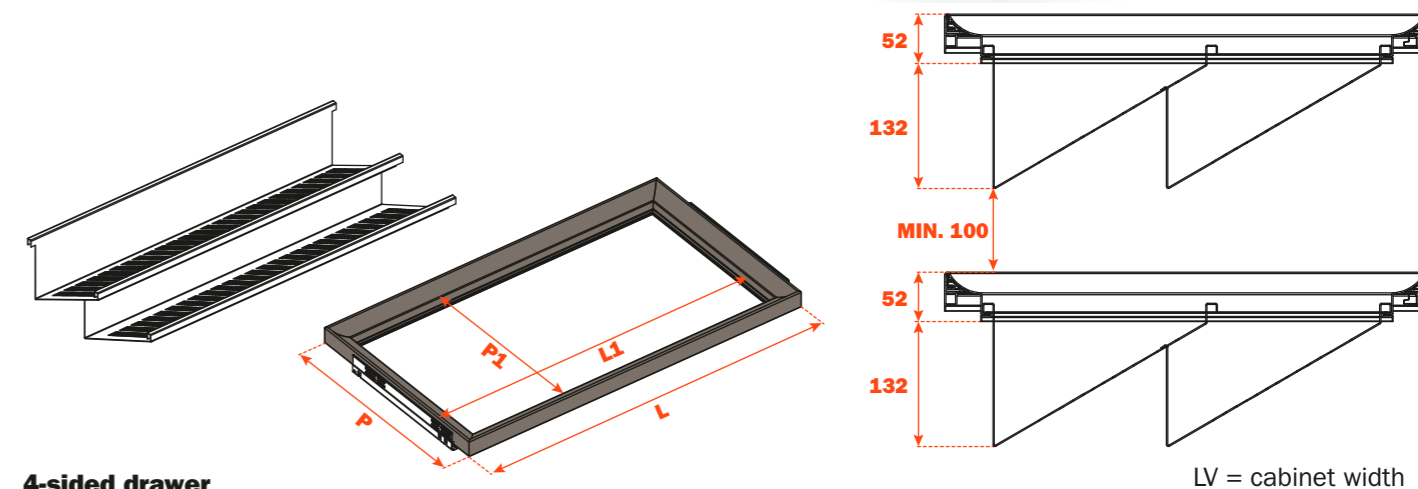
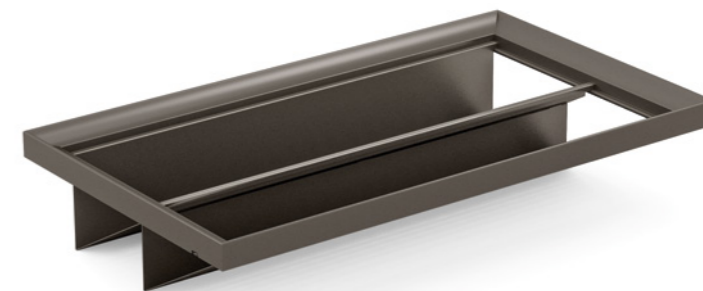
3-sided drawer

Runner length (LN) mm	Drawer width (L) mm	Internal width (L1) mm	3-SIDED drawer depth (P) mm + wooden frontal 12 mm or glass frontal 6+6 mm	3-SIDED drawer depth (P) mm + wooden frontal 19 mm or glass frontal 6+13 mm	Internal depth (P1) mm
450	LV - 15	L - 80	490	497	438
470			510	517	458
500			540	547	488

Excessories - pull-out - metal shoe rack for drawer

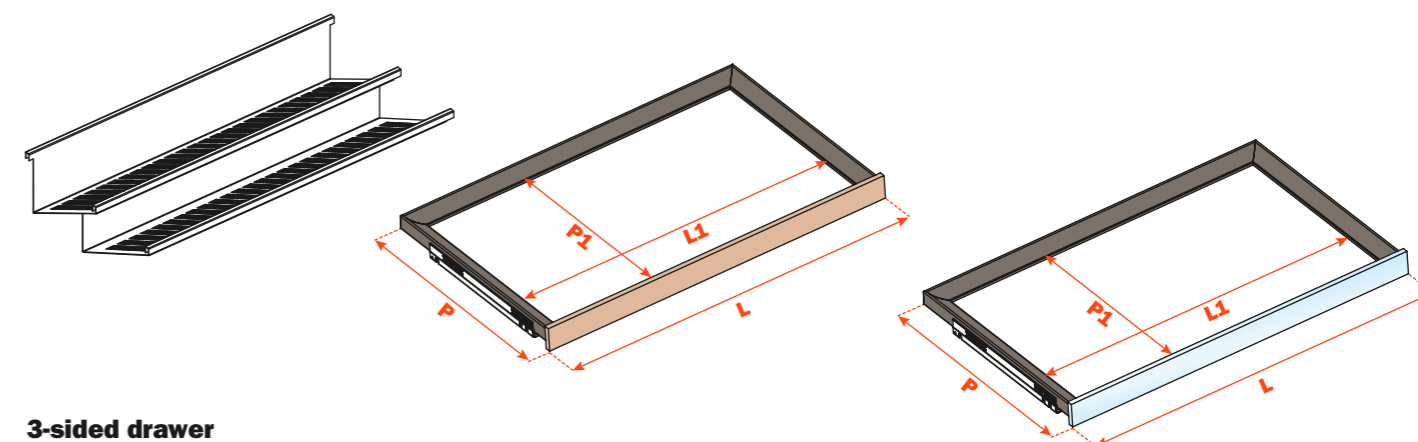
Shoe rack for drawer

- Shoe rack material: coated perforated metal sheet
- Finish: metal grey brown
- Max. width: 1500 mm
- Made in two pieces
- Easy to install, it requires no fixing
- It holds two rows of shoes
- It can be upgraded with 2 imitation leather base inserts



4-sided drawer

Runner length (LN) mm	Drawer width (L) mm	Internal width (L1) mm	Drawer depth (P) mm	Internal depth (P1) mm
450	LV - 15	L - 80	490	410
470			510	430
500			540	460

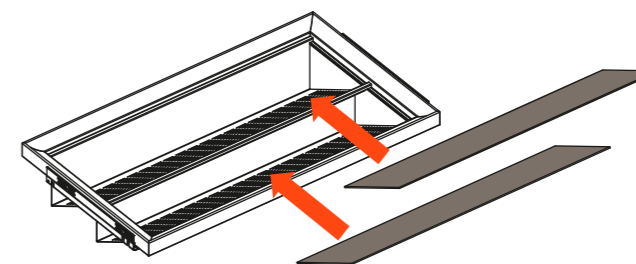


3-sided drawer

Runner length (LN) mm	Drawer width (L) mm	Internal width (L1) mm	3-SIDED drawer depth (P) mm + wooden frontal 12 mm or glass frontal 6+6 mm	3-SIDED drawer depth (P) mm + wooden frontal 19 mm or glass frontal 6+13 mm	Internal depth (P1) mm
450	LV - 15	L - 80	490	497	438
470			510	517	458
500			540	547	488

Imitation leather inserts to be ordered separately.

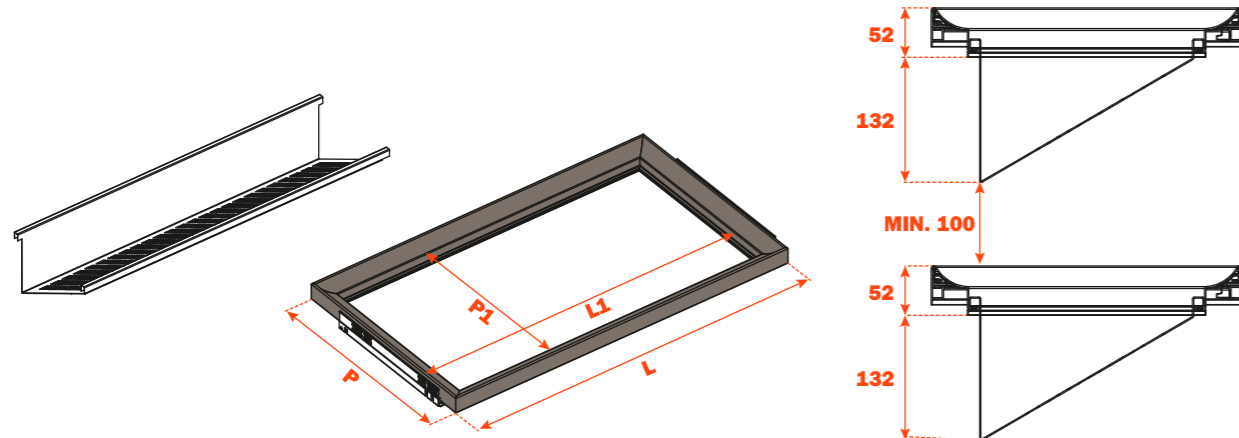
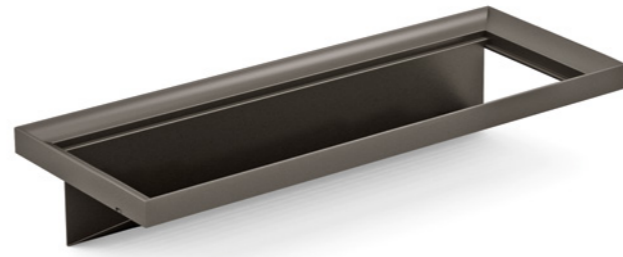
Finish code number on page 42



Excessories - pull-out - metal shoe rack for drawer

Shoe rack for drawer

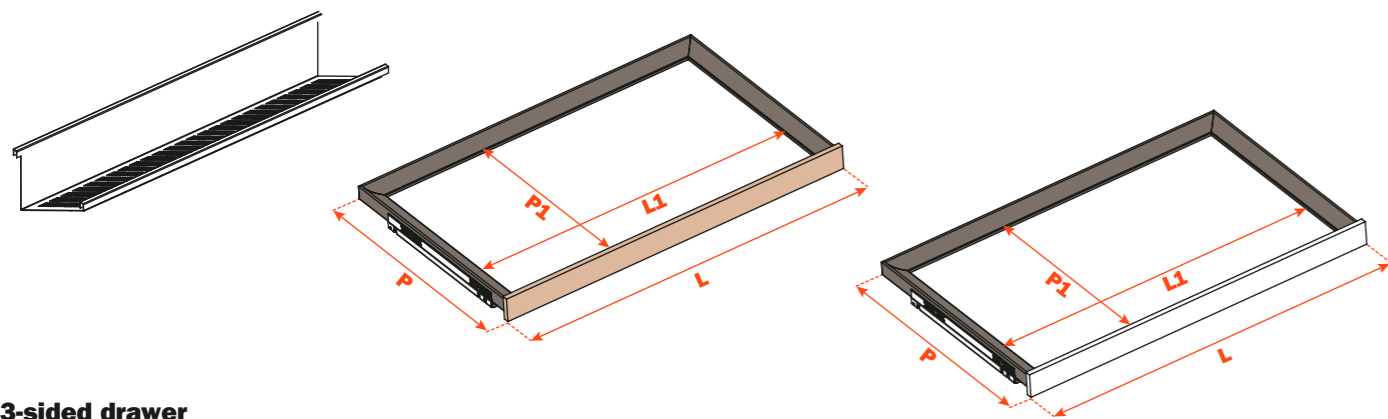
- Shoe rack material: coated perforated metal sheet
- Finish: metal grey brown
- Max. width: 1500 mm
- Made in a single piece
- Easy to install, it requires no fixing
- It holds two rows of shoes
- It can be upgraded with 2 imitation leather base inserts



4-sided drawer

LV = cabinet width

Runner length (LN) mm	Drawer width (L) mm	Internal width (L1) mm	Drawer depth (P) mm	Internal depth (P1) mm
400	LV - 15	L - 80	440	360

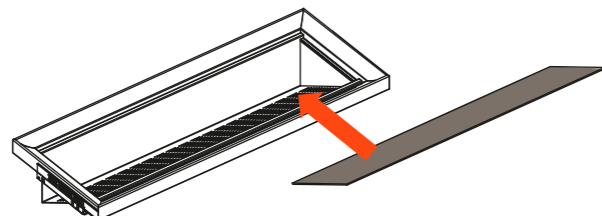


3-sided drawer

Runner length (LN) mm	Drawer width (L) mm	Internal width (L1) mm	3-SIDED drawer depth (P) mm + wooden frontal 12 mm or glass frontal 6+6 mm	3-SIDED drawer depth (P) mm + wooden frontal 19 mm or glass frontal 6+13 mm	Internal depth (P1) mm
400	LV - 15	L - 80	440	457	388

Imitation leather inserts to be ordered separately.

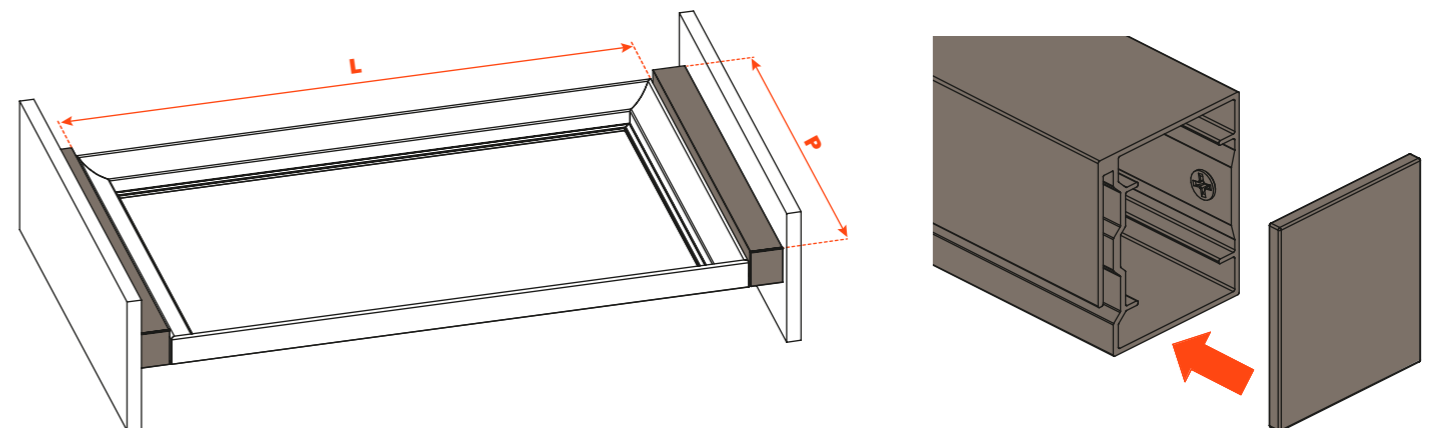
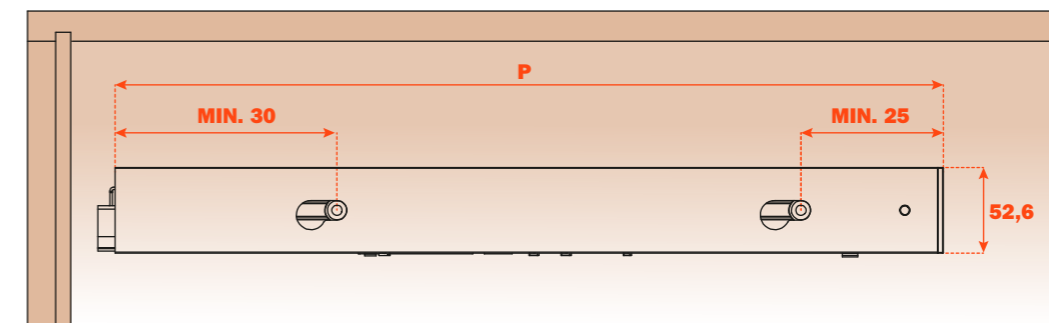
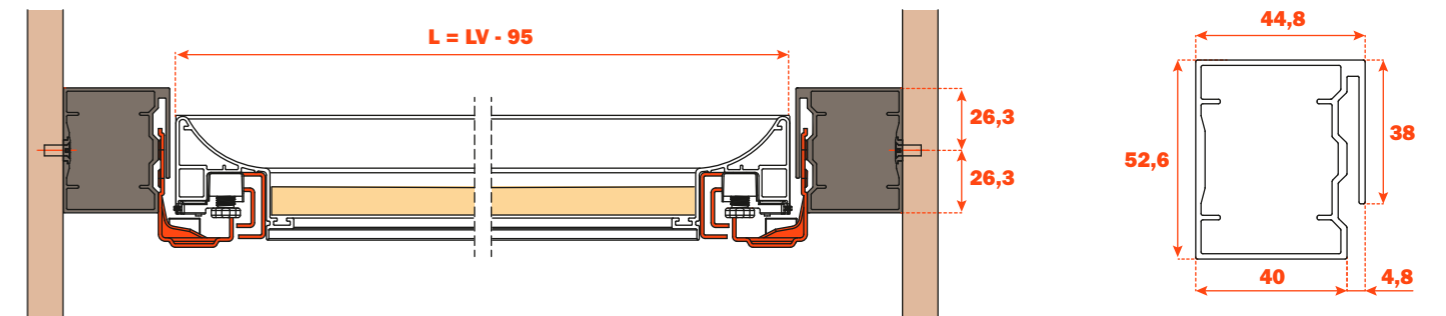
Finish code number on page 42



Excessories - pull-out - spacers

Spacers

- Material: epoxy-coated aluminium
- Finish: metal grey brown



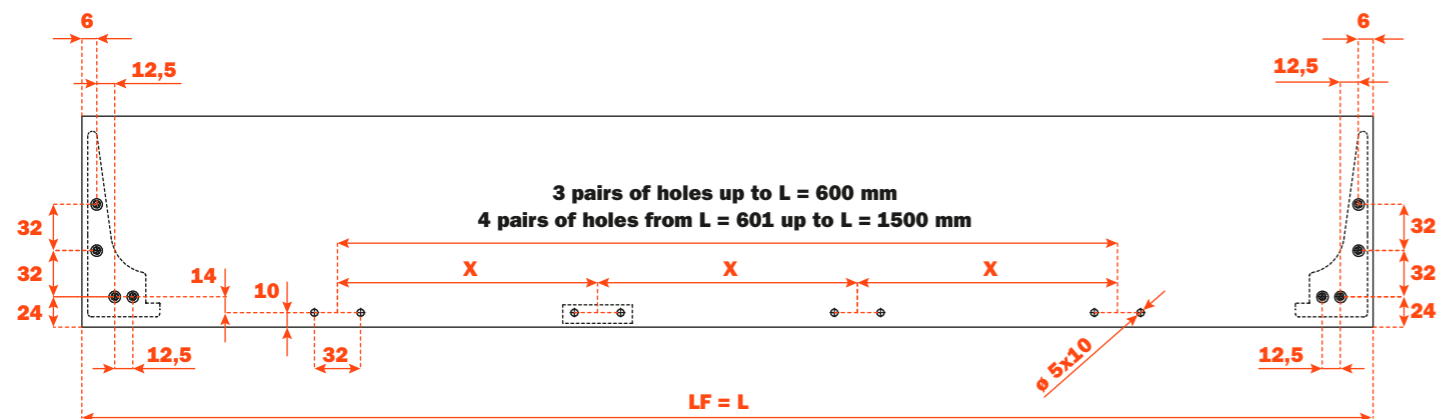
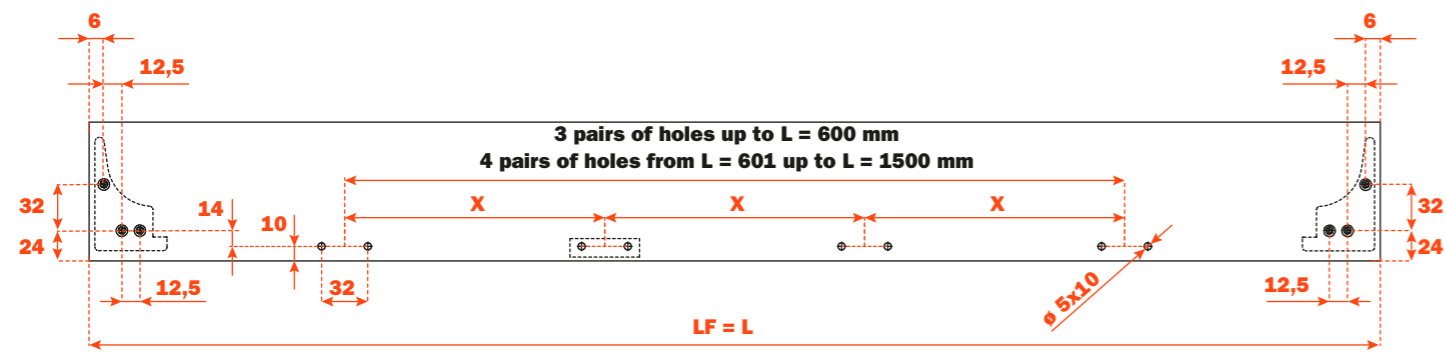
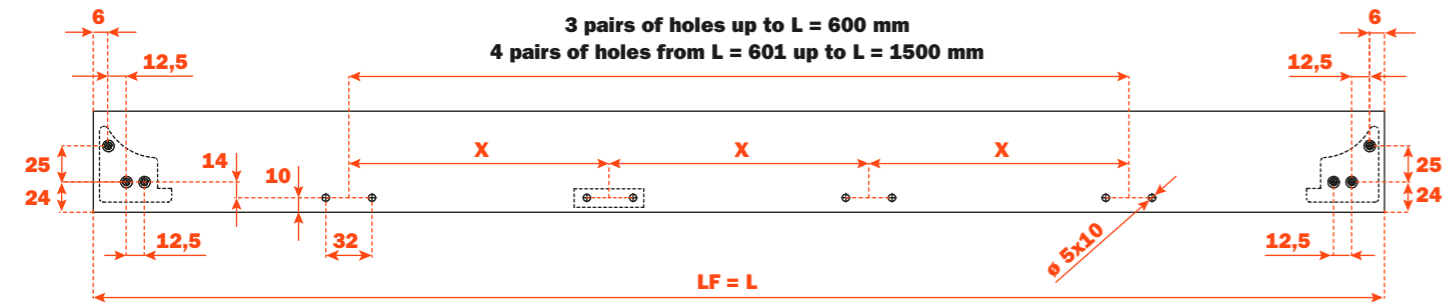
Runner length (LN) mm	4-SIDED drawer/spacer depth (P) mm	3-SIDED drawer/spacer depth (P) mm + wooden frontal 12 mm or glass frontal 6+6 mm	3-SIDED drawer/spacer depth (P) mm + wooden frontal 19 mm or glass frontal 6+13 mm
350	390	390	397
400	440	440	447
450	490	490	497
470	510	510	517
500	540	540	547

Excessories - pull-out - spacers

Spacers with 3-SIDED drawer for WOODEN FRONTAL



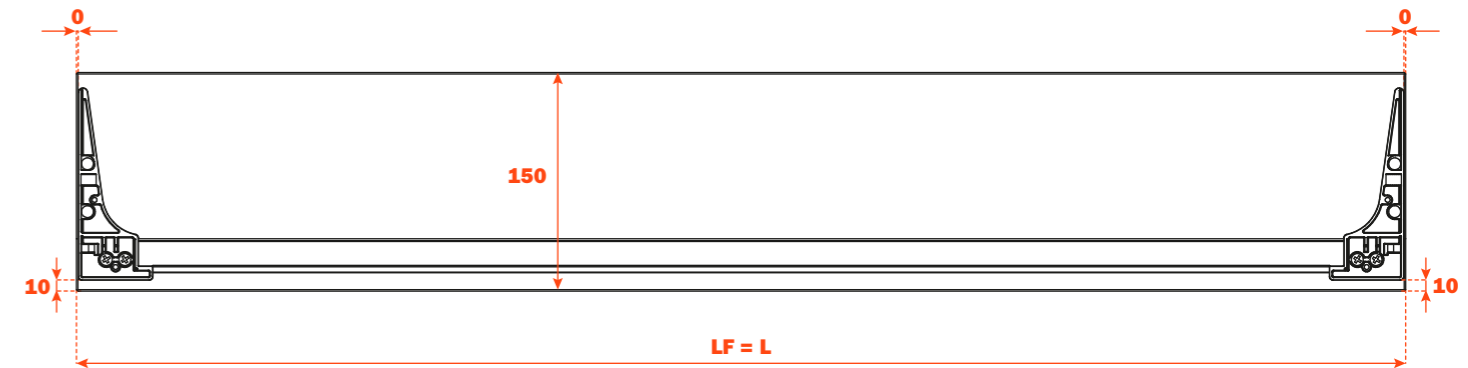
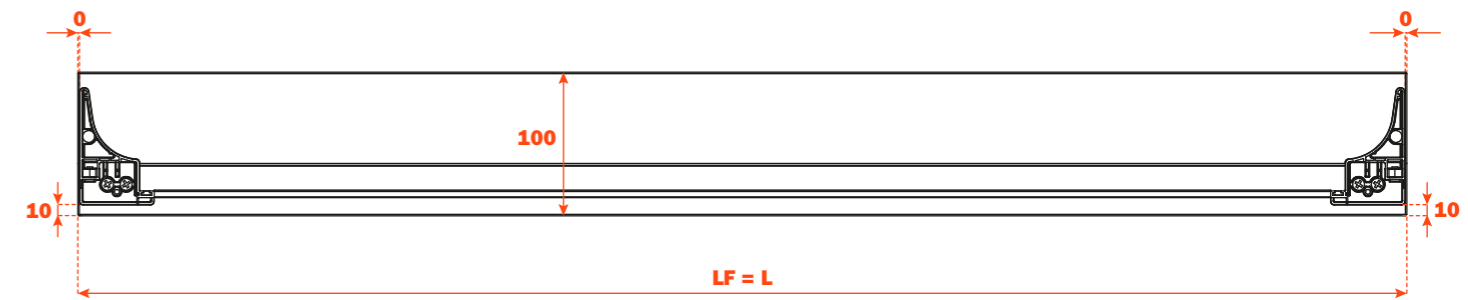
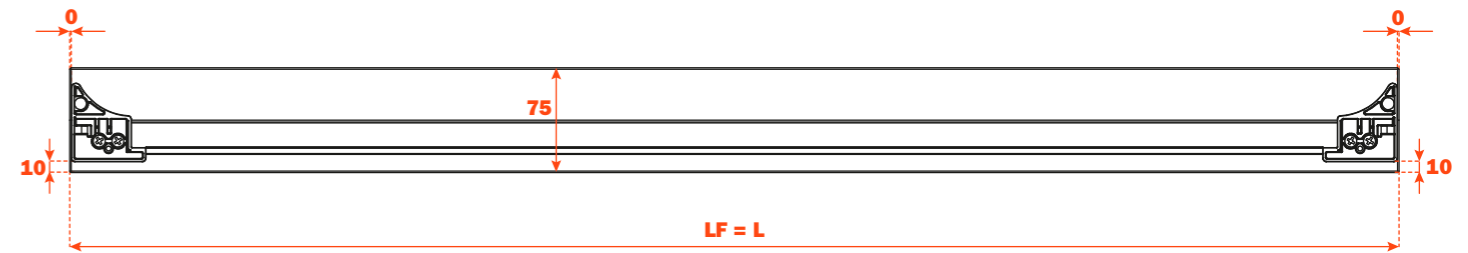
Frontal drillings



Spacers with 3-SIDED drawer for GLASS FRONTAL

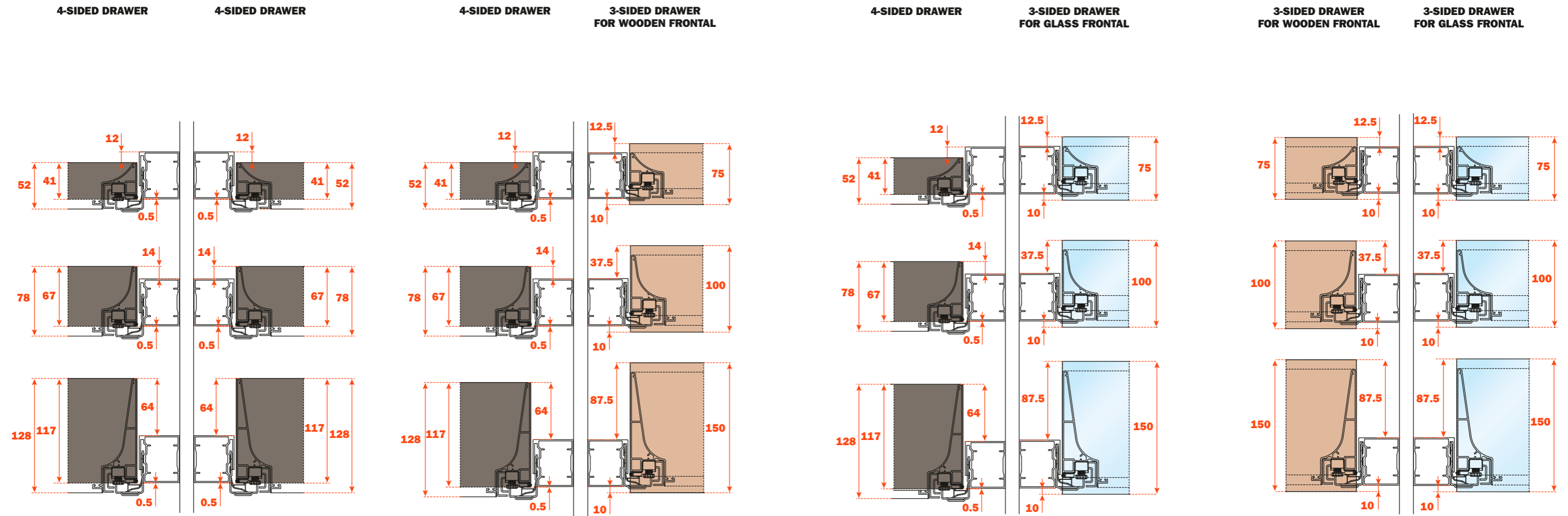


Fixing the profile to the frontal



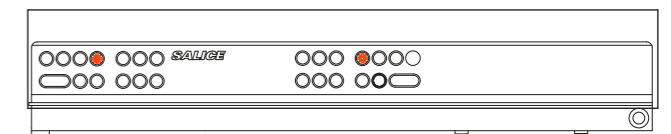
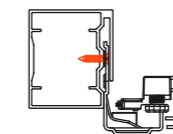
Excessories - pull-out - spacers

Guidelines to fix spacers



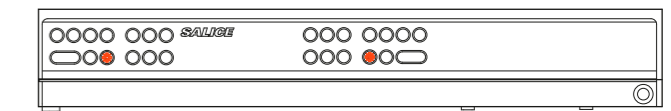
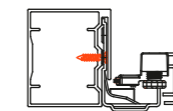
FIXING 4-SIDED DRAWERS

It is recommended that the runners are fixed to the cabinet using the upper holes



FIXING 3-SIDED DRAWERS

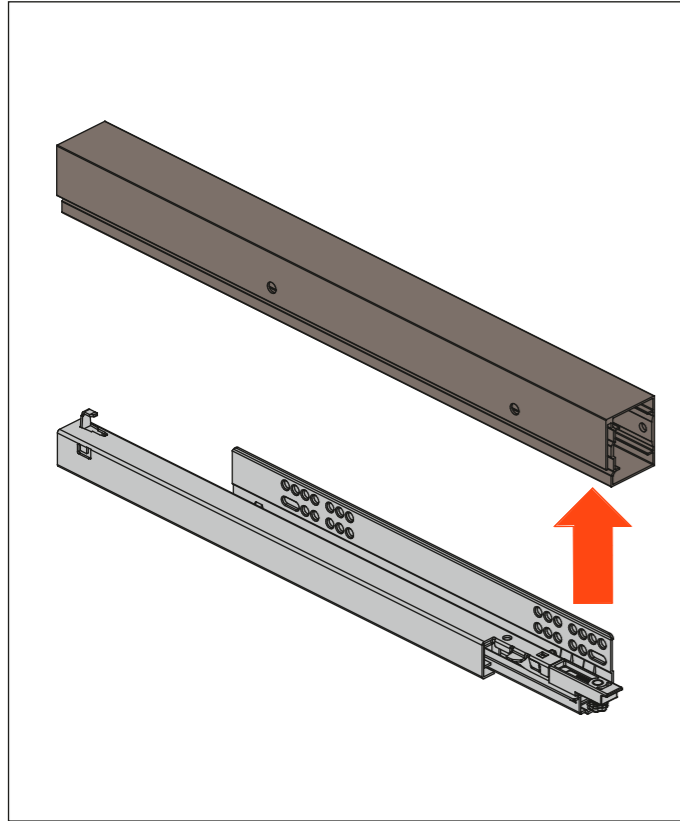
It is recommended that the runners are fixed to the cabinet using the lower holes



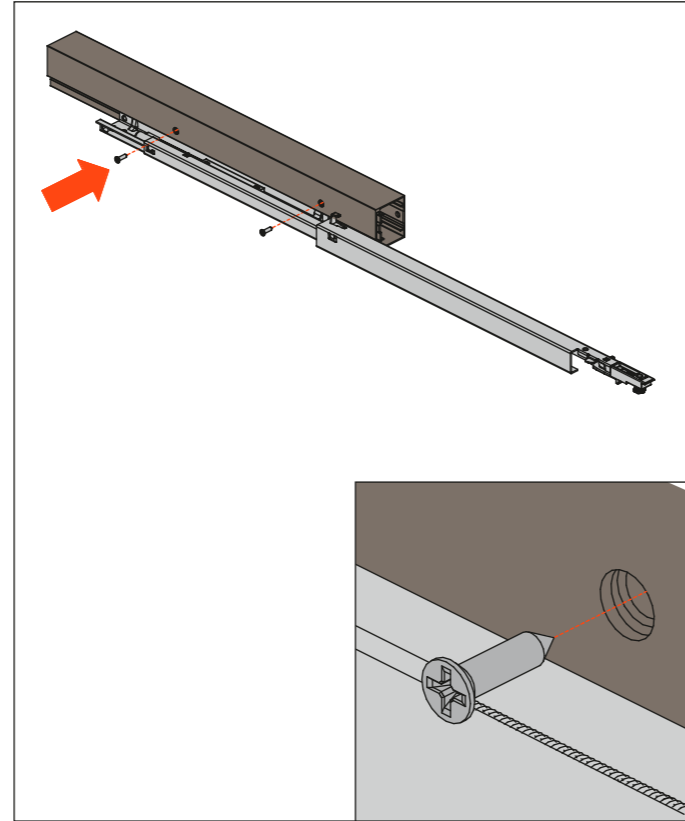
Excessories - pull-out - spacers - assembly instructions

The spacers enable the drawer to be fully opened without impedance from hinged or sliding doors. They feature an innovative quick-fixing device which ensures that the runners are correctly and accurately installed.

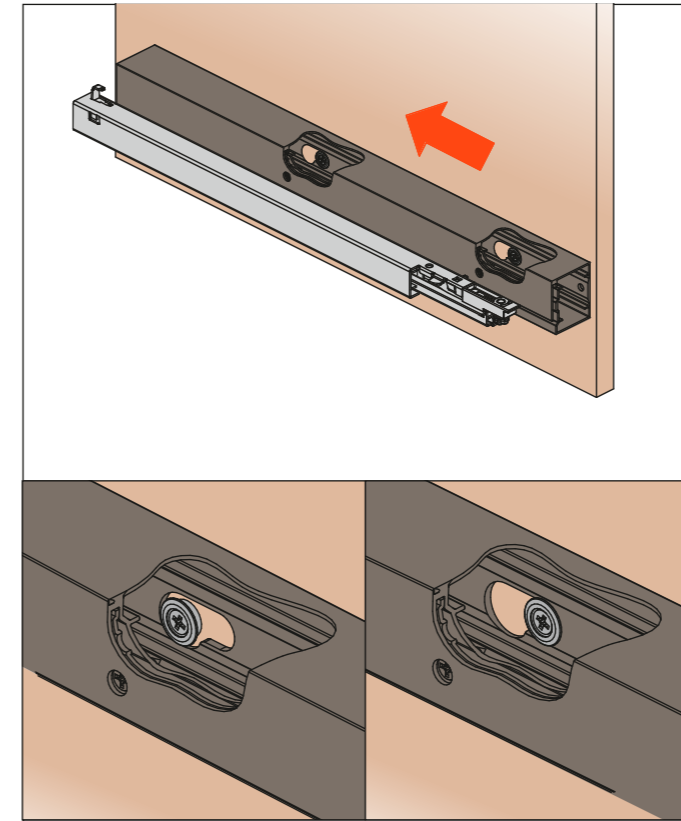
1. Insert the runner into the spacer



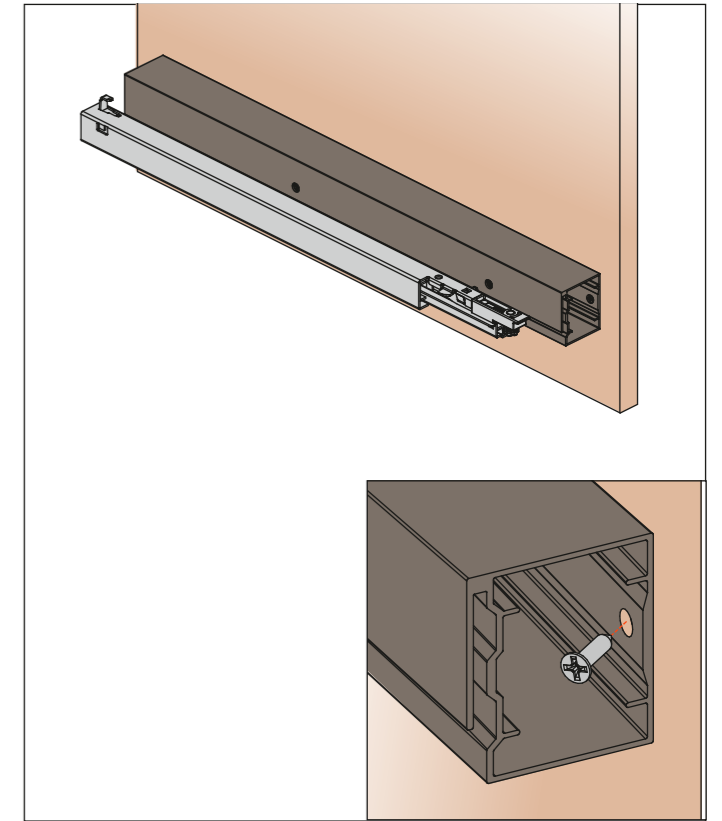
2. Fix the runner to the spacer using the screws provided



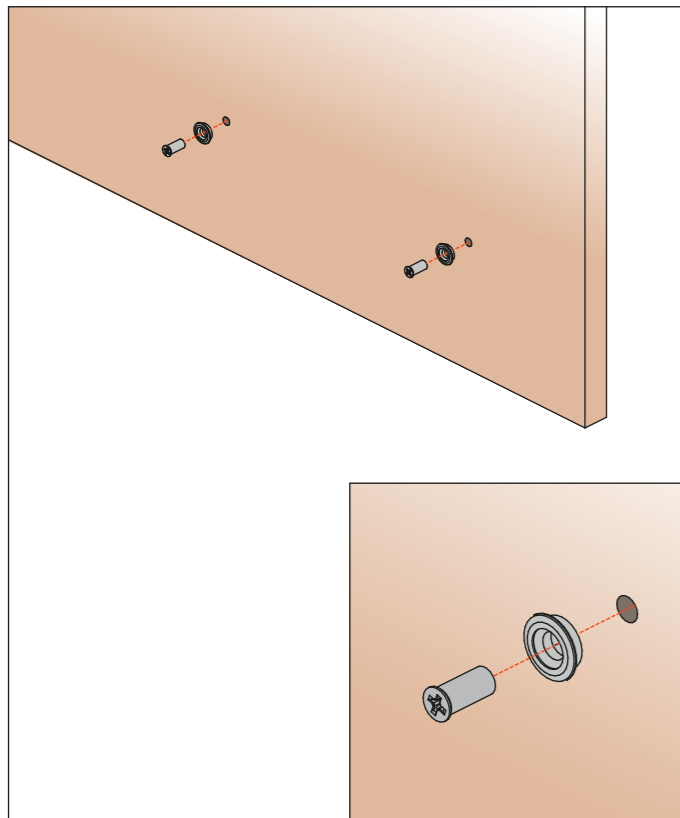
5. Slide the spacer backwards to locate the supports in their keyhole recesses



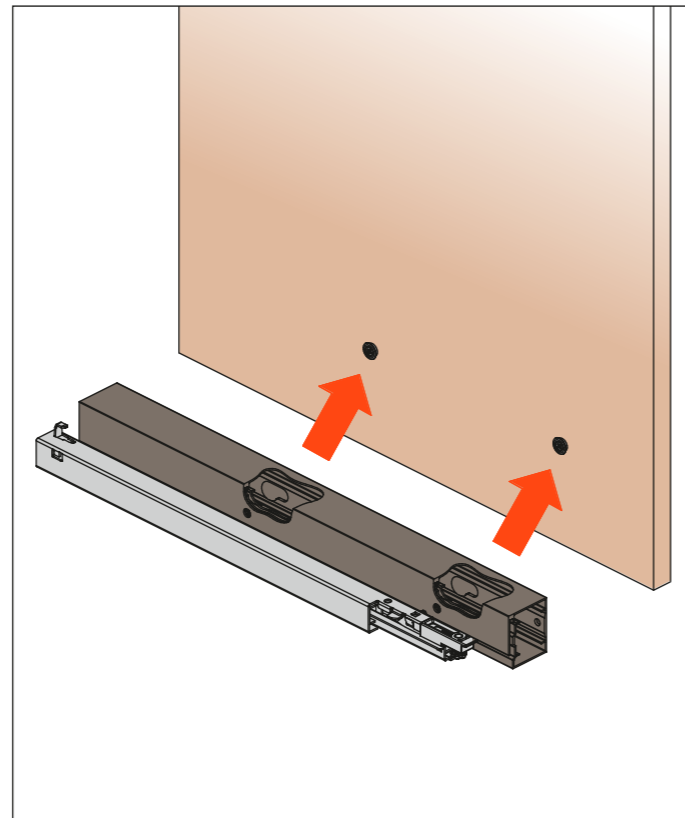
6. Secure the spacer in position using the front fixing screw



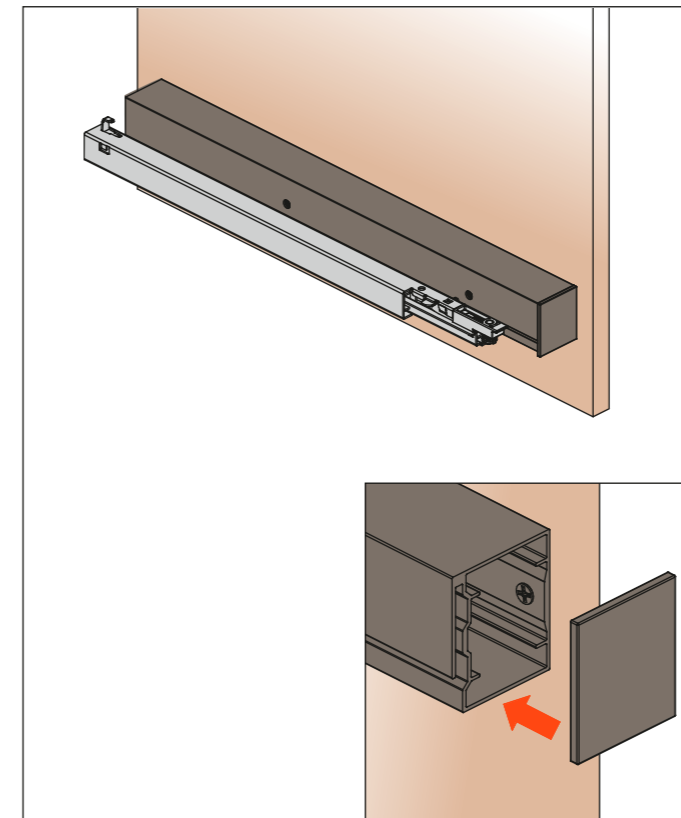
3. Screw-fix the spacer supports to the cabinet side



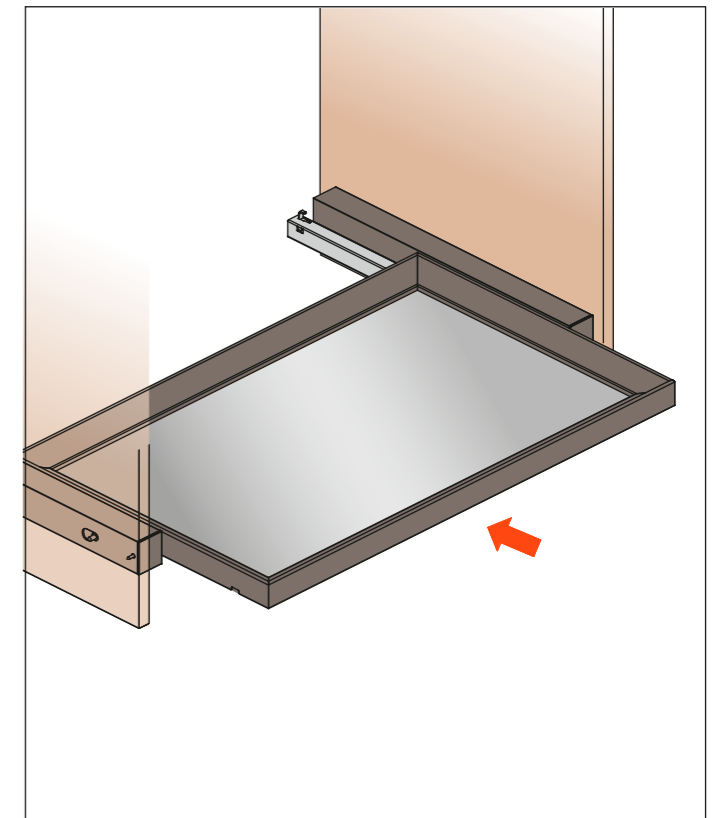
4. Position the spacer onto the supports



7. Insert the end caps



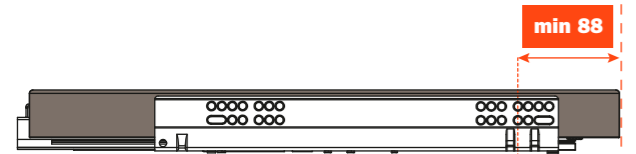
8. Install the drawer onto the runners



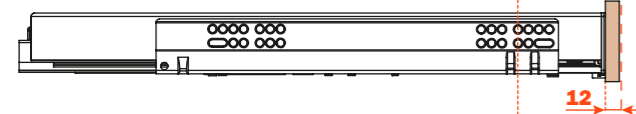
Excessories - pull-out - drawers alignment

With the same side drilling, 4-sided drawers are **frontally aligned** with 3-sided drawers with wooden frontal (12 mm thickness) and with 3-sided drawers with glass frontal (6 mm thickness + 6 mm profile thickness), as illustrated below.

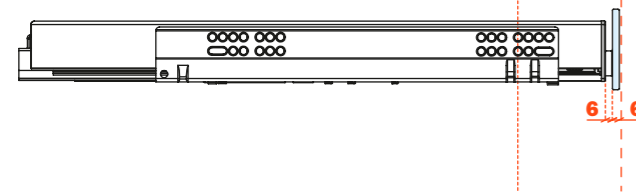
4-SIDED drawer



3-SIDED drawer for wooden frontal, 12 mm thickness

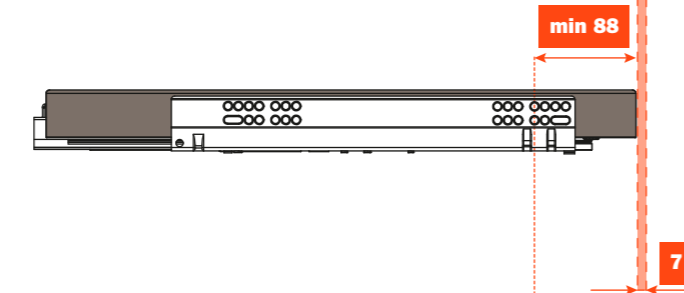


3-SIDED drawer for glass frontal, 6 mm thickness + profile, 6 mm thickness

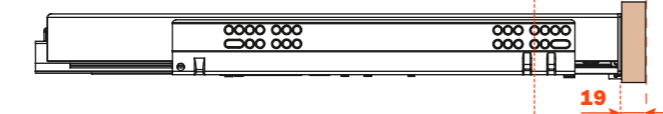


With the same side drilling, 4-sided drawers are **not frontally aligned** with 3-sided drawers with wooden frontal (19 mm thickness) and with 3-sided drawers with glass frontal (6 mm thickness + 13 mm profile thickness), as illustrated below.

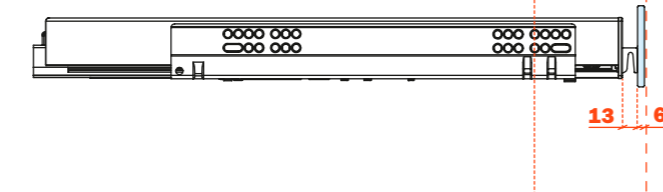
4-SIDED drawer



3-SIDED drawer for wooden frontal, 19 mm thickness



3-SIDED drawer for glass frontal, 6 mm thickness + profile, 13 mm thickness



Excessories - pull-out - cover for runner

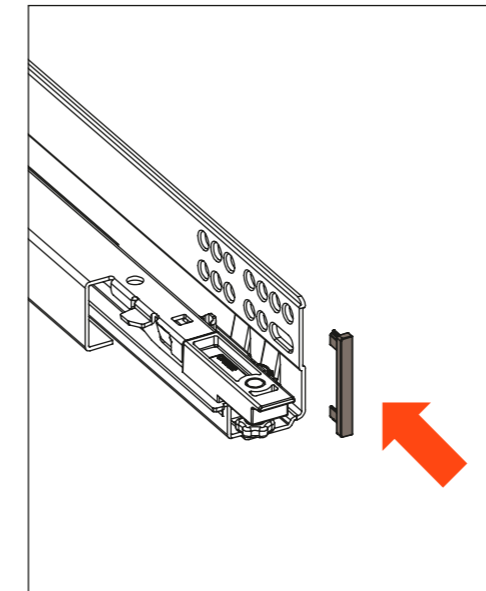
VE80FXGA00433B = Pair of covers for Futura runners, length 350 mm
VE80FXGA00533B = Pair of covers for Futura runners, length 400 mm
VE80FXGA00633B = Pair of covers for Futura runners, length 450 mm
VE80FXGA00733B = Pair of covers for Futura runners, length 470 mm
VE80FXGA00833B = Pair of covers for Futura runners, length 500 mm

Cover for runner

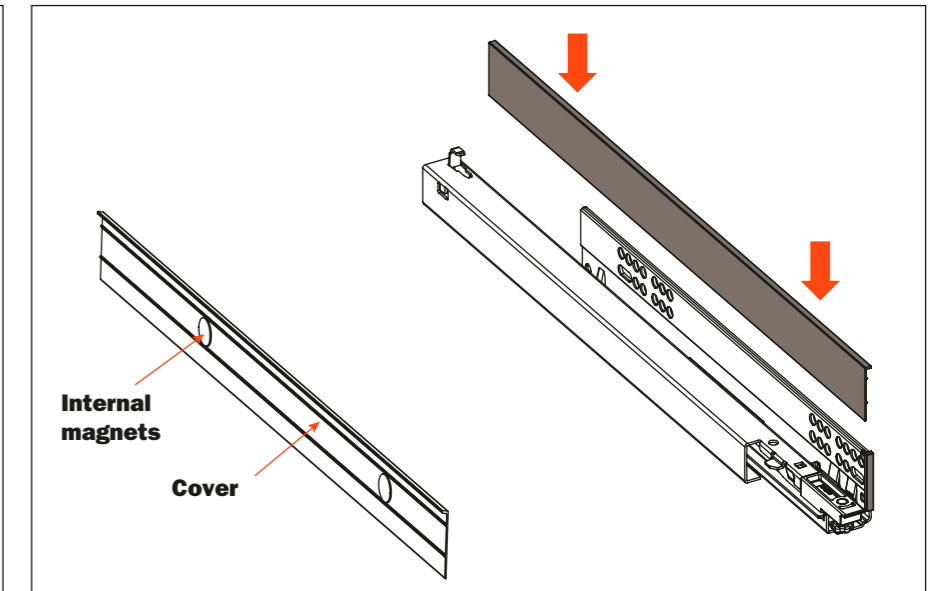
- Cover material: epoxy-coated aluminium, with magnets to fix the runner
- End cap material: plastic
- Finish: metal grey brown
- Packing: 20 pieces per box, magnets included
- Assembly with magnet



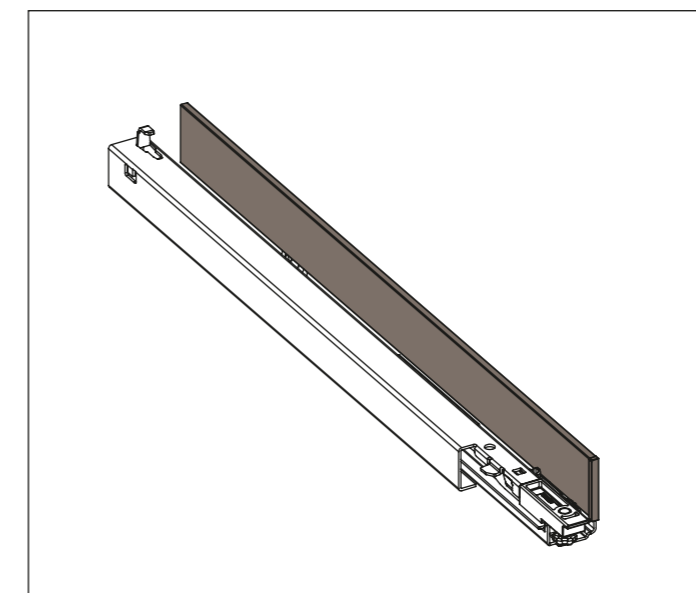
1. Insert the end cap into the runner



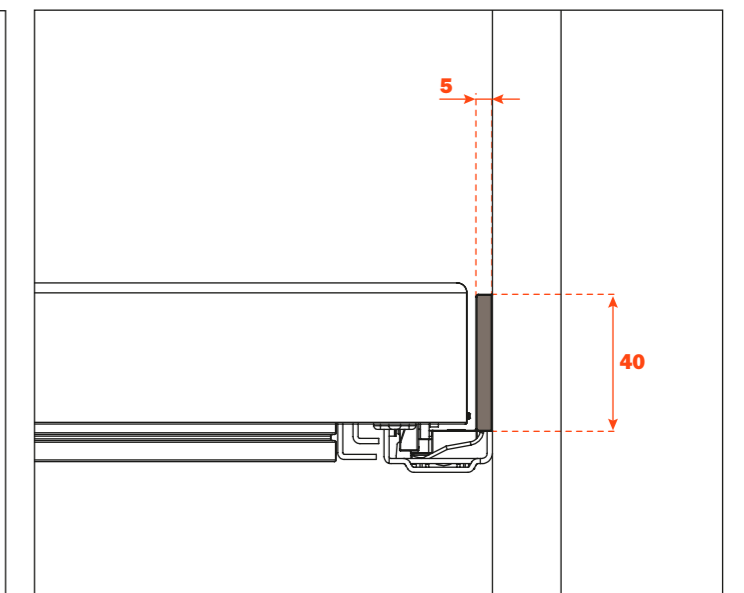
2. Fix the cover to the runner



3. Cover in place



4. Space required

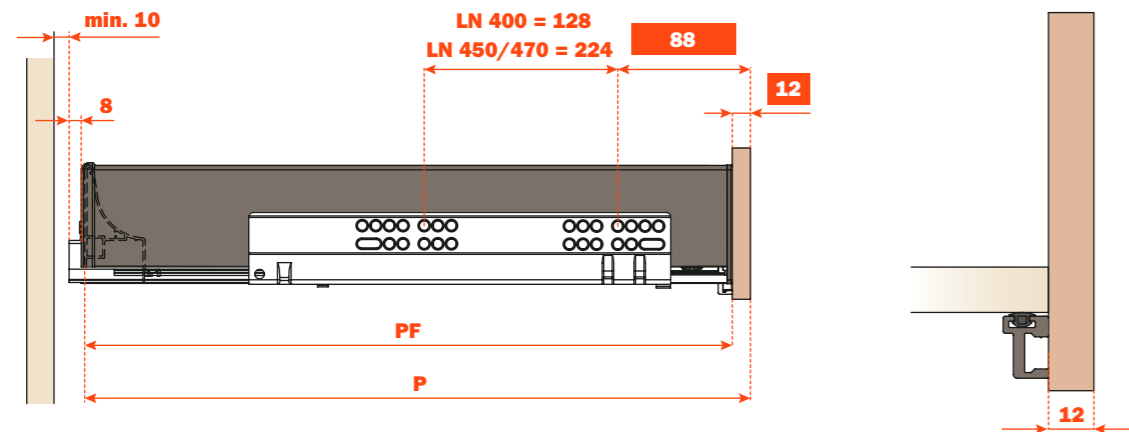




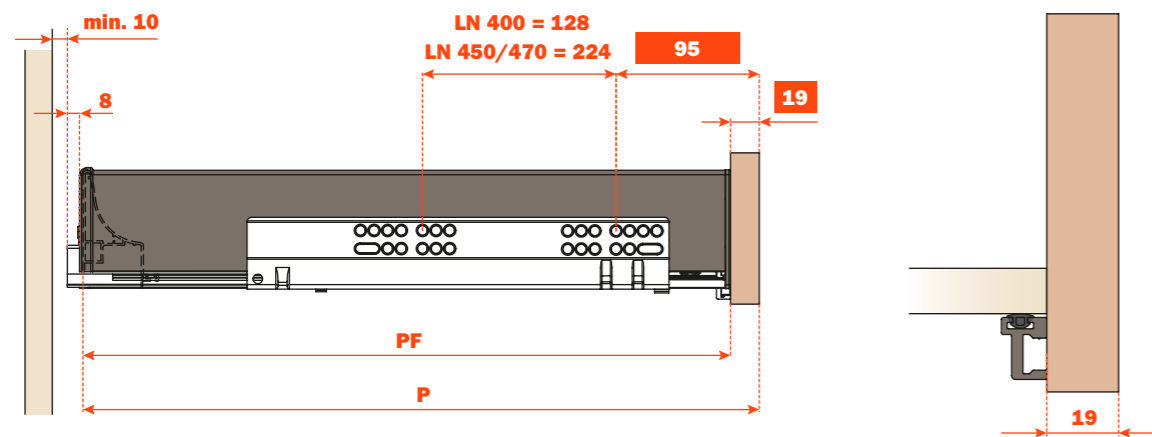
Modular drawer

Excessories - modular drawer - Technical information

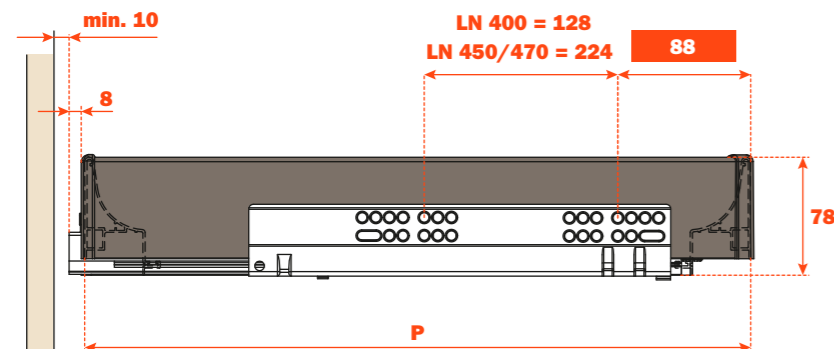
3-SIDED drawer - For wooden frontal, thickness 12 mm



3-SIDED drawer - For wooden frontal, thickness 19 mm



4-SIDED drawer

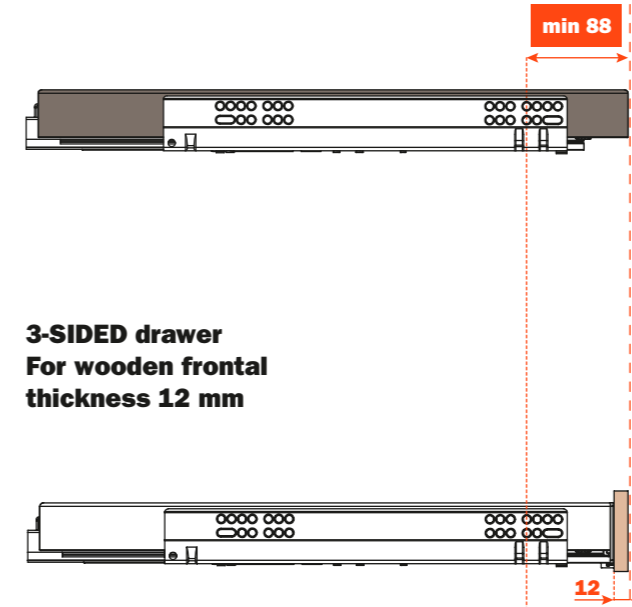


Runner length (LN) mm	Drawer depth (PF) mm	Drawer depth 3-SIDED (P) mm + wooden frontal 12 mm	Drawer depth 3-SIDED (P) mm + wooden frontal 19 mm	Drawer depth 4-SIDED (P) mm
400	428	440	447	440
450	478	490	497	490
470	498	510	517	510

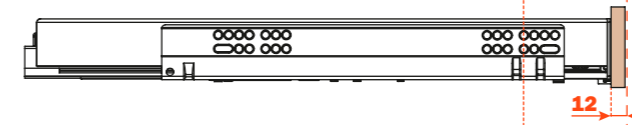
Technical information - Drawers alignment

With the same side drilling, 4-sided drawers are frontally aligned with 3-sided drawers with wooden frontal (12 mm thickness) as illustrated below.

4-SIDED drawer

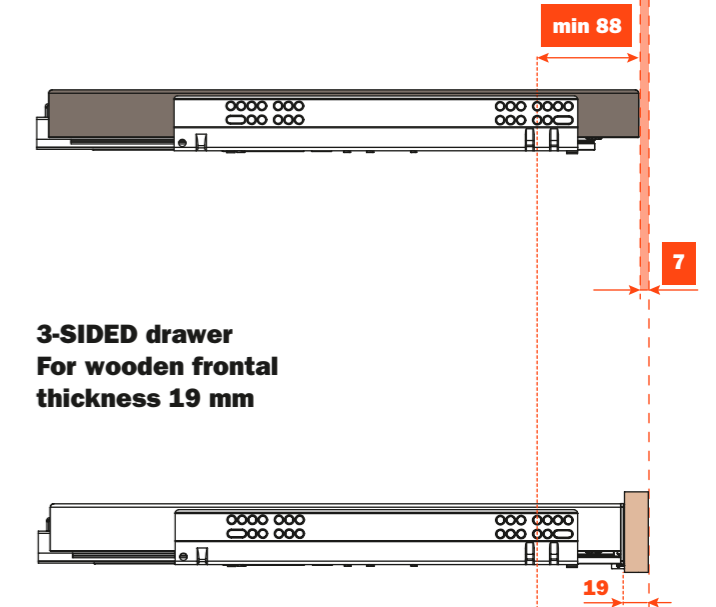


3-SIDED drawer For wooden frontal thickness 12 mm

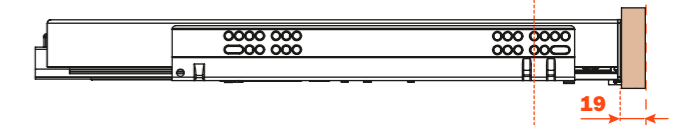


With the same side drilling, 4-sided drawers are not frontally aligned with 3-sided drawers with wooden frontal (19 mm thickness), as illustrated below.

4-SIDED drawer

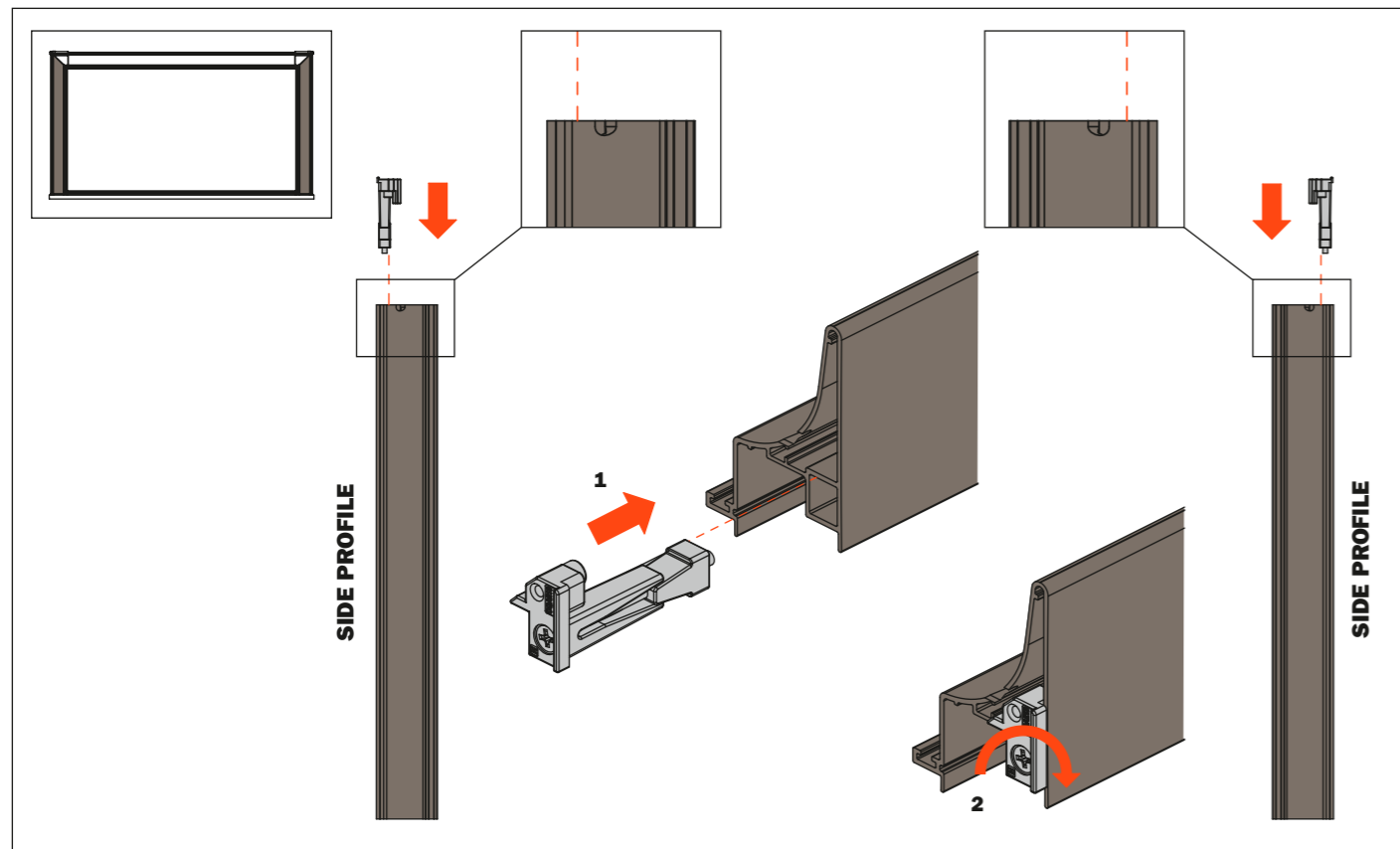
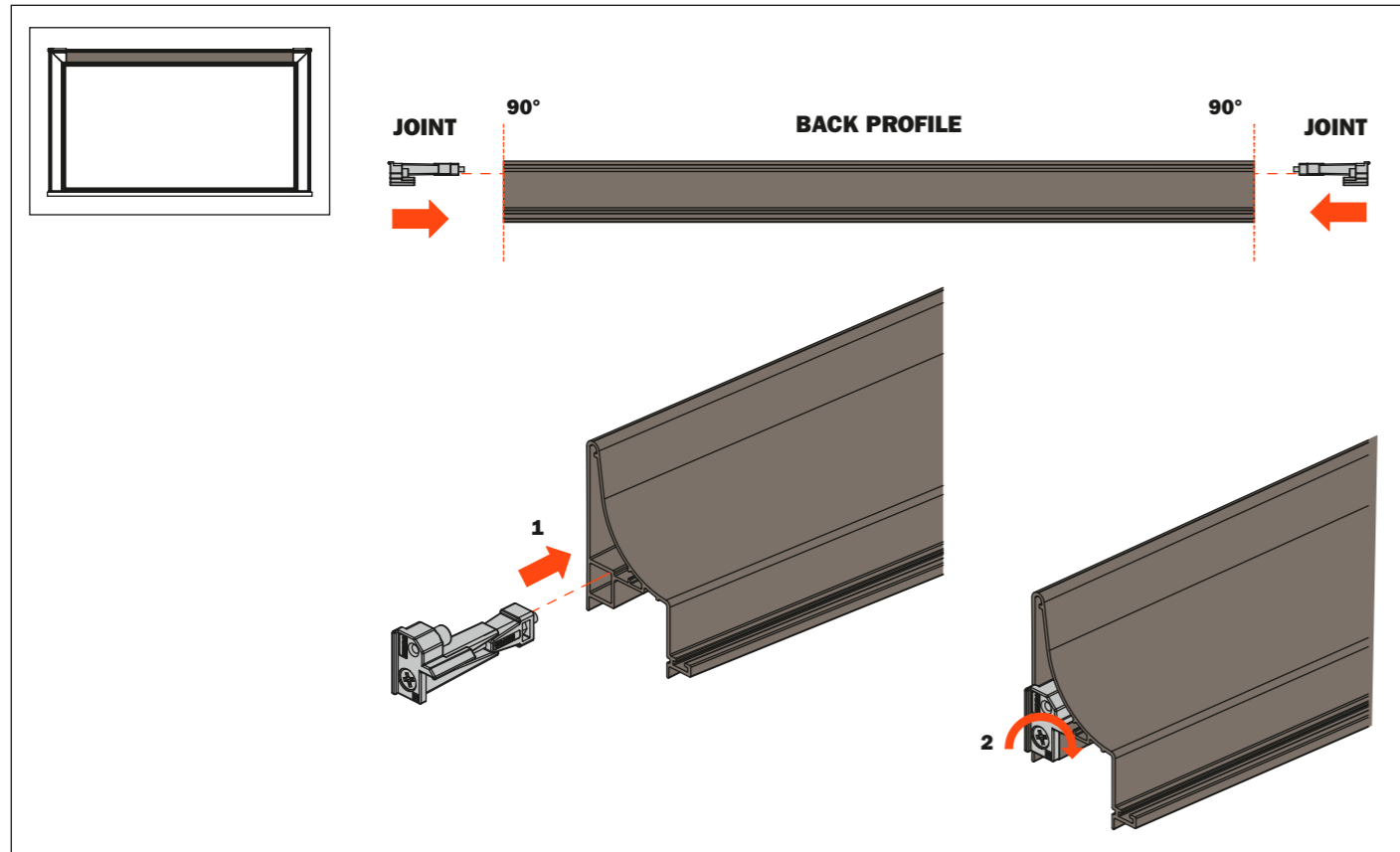


3-SIDED drawer For wooden frontal thickness 19 mm

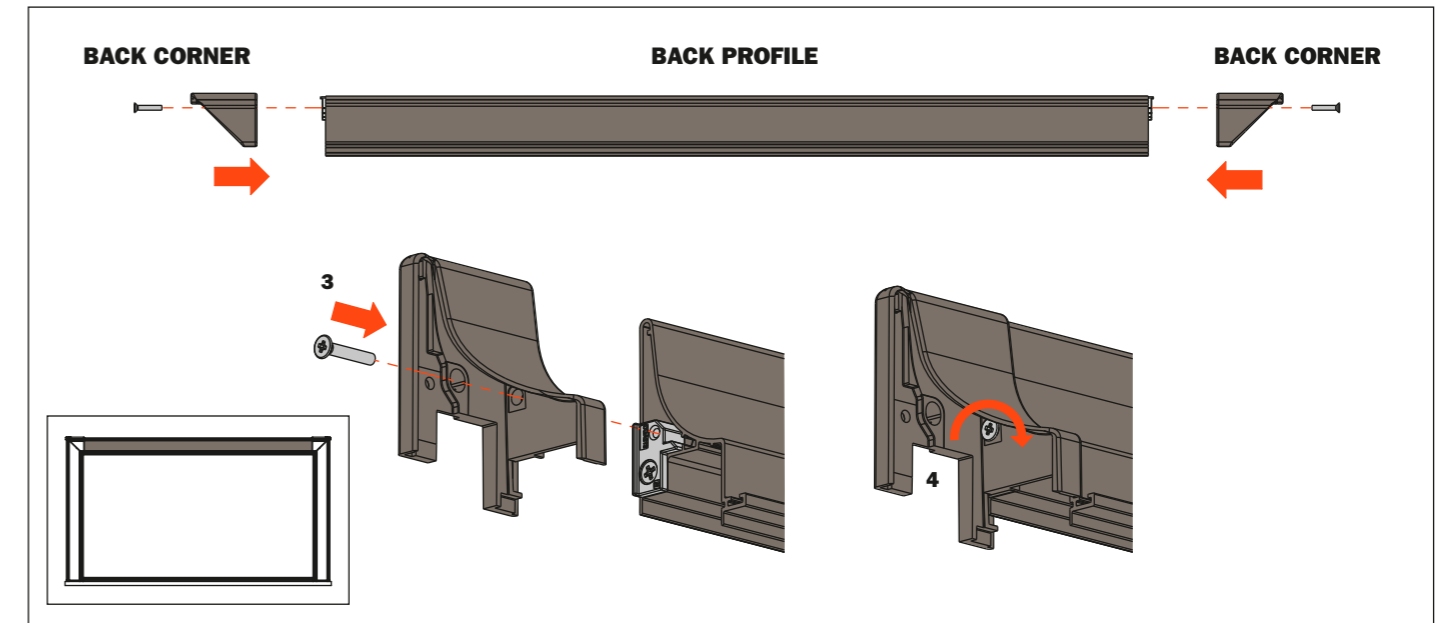


BACK PROFILE

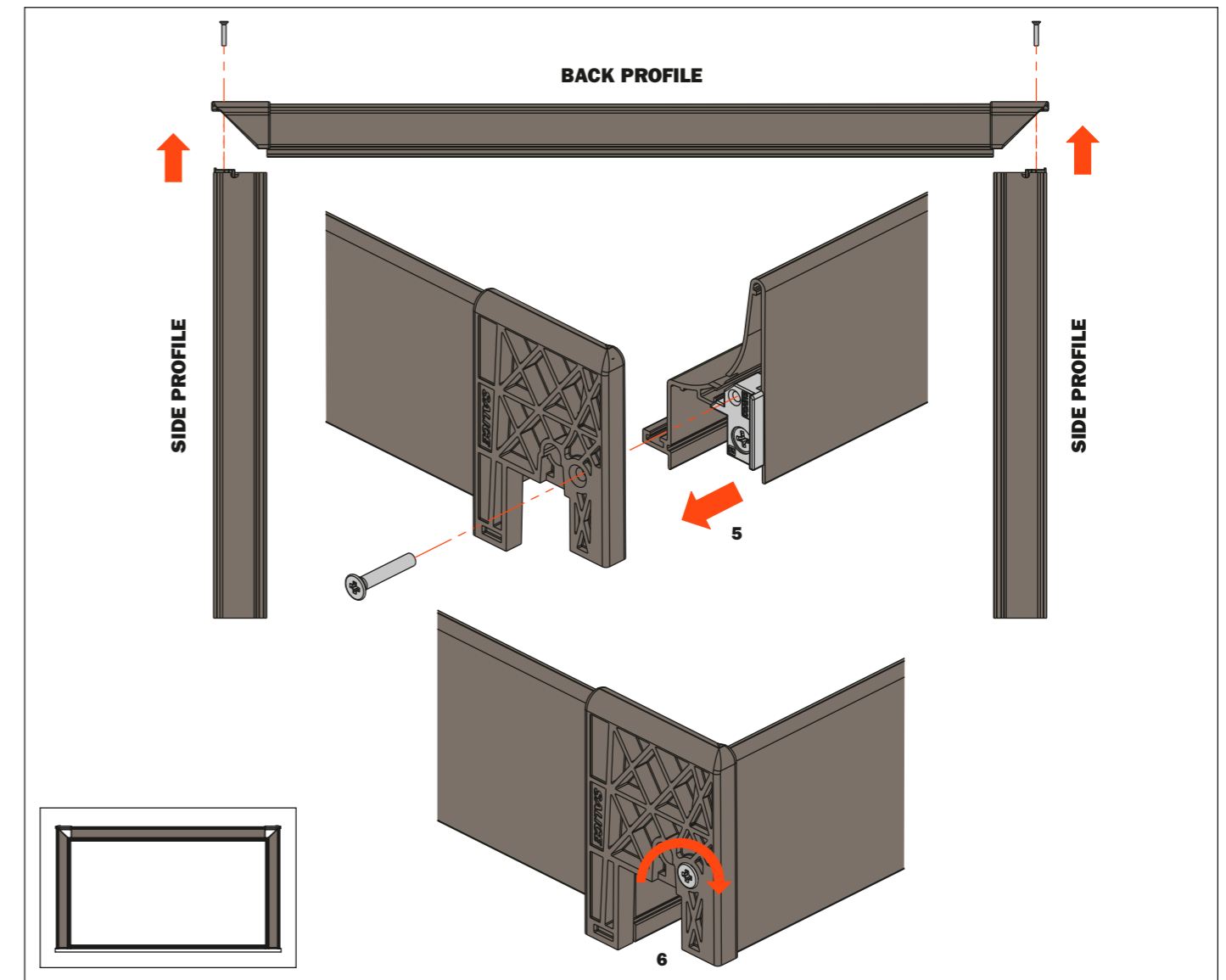
1. Insert the joints into the recess of the back profile and into the side profiles until they reach the stop
Back profile to cut to length, 90° mitre cut end, see pages 23, 25, 27
2. Hold the joints in position and screw to fix



3. Insert the back corners onto the back profile until they reach the stop
4. Screw to fix the corners onto the joints



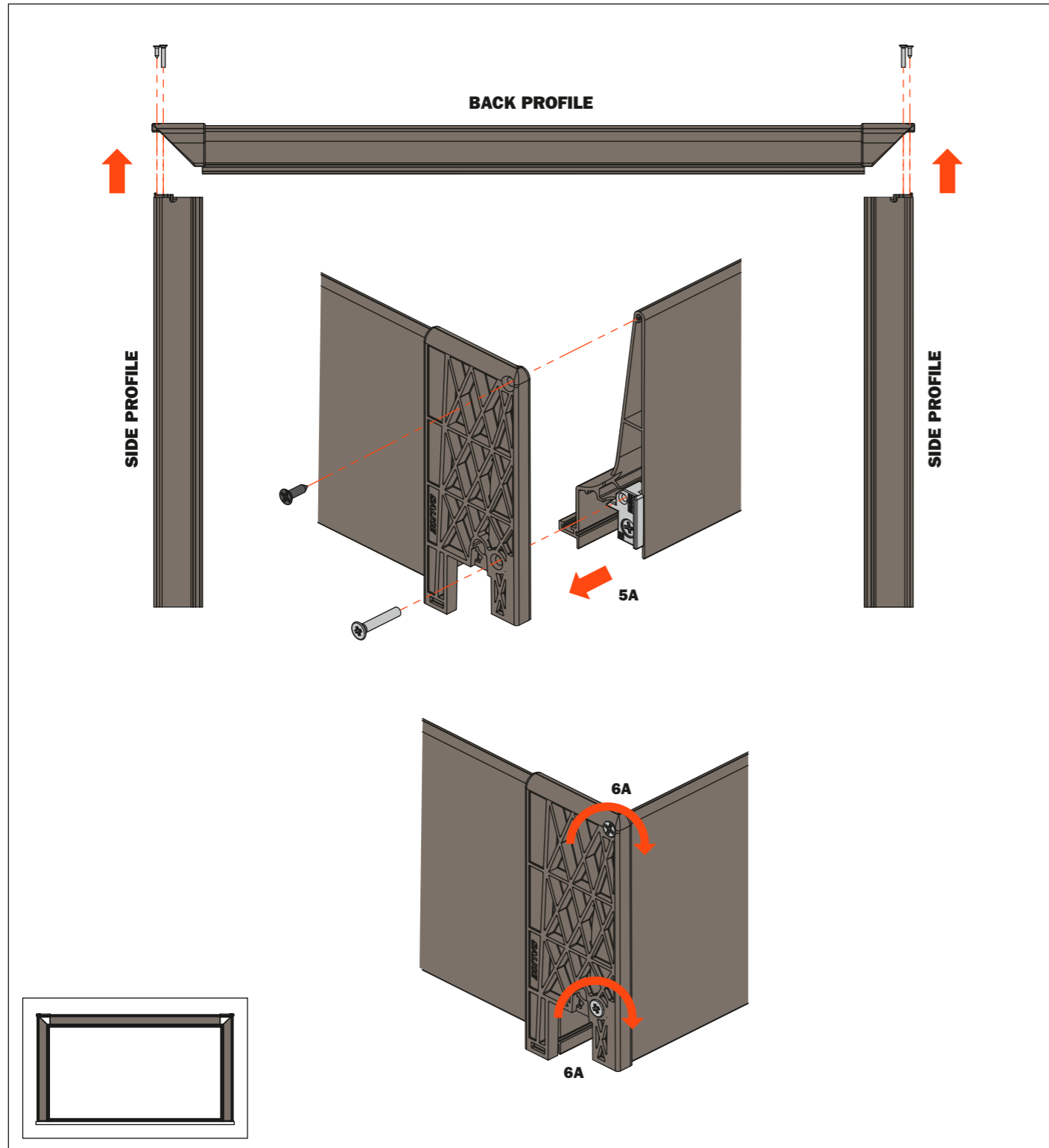
5. Insert the side profiles into the corners
6. Screw to fix the corners onto the joints



ADDITIONAL SCREW TO FIX THE BACK PROFILE WITH SIDE H 128

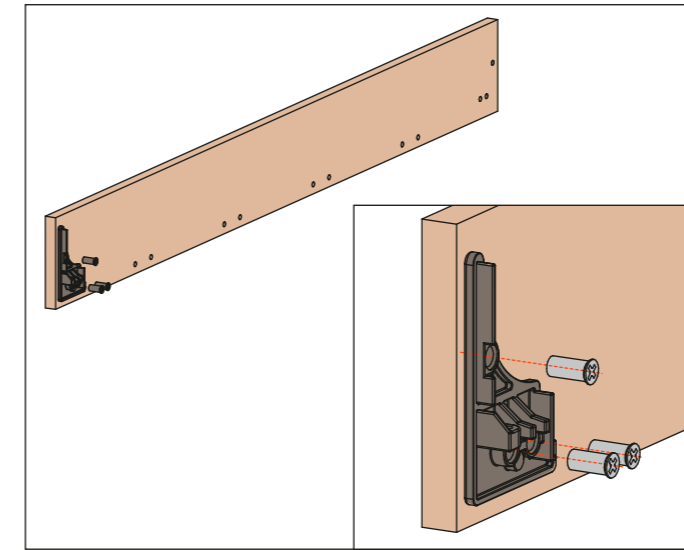
5A. Insert the side profiles into the corners

6A. Screw both the screws to fix the corners onto the joints and to fasten the profile

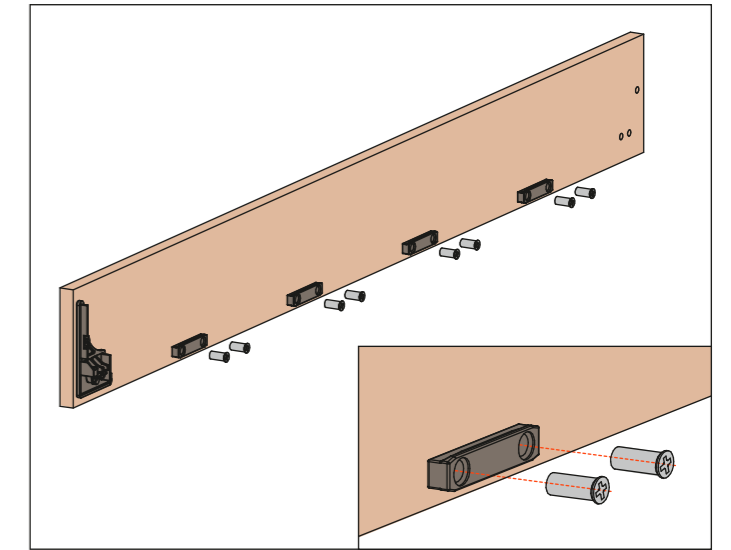


KIT FOR THE ASSEMBLY OF THE WOODEN FRONTAL

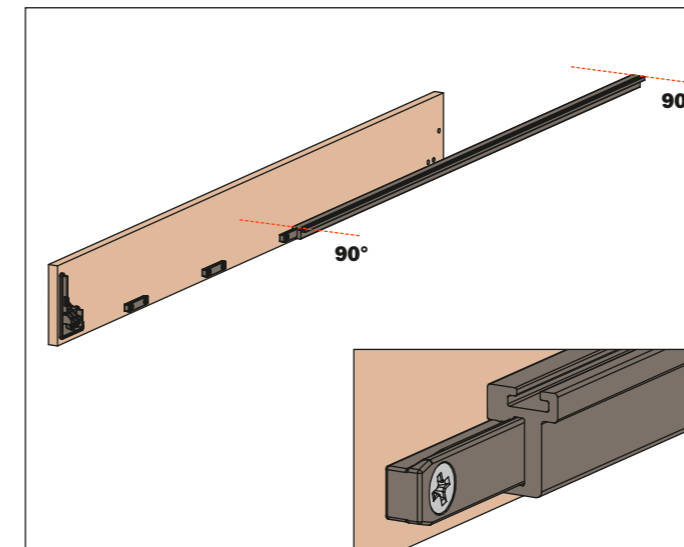
1. Screw the first cap to the frontal



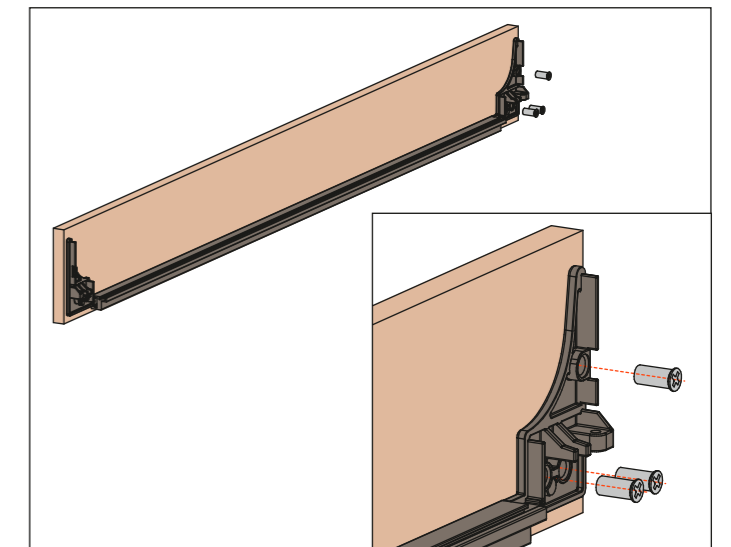
2. Screw the connecting elements to the frontal



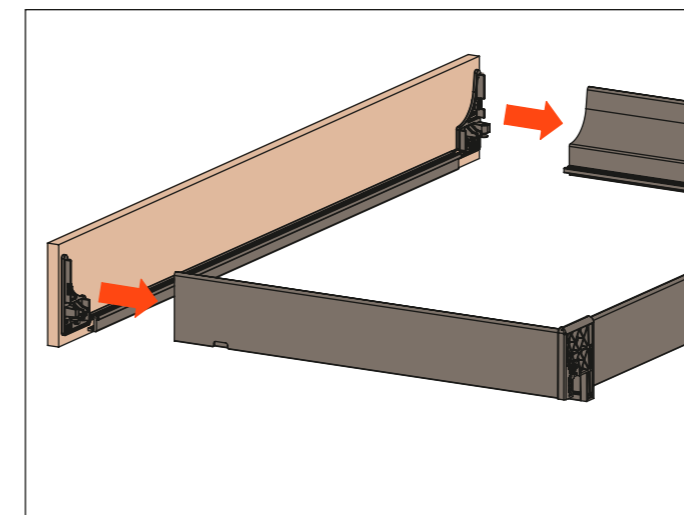
3. Insert and slide the front profile on the connecting elements
Front profile support to cut to length, 90° mitre cut end, see pages 23, 25, 27.



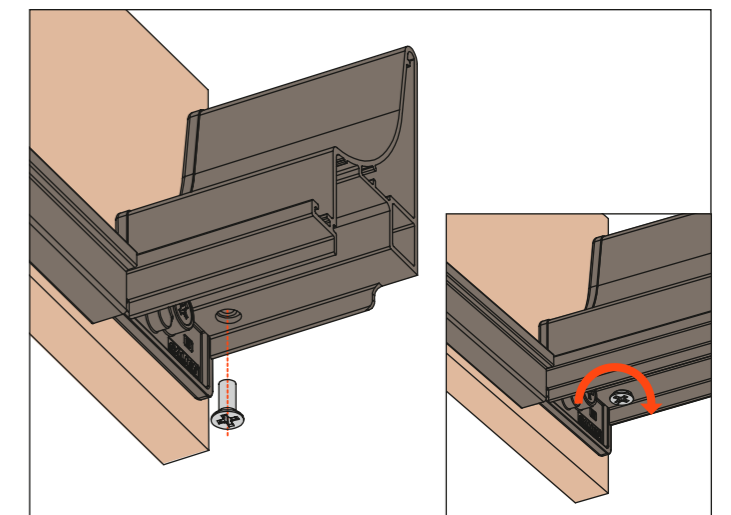
4. Screw the second cap to the frontal



5. Insert the caps in both sides

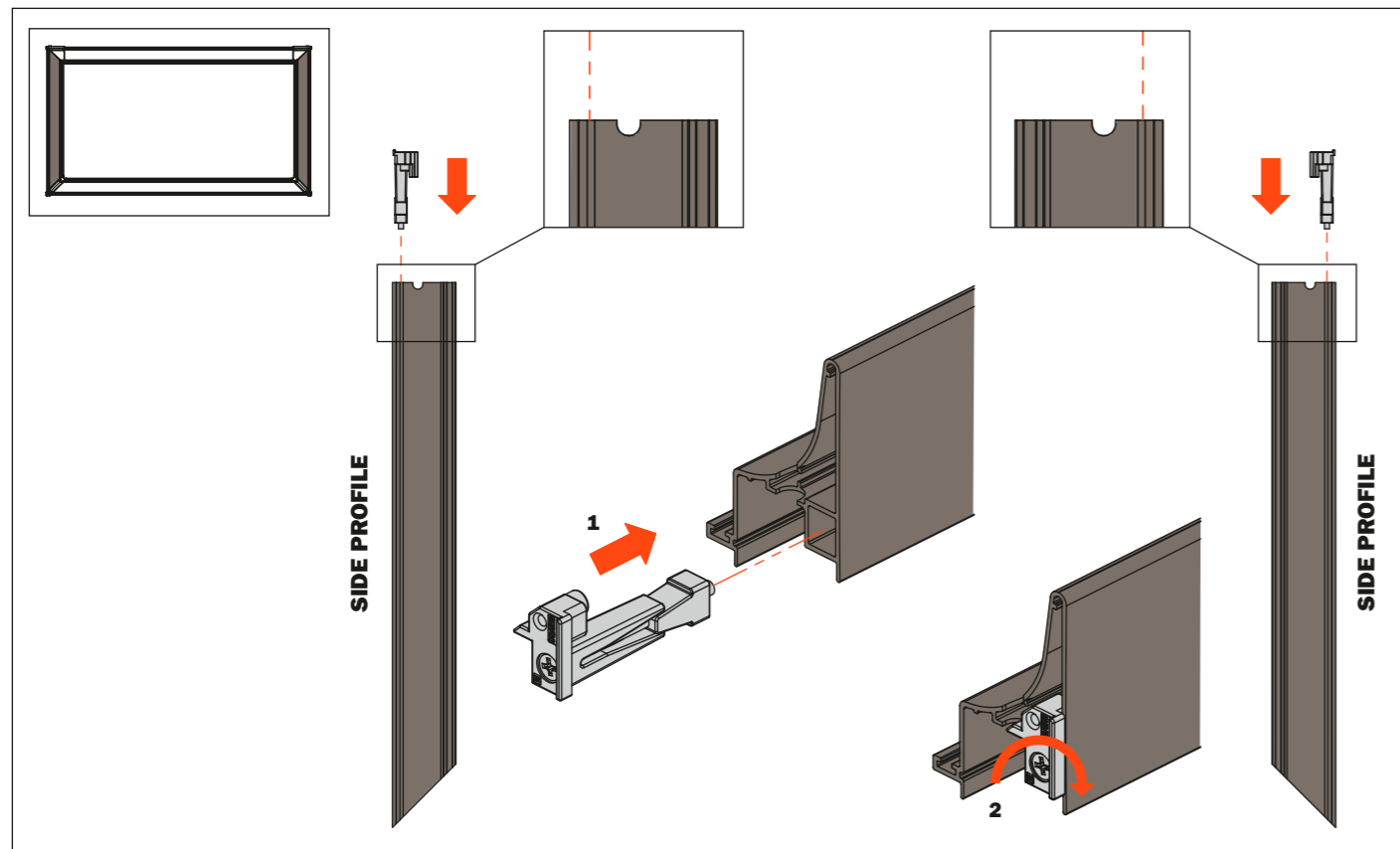
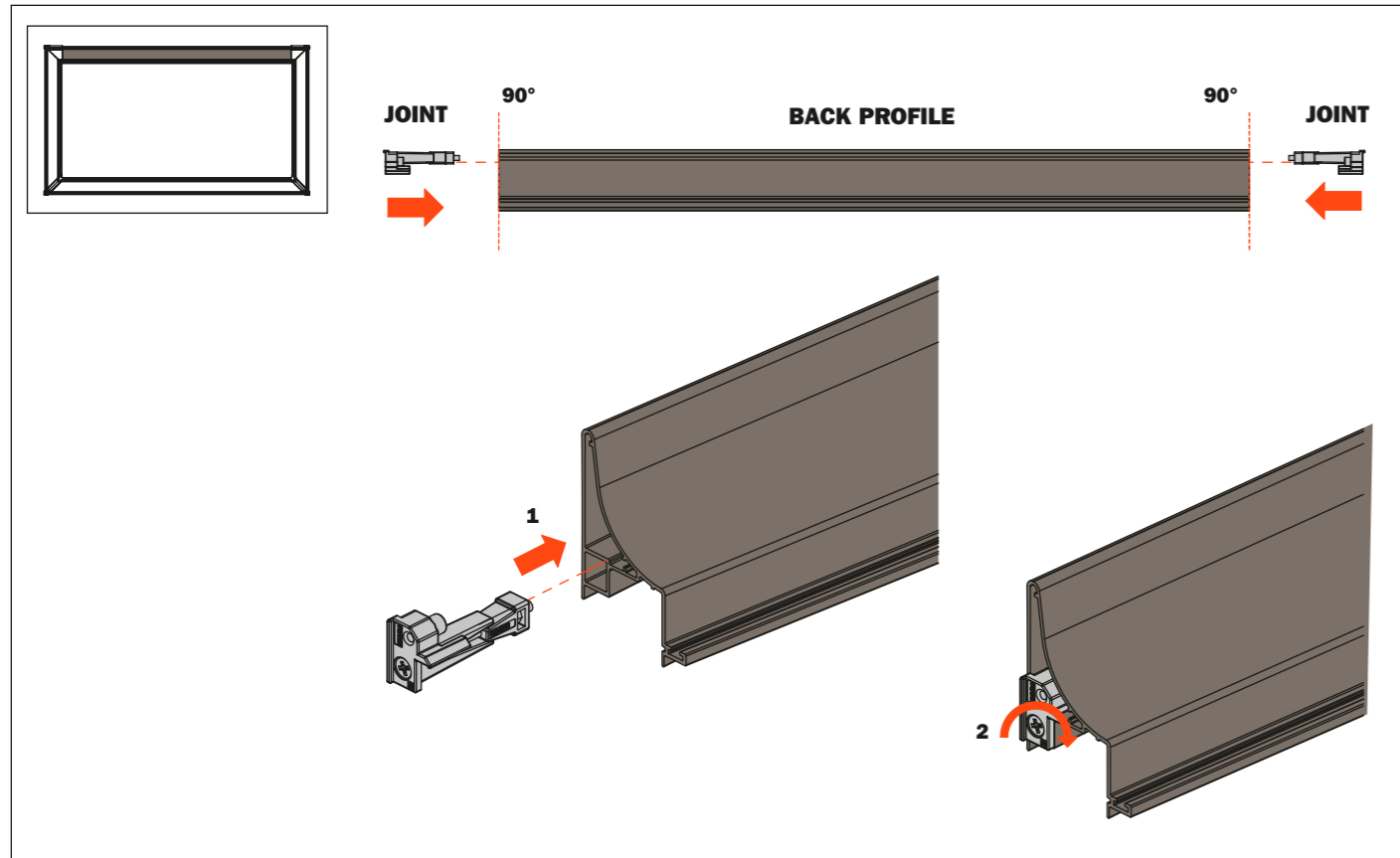


6. Screw to fix the frontal to the drawer

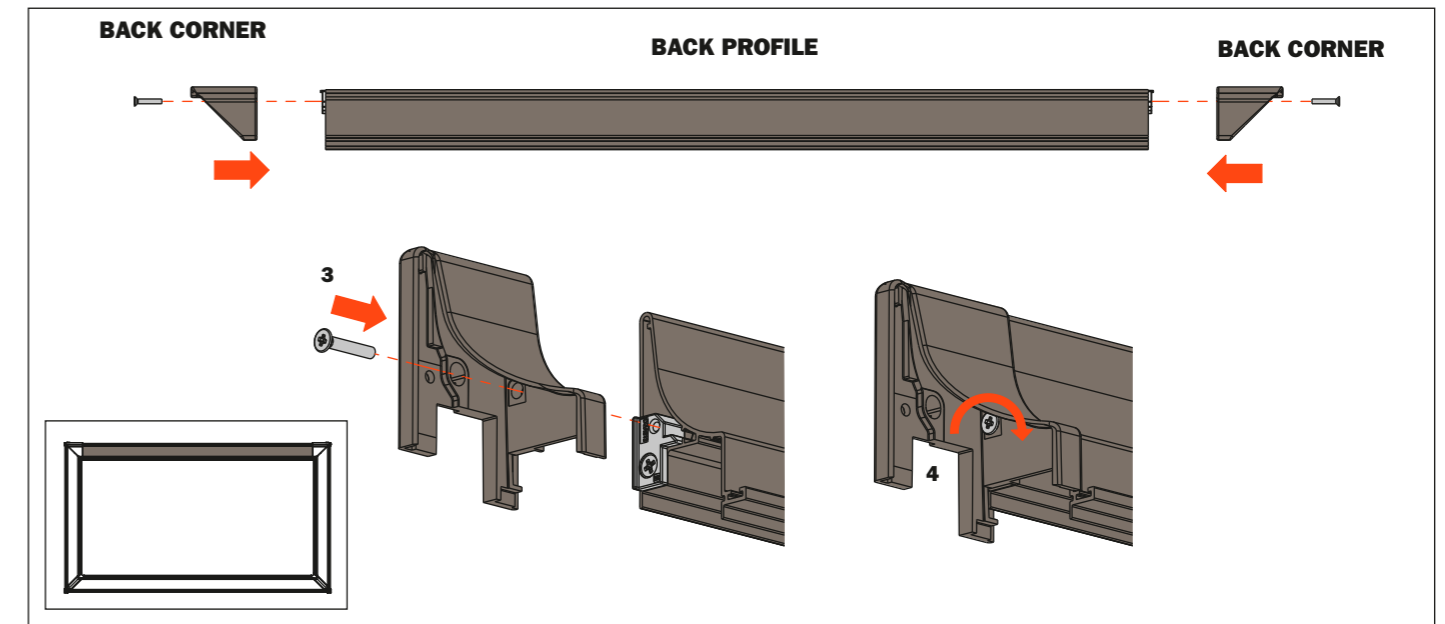


BACK PROFILE

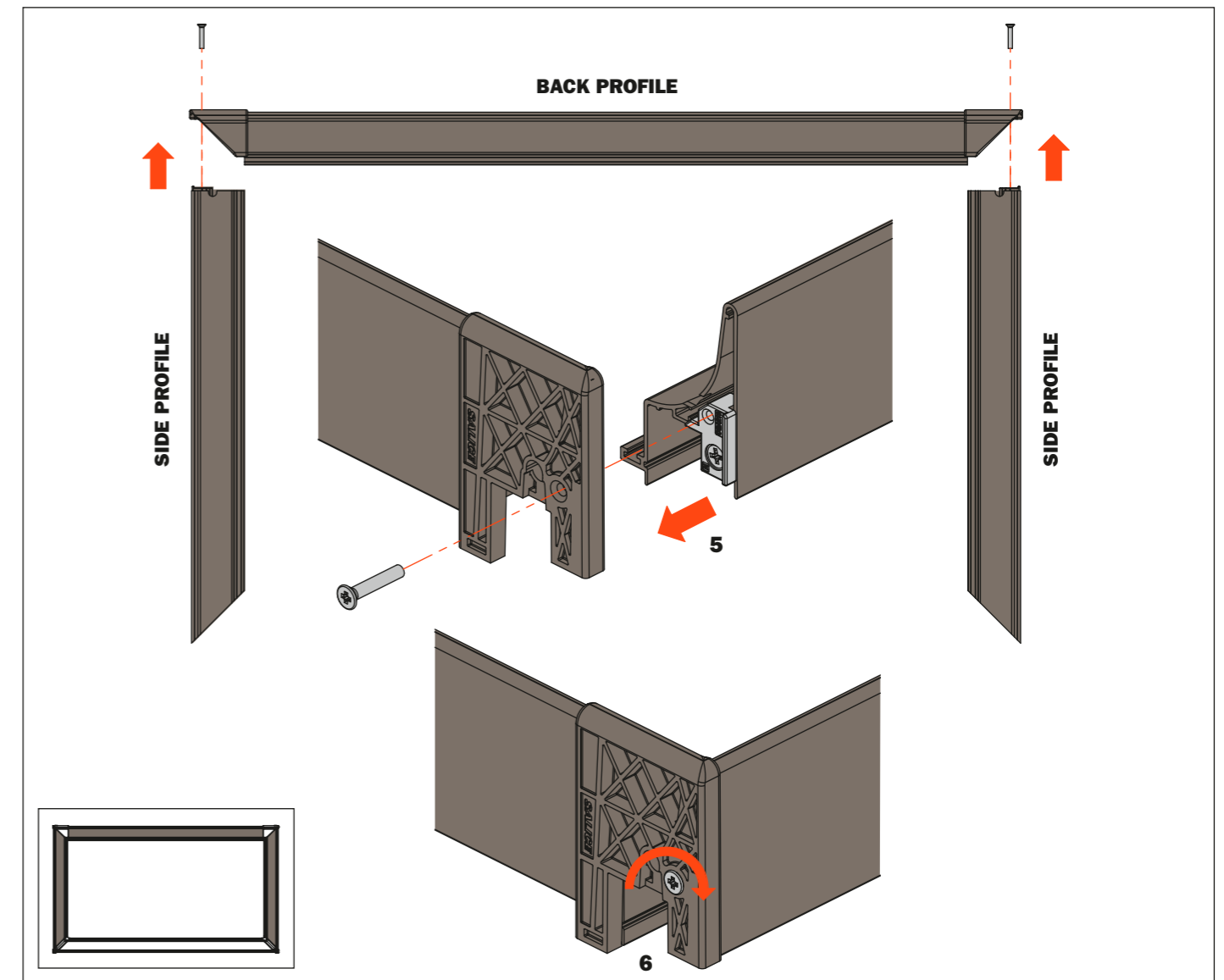
1. Insert the joints into the recess of the back profile and into the side profiles until they reach the stop
Back profile to cut to length, 90° mitre cut end, see pages 31, 33, 35
2. Hold the joints in position and screw to fix



3. Insert the back corners onto the back profile until they reach the stop
4. Screw to fix the corners onto the joints



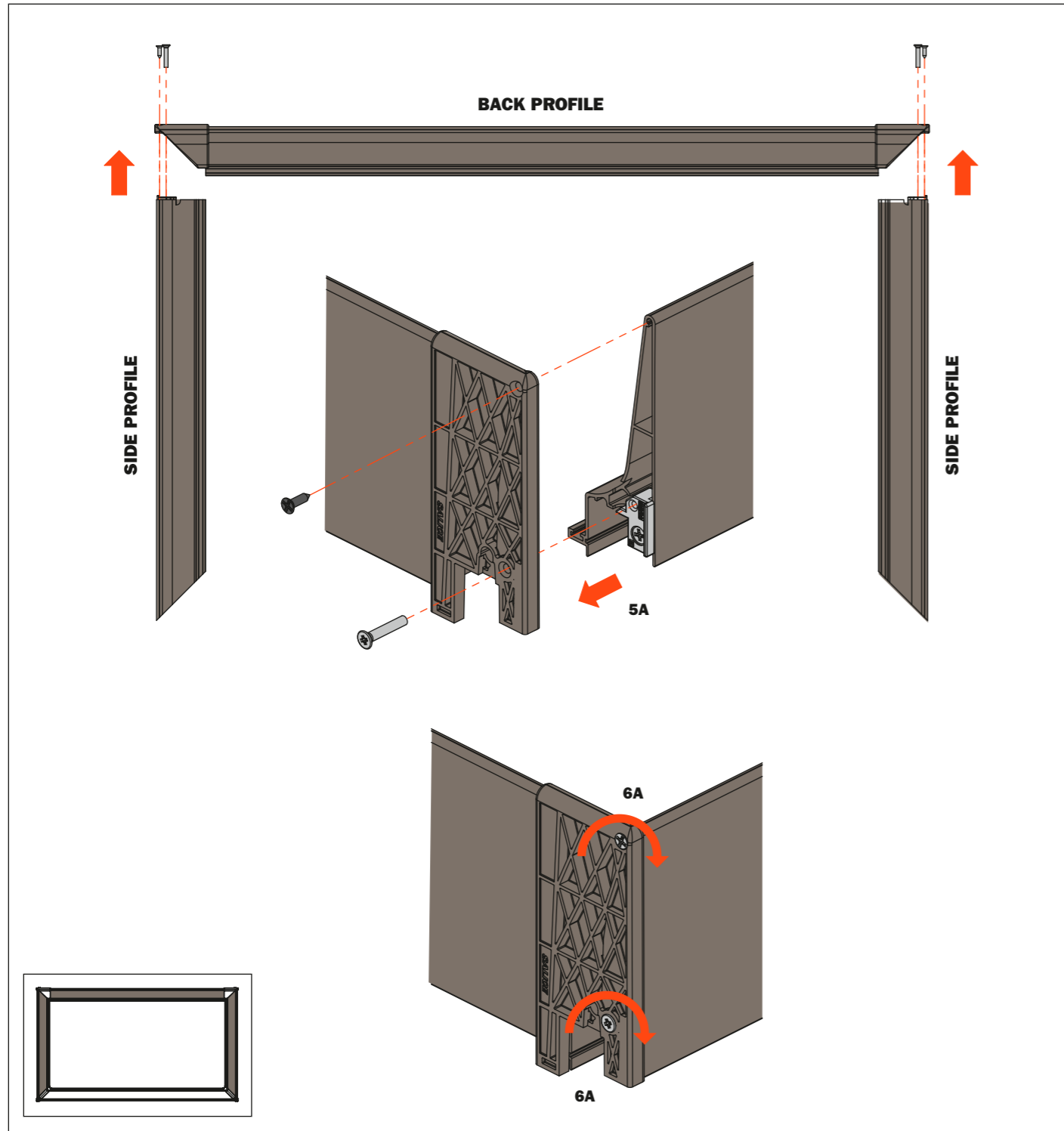
5. Insert the side profiles into the corners
6. Screw to fix the corners onto the joints



ADDITIONAL SCREW TO FIX THE BACK PROFILE WITH SIDE H 128

5A. Insert the side profiles into the corners

6A. Screw both the screws to fix the corners onto the joints and to fasten the profile

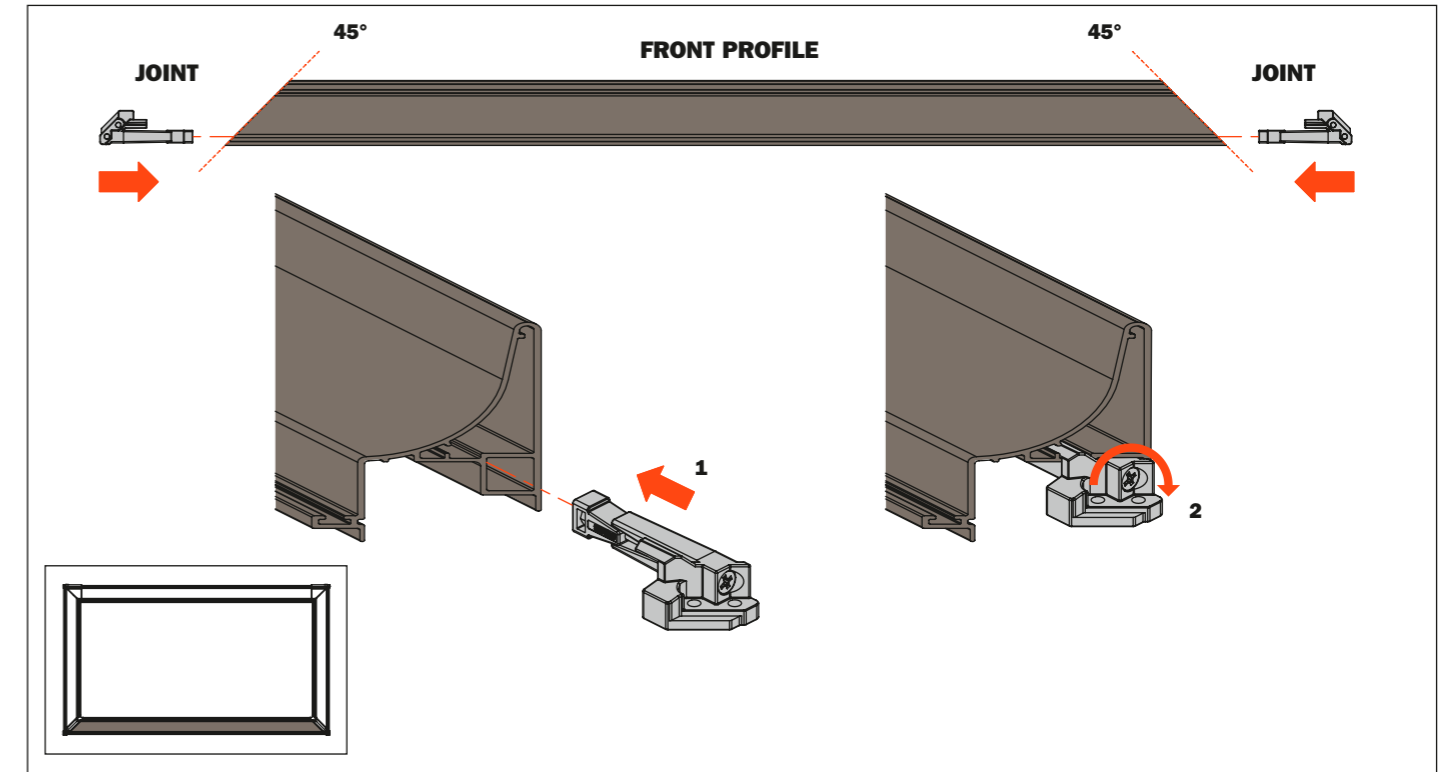


FRONT PROFILE

1. Insert the joints into the recess of the front profile until they reach the stop

Front profile to cut to length, 45° mitre cut end, see pages 31, 33, 35

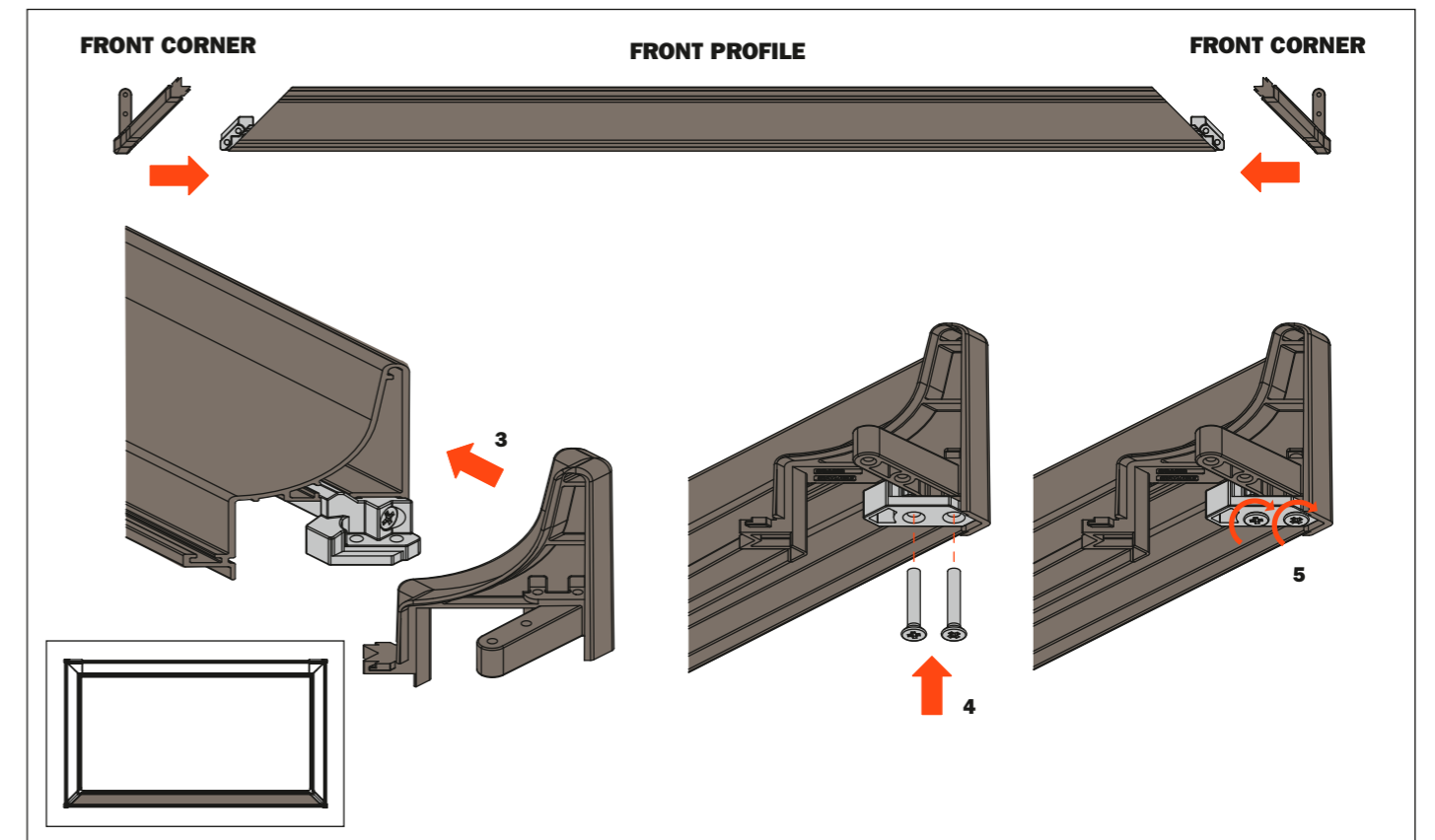
2. Hold the joints in position and screw to fix



3. Insert the front corners onto the front profile until they reach the stop

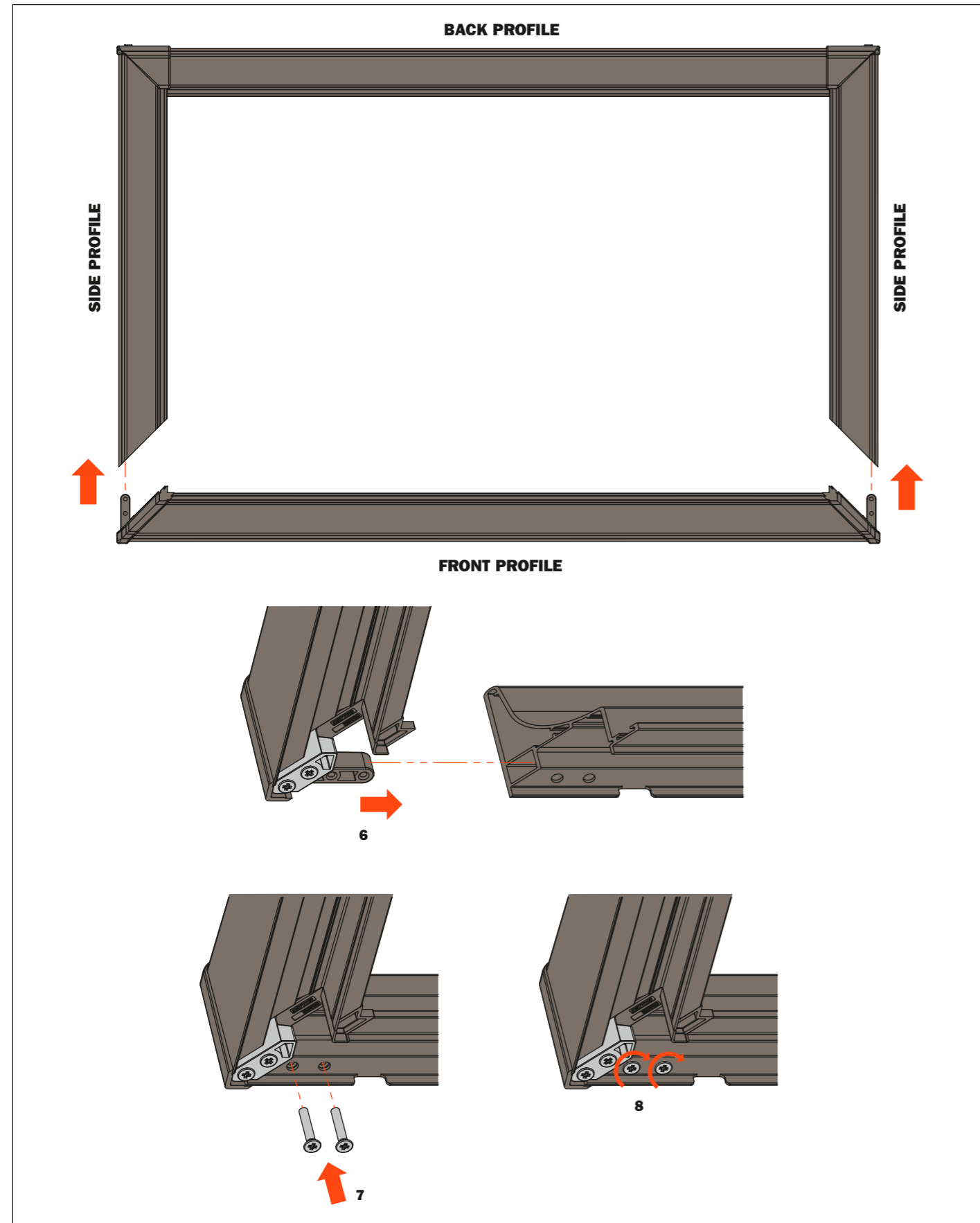
4. Insert the fixing screws into the front corners onto the front profile

5. Screw to fix the corners



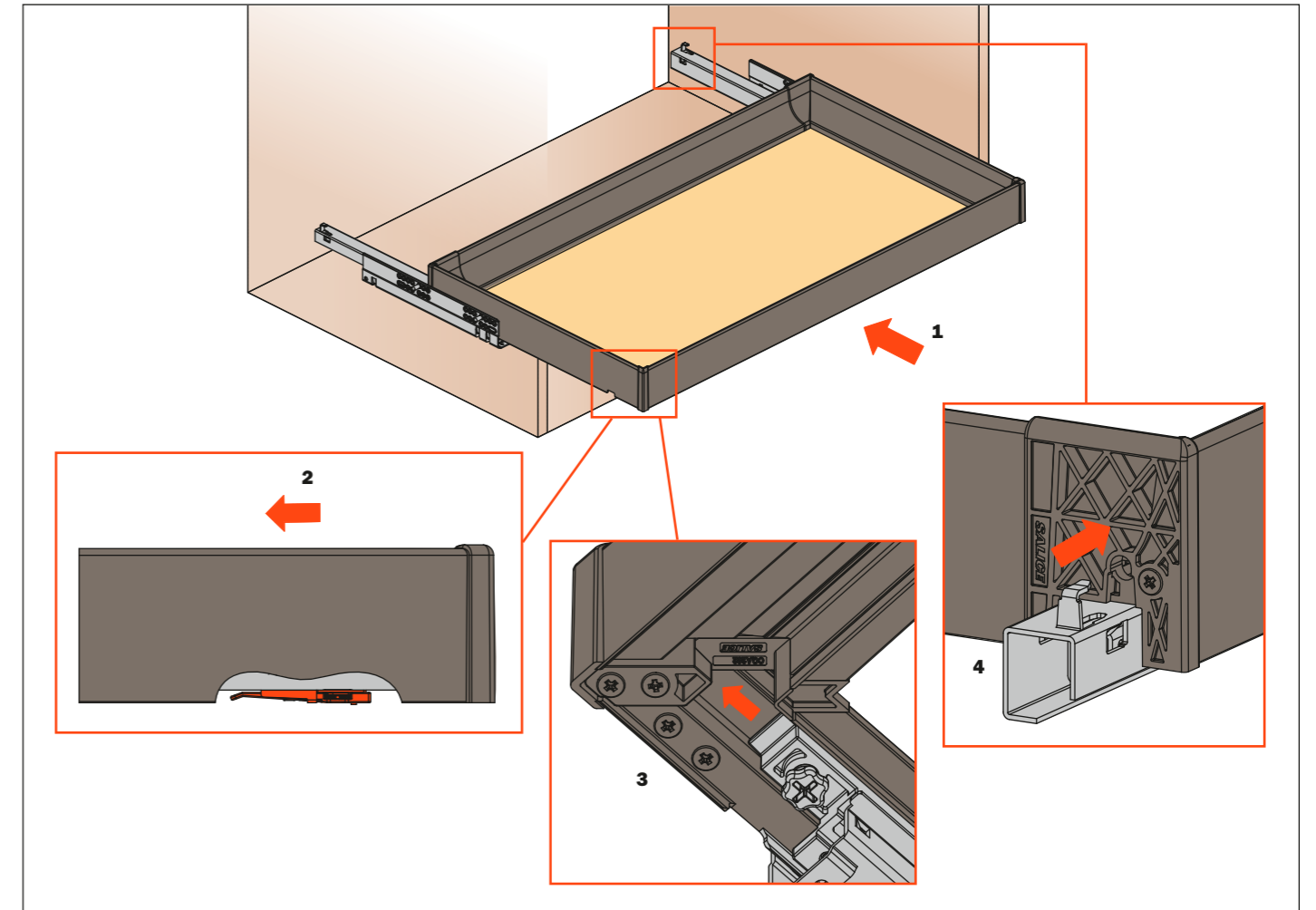
FRONT PROFILE

6. Insert the assembled front profile into the recess of the side profiles until it reaches the stop
7. Fix the assembled front profile onto the side profiles
8. Screw to fix the profiles



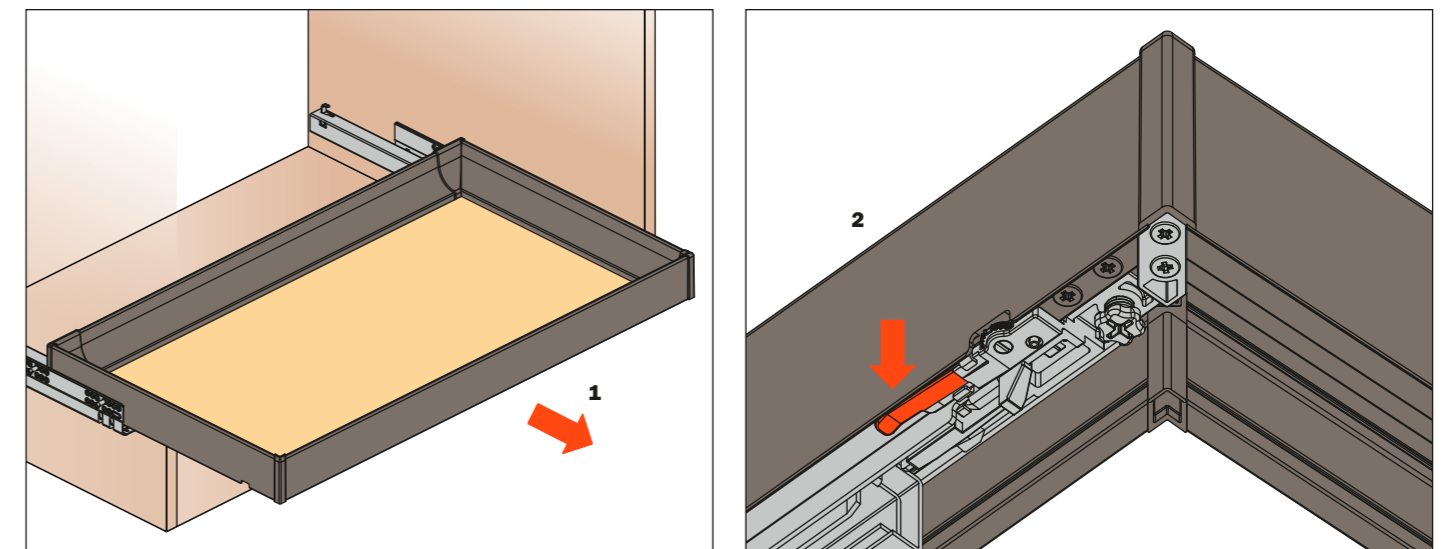
MOUNTING THE DRAWER ONTO THE RUNNERS

1. Place the drawer on the runners and close it
2. The flexibility of the fixing system enables the clips to engage
3. Engage the locking pin to prevent the overturning of the drawer
4. Locate the rear hooks



REMOVAL OF THE DRAWER

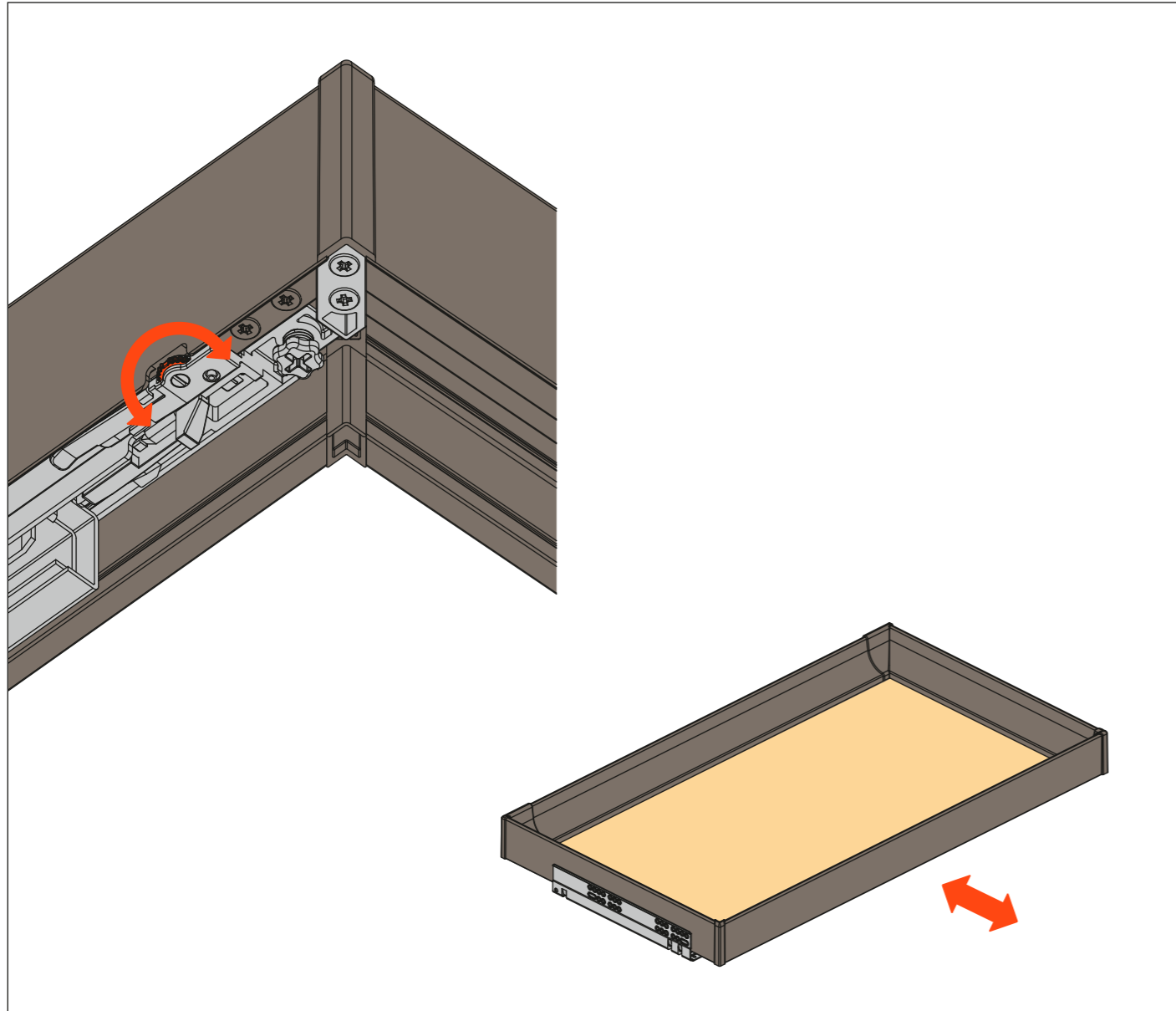
1. Open the drawer
2. Press down the lever indicated here below and pull out the drawer



Excessories - modular drawer - Adjustments

Depth adjustment +2 -2 mm

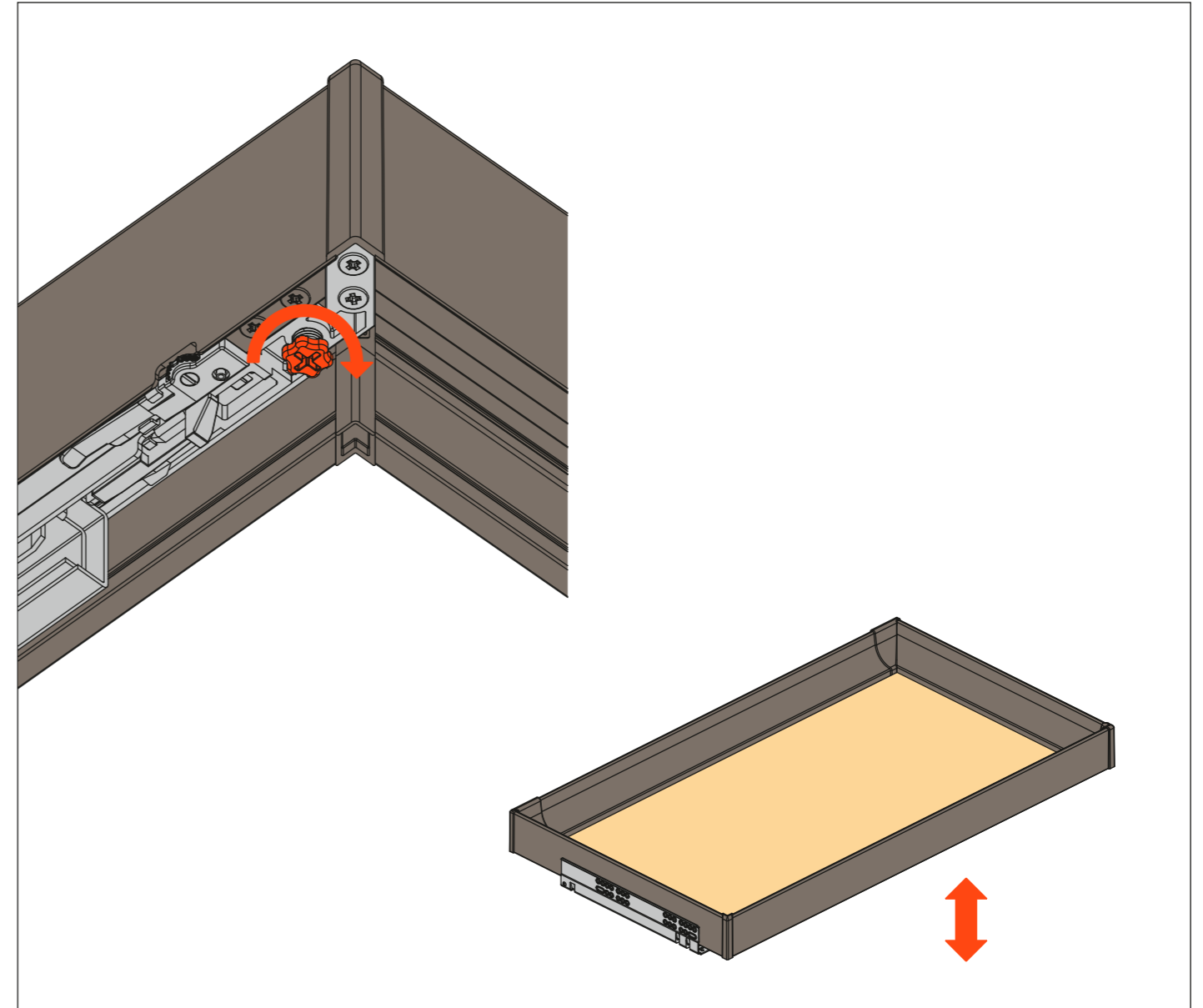
Rotate the wheel towards the front of the drawer to move the drawer forward.
Rotate the wheel towards the back of the drawer to move the drawer backward.
This operation is tool free.



Adjustments

Height adjustment +5 mm

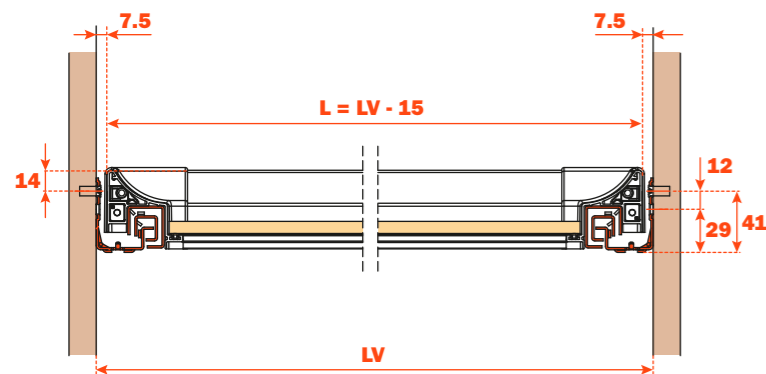
Rotate the lever towards the frontal of the drawer for the height adjustment.
This operation is tool free.



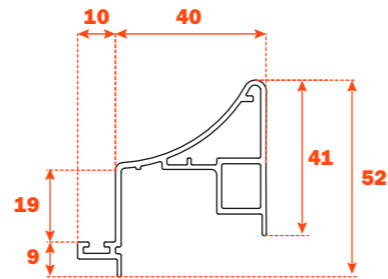
Excessories - modular drawer - 3-SIDED H 52 - wooden frontal

ALUMINIUM 3-SIDED DRAWER H 52 WOODEN FRONTAL H 75

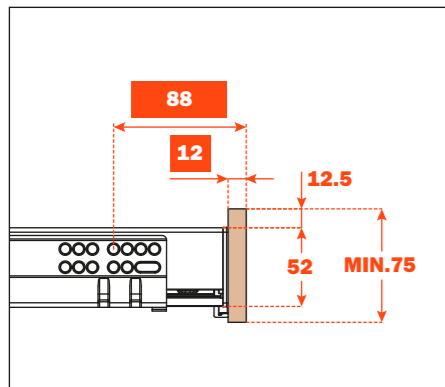
- Profile height: 52 mm
- Max. drawer width: min. 250 mm - max. 1250 mm
- Side material: epoxy-coated aluminium
- Side finish: metal grey brown
- Corners material: ABS
- Corners finish: metal grey brown
- Integrated height and depth adjustments
- Equipped with anti-tipping device
- Back to cut to length with gasket to insert
- Side supplied with gasket to be inserted and with Futura full-extension runners (CHART 1)
- Kit for the wooden frontal fixing, to be ordered separately (CHART 2)
- Frontal and bottom not included
- Bottom can be made of wood or glass



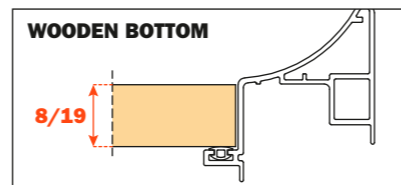
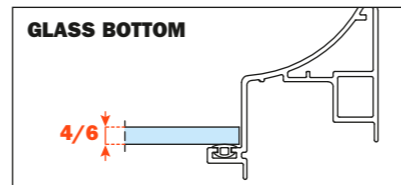
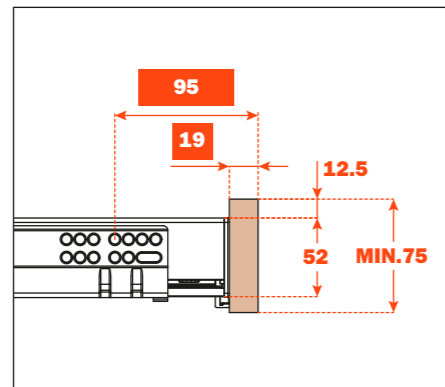
LV = cabinet width



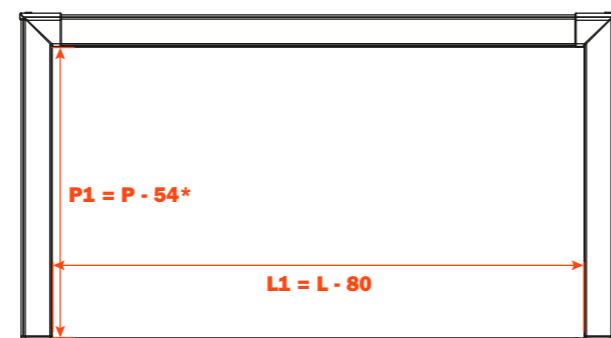
ASSEMBLY WITH WOODEN FRONTAL, 12 mm THICKNESS



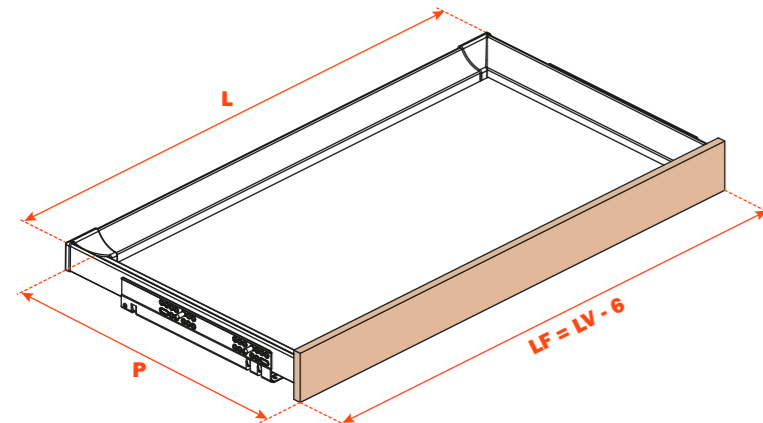
ASSEMBLY WITH WOODEN FRONTAL, 19 mm THICKNESS



INTERNAL DIMENSIONS



* internal dimensions from the corners



COMPONENTS

1. Joints for back profile
2. Back corners
3. Screws TPS DELTA PT 4x23 mm
4. Back profile
5. Side profiles

Kit for the frontal fixing (to be ordered separately)

6. Euroscrews TPSV 6.3x14 mm
7. Fixing caps
8. Aluminium profile
9. Connecting elements for the frontal
10. Screws TPS M 4x12 mm

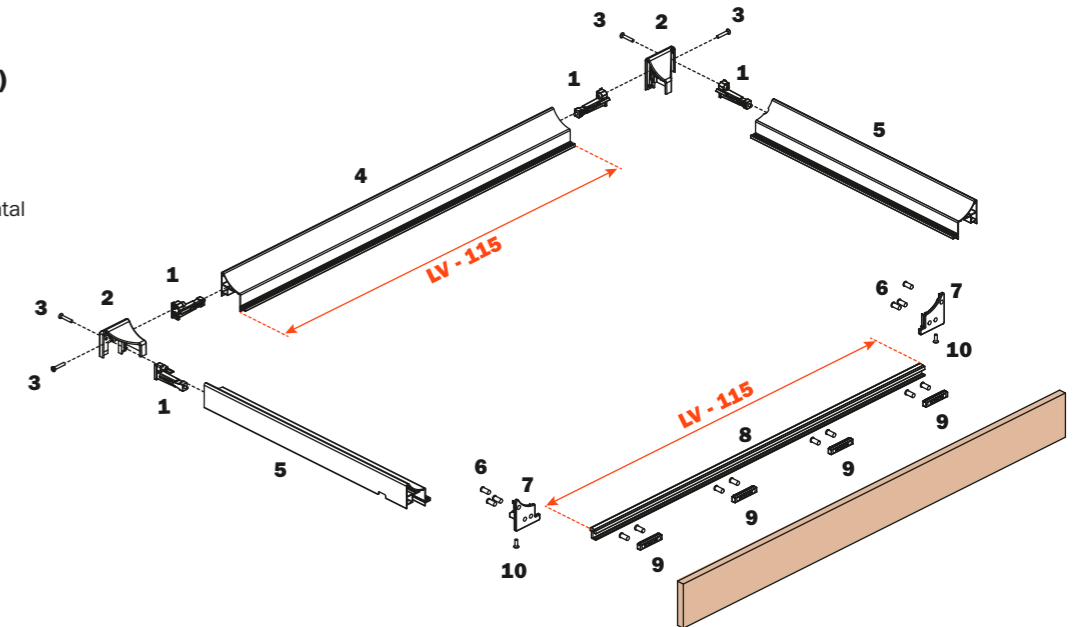


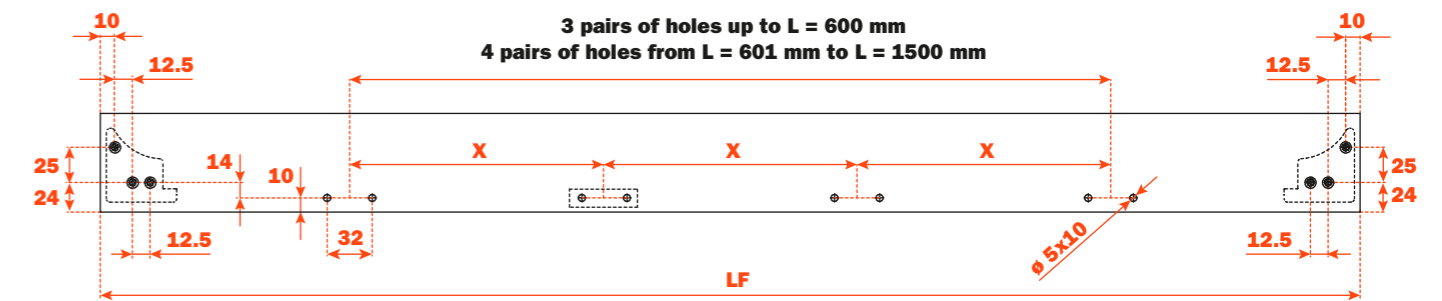
CHART 1

PART NUMBER KIT RUNNERS AND SIDE PROFILES	Runner length (LN) mm	Drawer depth (P) mm	PACKAGE DIMENSIONS mm	PACKAGE WEIGHT Kg
VE80QBAG40033A	400	440	121 x 681 x H 116	2.8
VE80QBAG45033A	450	490	121 x 731 x H 116	3.2
VE80QBAG47033A	470	510	121 x 751 x H 116	3.4

CHART 2

PART NUMBER KIT BACK PROFILE AND KIT FOR FRONTAL	Profile length mm	PACKAGE DIMENSIONS mm	PACKAGE WEIGHT Kg
VE80QBCA07033A	700	95 x 743 x H 80	1
VE80QBCA09033A	900	95 x 943 x H 80	1.3
VE80QBCA12533A	1250	95 x 1293 x H 80	1.8

FRONTAL DRILLING

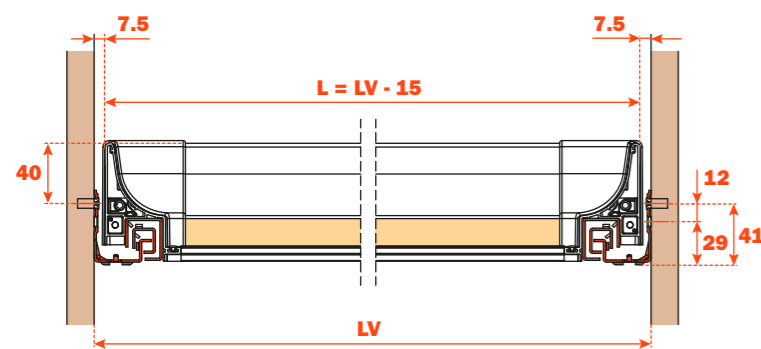


Runner length (LN) mm	Drawer width (L) mm	Frontal width (LF) mm	Internal width (L1) mm	Drawer depth (P) mm + wooden frontal 12 mm	Drawer depth (P) mm + wooden frontal 19 mm	Internal depth (P1) mm
400	LV - 15	LV - 6	L - 80	440	447	386
450				490	497	436
470				510	517	456

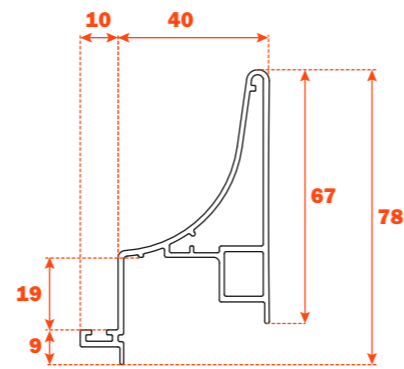
Excessories - modular drawer - 3-SIDED H 78 - wooden frontal

ALUMINIUM 3-SIDED DRAWER H 78 WOODEN FRONTAL H 100

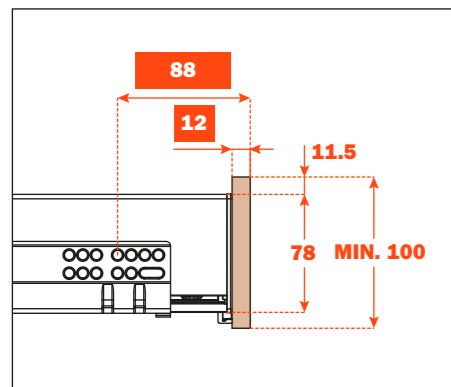
- Profile height: 78 mm
- Max. drawer width: min. 250 mm - max. 1250 mm
- Side material: epoxy-coated aluminium
- Side finish: metal grey brown
- Corners material: ABS
- Corners finish: metal grey brown
- Integrated height and depth adjustments
- Equipped with anti-tipping device
- Back to cut to length with gasket to insert
- Side supplied with gasket to be inserted and with Futura full-extension runners (CHART 1)
- Kit for the wooden frontal fixing, to be ordered separately (CHART 2)
- Frontal and bottom not included
- Bottom can be made of wood or glass



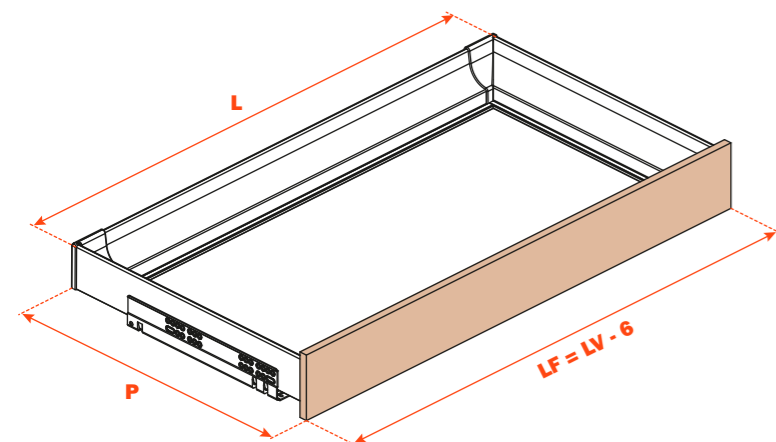
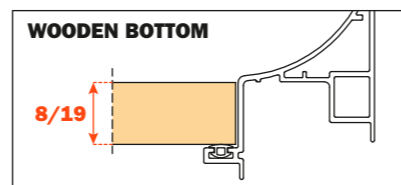
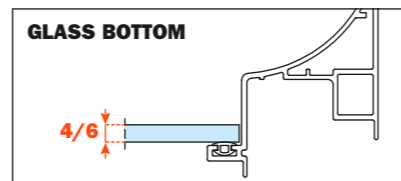
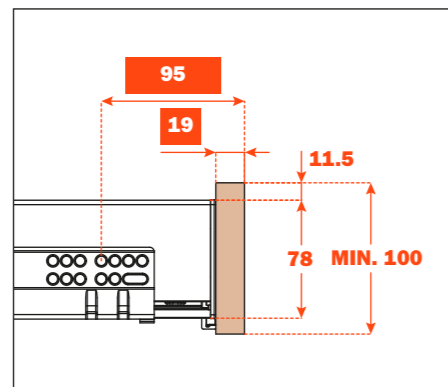
LV = cabinet width



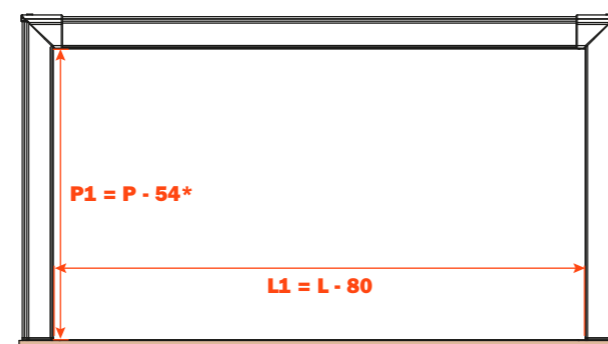
ASSEMBLY WITH WOODEN FRONTAL, 12 mm THICKNESS



ASSEMBLY WITH WOODEN FRONTAL, 19 mm THICKNESS



INTERNAL DIMENSIONS



* internal dimensions from the corners

COMPONENTS

1. Joints for back profile
2. Back corners
3. Screws TPS DELTA PT 4x23 mm
4. Back profile
5. Side profiles

Kit for the frontal fixing (to be ordered separately)

6. Euroscrews TPSV 6.3x14 mm
7. Fixing caps
8. Aluminium profile
9. Connecting elements for the frontal
10. Screws TPS M 4x12 mm

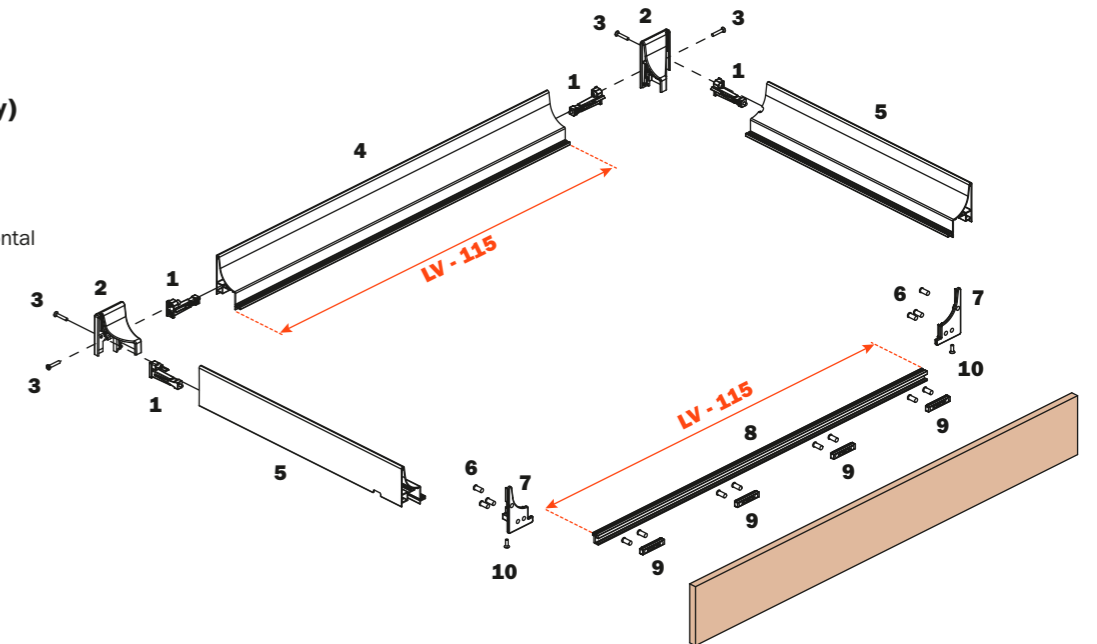


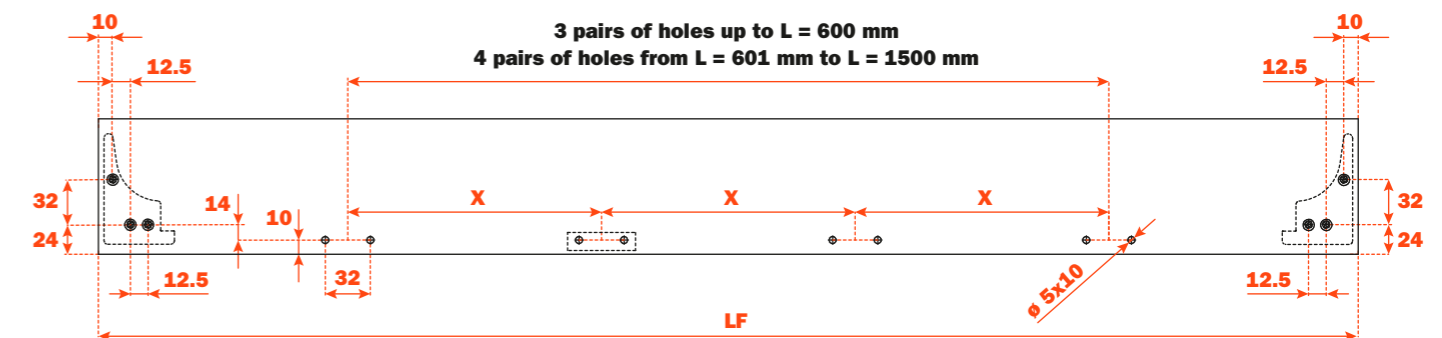
CHART 1

PART NUMBER KIT RUNNERS AND SIDE PROFILES	Runner length (LN) mm	Drawer depth (P) mm	PACKAGE DIMENSIONS mm	PACKAGE WEIGHT Kg
VE80QDAG40033A	400	440	121 x 681 x H 116	3
VE80QDAG45033A	450	490	121 x 731 x H 116	3.4
VE80QDAG47033A	470	510	121 x 751 x H 116	3.7

CHART 2

PART NUMBER KIT BACK PROFILE AND KIT FOR FRONTAL	Profile length mm	PACKAGE DIMENSIONS mm	PACKAGE WEIGHT Kg
VE80QDCA07033A	700	95 x 743 x H 80	1.1
VE80QDCA09033A	900	95 x 943 x H 80	1.4
VE80QDCA12533A	1250	95 x 1293 x H 80	1.9

FRONTAL DRILLING

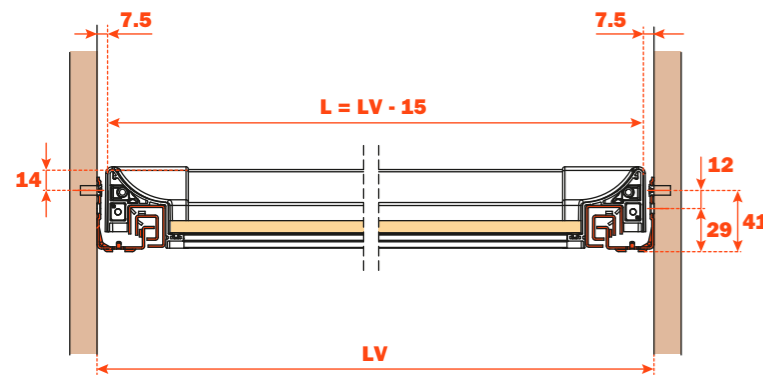


Runner length (LN) mm	Drawer width (L) mm	Frontal width (LF) mm	Internal width (L1) mm	Drawer depth (P) mm + wooden frontal 12 mm	Drawer depth (P) mm + wooden frontal 19 mm	Internal depth (P1) mm
400	LV - 15	LV - 6	L - 80	440	447	386
450				490	497	436
470				510	517	456

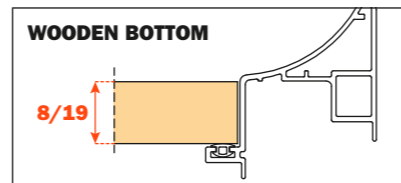
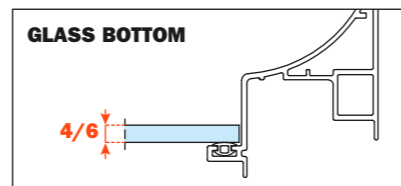
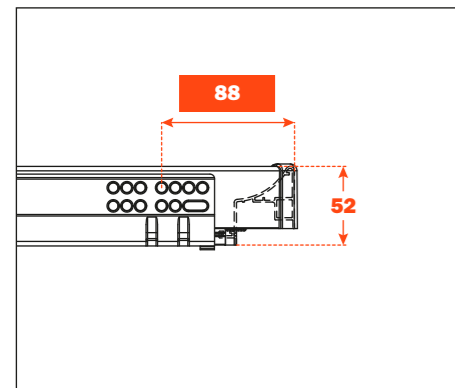
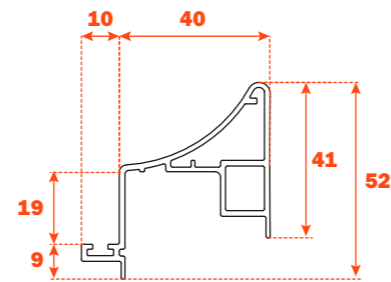
Excessories - modular drawer - 4-SIDED H 52

ALUMINIUM 4-SIDED DRAWER H 52

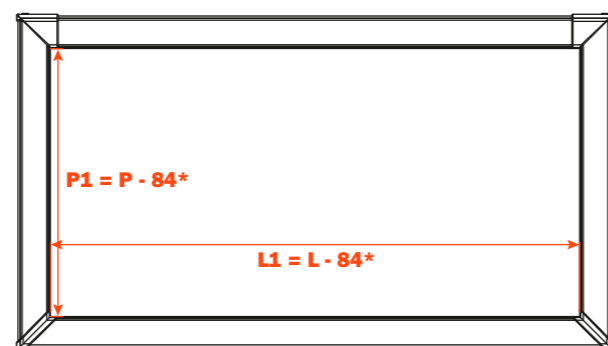
- Profile height: 52 mm
- Max. drawer width: min. 250 mm - max. 1250 mm
- Side material: epoxy-coated aluminium
- Side finish: metal grey brown
- Corners material: ABS
- Corners finish: metal grey brown
- Integrated height and depth adjustments
- Equipped with anti-tipping device
- Side supplied with gasket to be inserted and with Futura full-extension runners (CHART 1)
- Back and frontal to cut to length with gasket to be inserted (CHART 2)
- Bottom not included
- Bottom can be made of wood or glass



LV = cabinet width



INTERNAL DIMENSIONS



* internal dimensions from the corners

COMPONENTS

1. Joints for back profile
2. Back corners
3. Screws TPS DELTA PT 4x23 mm
4. Back profile
5. Side profiles
6. Joints for front profile
7. Front corners
8. Front profile

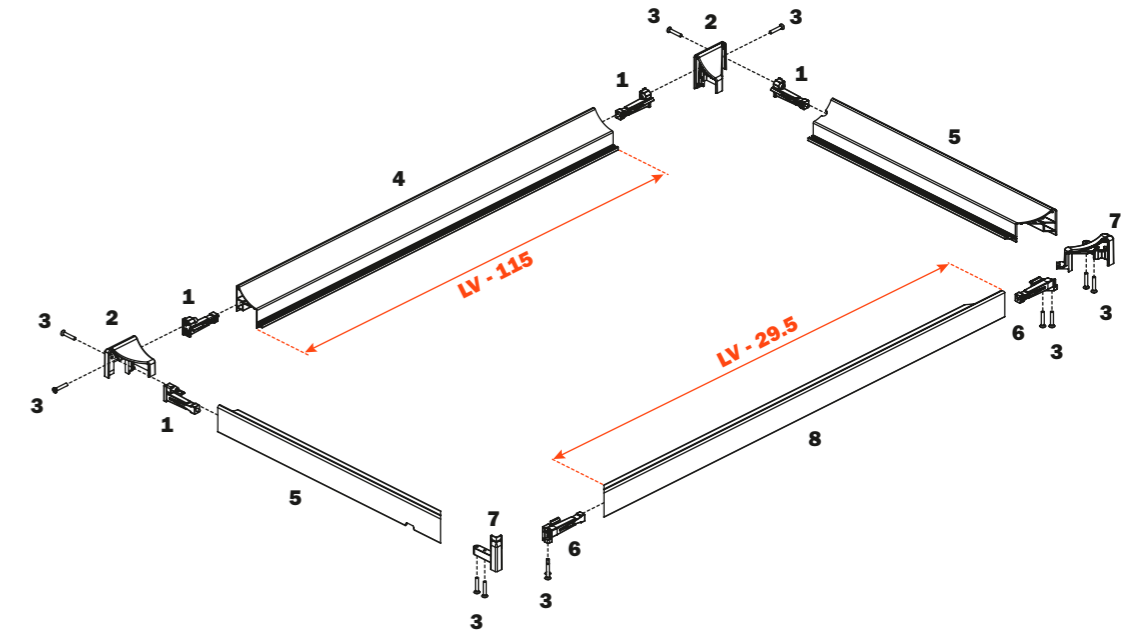


CHART 1

PART NUMBER KIT RUNNERS AND SIDE PROFILES	Runner length (LN) mm	Drawer depth (P) mm	PACKAGE DIMENSIONS mm	PACKAGE WEIGHT Kg
VE80QAAG40033A	400	440	121 x 681 x H 116	2.7
VE80QAAG45033A	450	490	121 x 731 x H 116	3.1
VE80QAAG47033A	470	510	121 x 751 x H 116	3.3

CHART 2

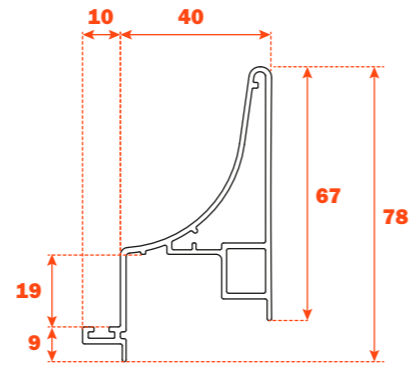
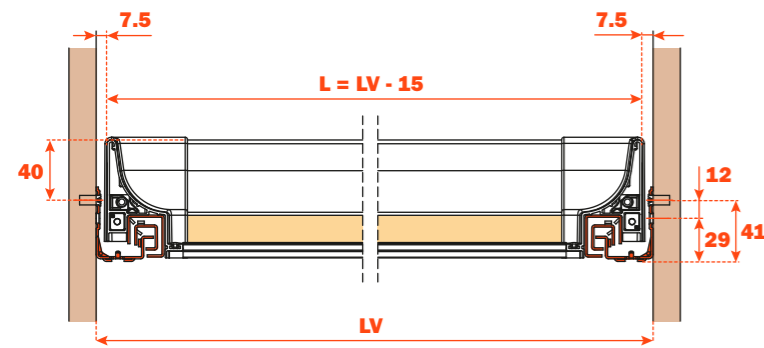
PART NUMBER KIT BACK AND FRONT PROFILE	Profile length mm	PACKAGE DIMENSIONS mm	PACKAGE WEIGHT Kg
VE80QABA07033A	700	95 x 743 x H 80	1.2
VE80QABA09033A	900	95 x 943 x H 80	1.6
VE80QABA12533A	1250	95 x 1293 x H 80	2.2

Runner length (LN) mm	Drawer width (L) mm	Internal width (L1) mm	Drawer depth (P) mm	Internal depth (P1) mm
400	LV - 15	L - 84	440	356
450			490	406
470			510	426

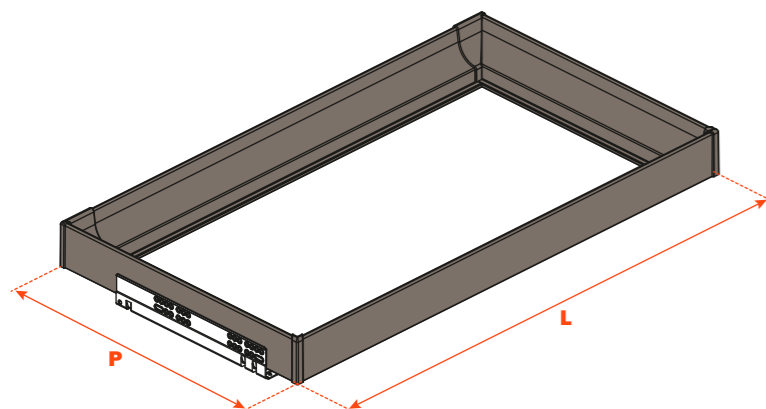
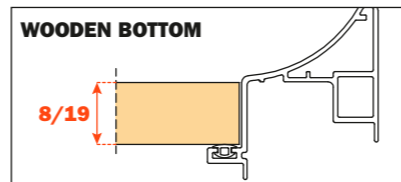
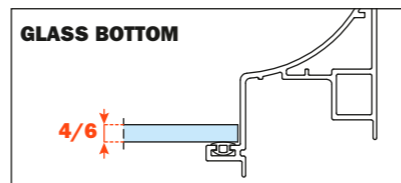
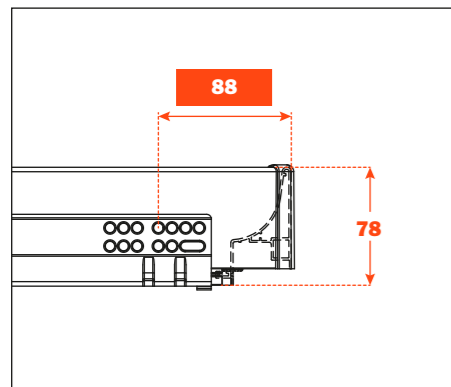
Excessories - modular drawer - 4-sided drawer H 78

ALUMINIUM 4-SIDED DRAWER H 78

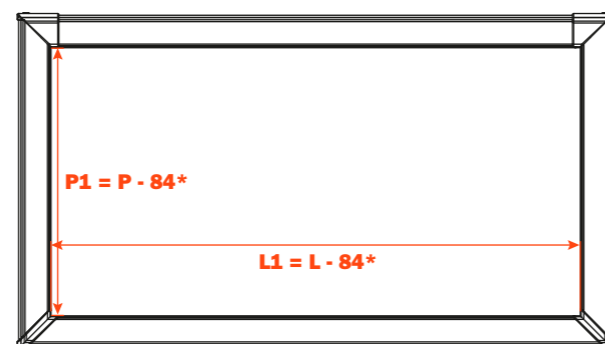
- Profile height: 78 mm
- Max. drawer width: min. 250 mm - max. 1250 mm
- Side material: epoxy-coated aluminium
- Side finish: metal grey brown
- Corners material: ABS
- Corners finish: metal grey brown
- Integrated height and depth adjustments
- Equipped with anti-tipping device
- Side supplied with gasket to be inserted and with Futura full-extension runners (CHART 1)
- Back and frontal to cut to length with gasket to be inserted (CHART 2)
- Bottom not included
- Bottom can be made of wood or glass



LV = cabinet width



INTERNAL DIMENSIONS



* internal dimensions from the corners

COMPONENTS

1. Joints for back profile
2. Back corners
3. Screws TPS DELTA PT 4x23 mm
4. Back profile
5. Side profiles
6. Joints for front profile
7. Front corners
8. Front profile

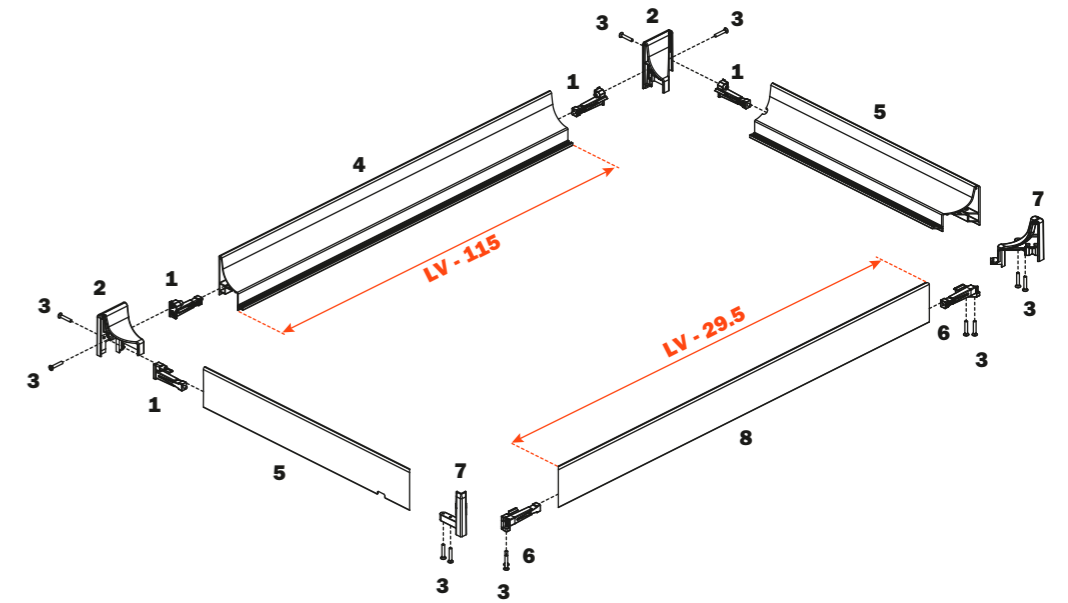


CHART 1

PART NUMBER KIT RUNNERS AND SIDE PROFILES	Runner length (LN) mm	Drawer depth (P) mm	PACKAGE DIMENSIONS mm	PACKAGE WEIGHT Kg
VE80QCAG40033A	400	440	121 x 681 x H 116	2.9
VE80QCAG45033A	450	490	121 x 731 x H 116	3.3
VE80QCAG47033A	470	510	121 x 751 x H 116	3.6

CHART 2

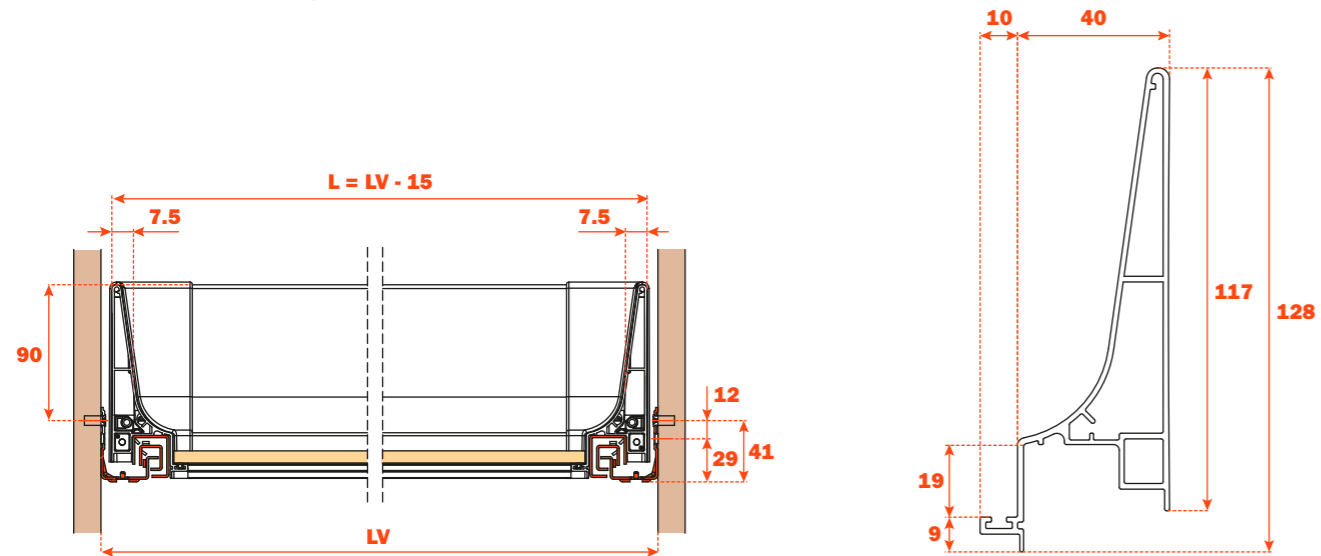
PART NUMBER KIT BACK AND FRONT PROFILE	Profile length mm	PACKAGE DIMENSIONS mm	PACKAGE WEIGHT Kg
VE80QCBA07033A	700	95 x 743 x H 80	1.5
VE80QCBA09033A	900	95 x 943 x H 80	1.9
VE80QCBA12533A	1250	95 x 1293 x H 80	2.7

Runner length (LN) mm	Drawer width (L) mm	Internal width (L1) mm	Drawer depth (P) mm	Internal depth (P1) mm
400	LV - 15	L - 84	440	356
450			490	406
470			510	426

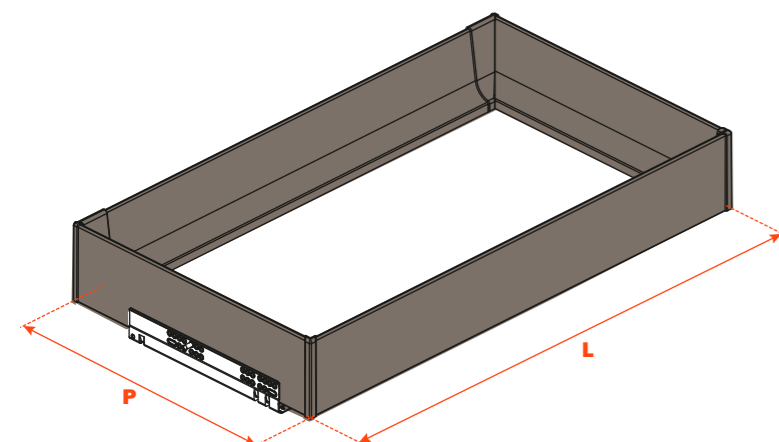
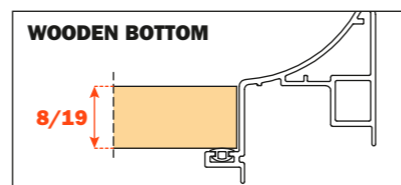
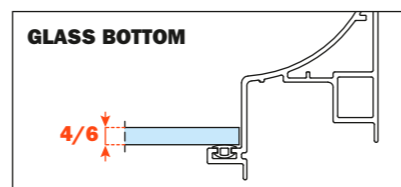
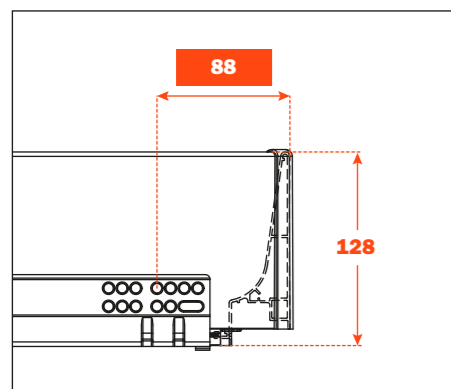
Excessories - modular drawer - 4-SIDED H 128

ALUMINIUM 4-SIDED DRAWER H 128

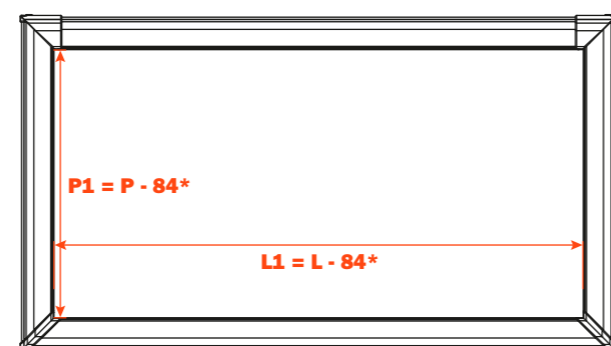
- Profile height: 128 mm
- Max. drawer width: min. 250 mm - max. 1250 mm
- Side material: epoxy-coated aluminium
- Side finish: metal grey brown
- Corners material: ABS
- Corners finish: metal grey brown
- Integrated height and depth adjustments
- Equipped with anti-tipping device
- Side supplied with gasket to be inserted and with Futura full-extension runners (CHART 1)
- Back and frontal to cut to length with gasket to be inserted (CHART 2)
- Bottom not included
- Bottom can be made of wood or glass



LV = cabinet width



INTERNAL DIMENSIONS



* internal dimensions from the corners

COMPONENTS

1. Joints for back profile
2. Back corners
3. Screws TPS DELTA PT 4x23 mm
- 3A. Screws TPS 3.5x13 mm Black
4. Back profile
5. Side profiles
6. Joints for front profile
7. Front corners
8. Front profile

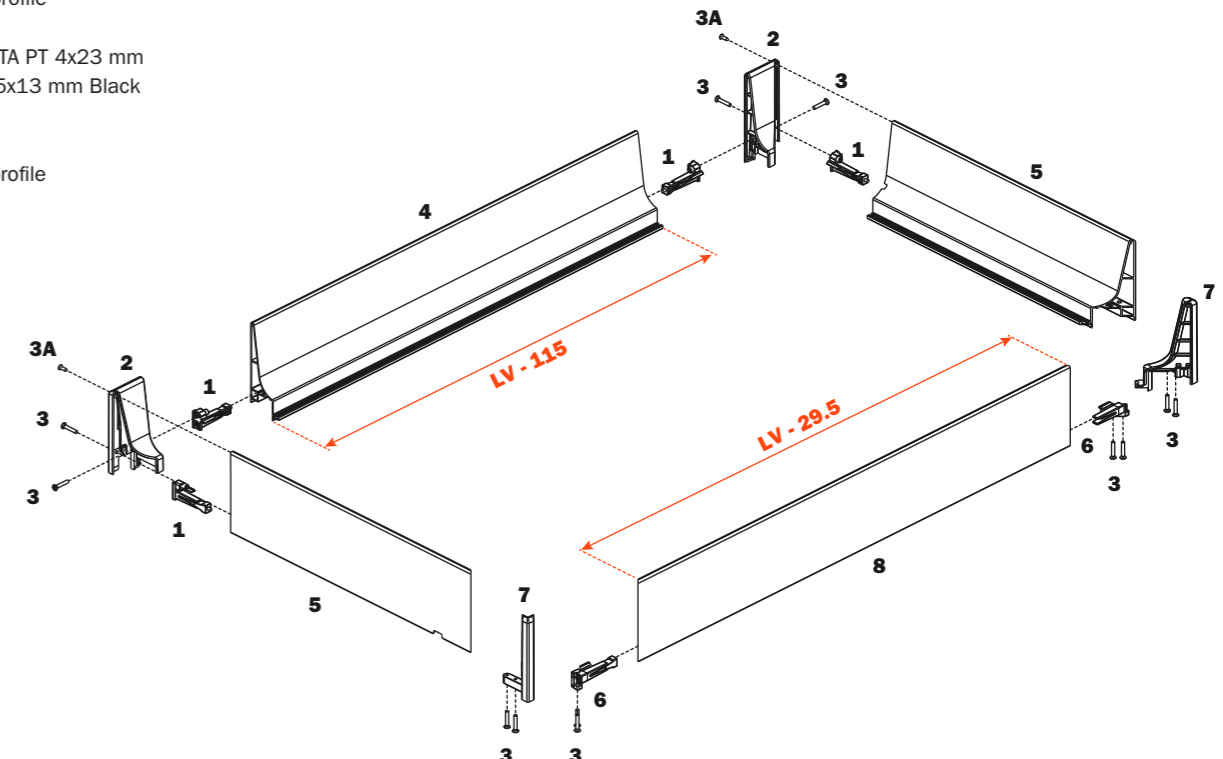


CHART 1

PART NUMBER KIT RUNNERS AND SIDE PROFILES	Runner length (LN) mm	Drawer depth (P) mm	PACKAGE DIMENSIONS mm	PACKAGE WEIGHT Kg
VE80QEAG40033A	400	440	121 x 681 x H 146	3.4
VE80QEAG45033A	450	490	121 x 731 x H 146	3.9
VE80QEAG47033A	470	510	121 x 751 x H 146	4.1

CHART 2

PART NUMBER KIT BACK AND FRONT PROFILE	Profile length mm	PACKAGE DIMENSIONS mm	PACKAGE WEIGHT Kg
VE80QEBA07033A	700	145 x 743 x H 80	2.3
VE80QEBA09033A	900	145 x 943 x H 80	2.9
VE80QEBA12533A	1250	145 x 1293 x H 80	4

Runner length (LN) mm	Drawer width (L) mm	Internal width (L1) mm	Drawer depth (P) mm	Internal depth (P1) mm
400	LV - 15	L - 84	440	356
450			490	406
470			510	426

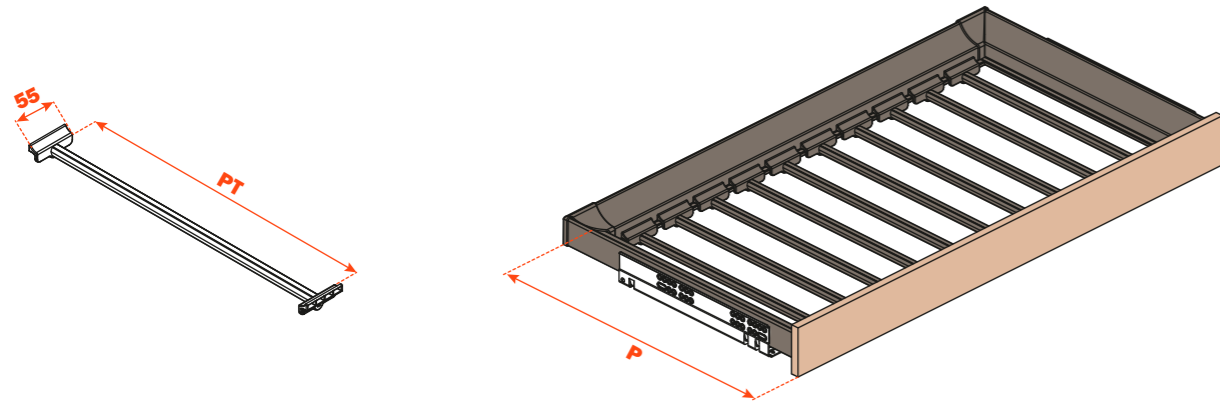
Excessories - modular drawer - TROUSERS HANGER FOR DRAWER

TROUSERS HANGER FOR DRAWER

- Rail material: epoxy-coated aluminium
- Finish: metal grey brown
- Recommended quantity: 7 pieces/500 mm
- Complete with soft trim on the upper surface to hold the trousers in place
- Rail supplied with nylon supports for easy location and sliding on the frame

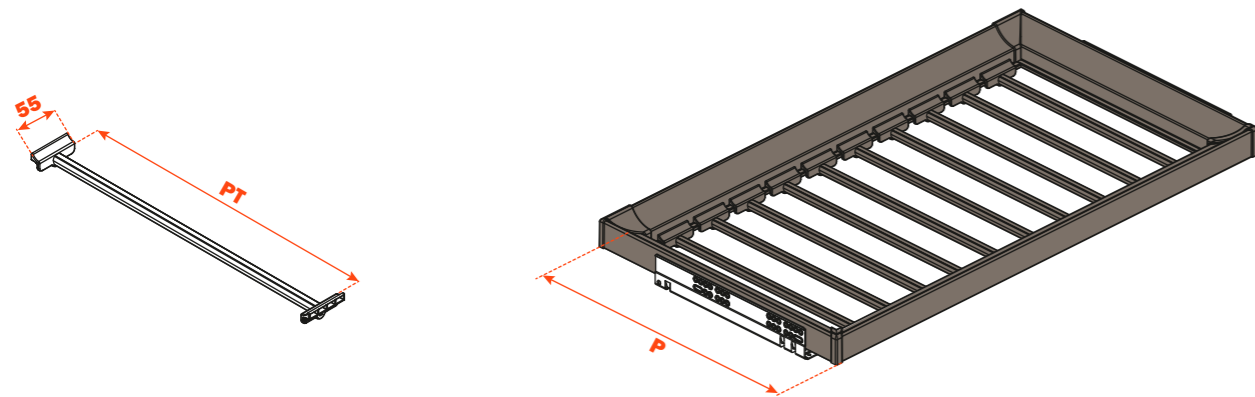


FOR 3-SIDED DRAWER



PART NUMBER	Runner length (LN) mm	Drawer depth (P) mm + wooden frontal 12 mm	Rail length (PT) mm
VE80FXEA20533B	400	440	357
VE80FXEA20633B	450	490	407
VE80FXEA20733B	470	510	427

FOR 4-SIDED DRAWER



PART NUMBER	Runner length (LN) mm	Drawer depth (P) mm	Rail length (PT) mm
VE80FXEA10533B	400	440	331
VE80FXEA10633B	450	490	381
VE80FXEA10733B	470	510	401

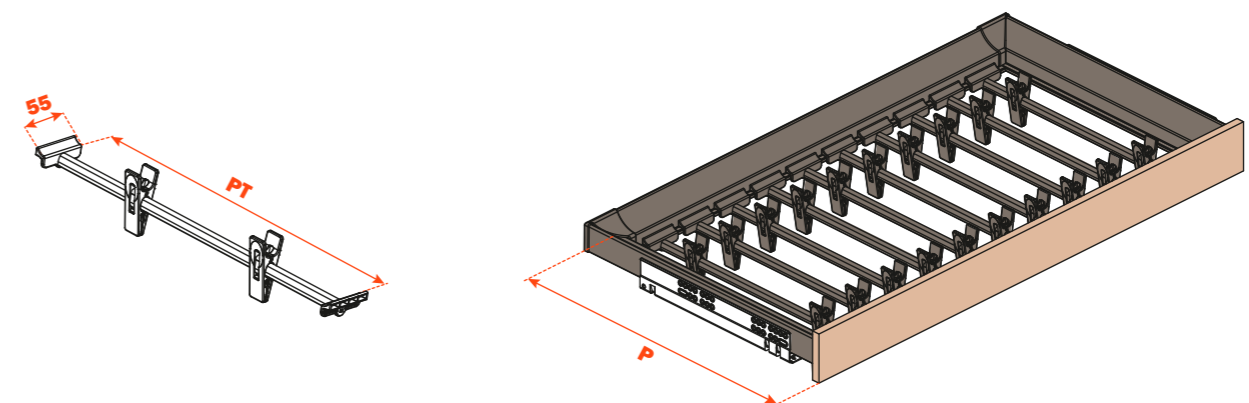
SKIRT HANGER FOR DRAWER

SKIRT HANGER FOR DRAWER

- Rail material: epoxy-coated aluminium
- Clip material: nylon
- Finish: metal grey brown
- Recommended quantity: 7 pieces/500 mm
- Complete with clips for skirts
- Rail supplied with nylon supports for easy location and sliding on the frame

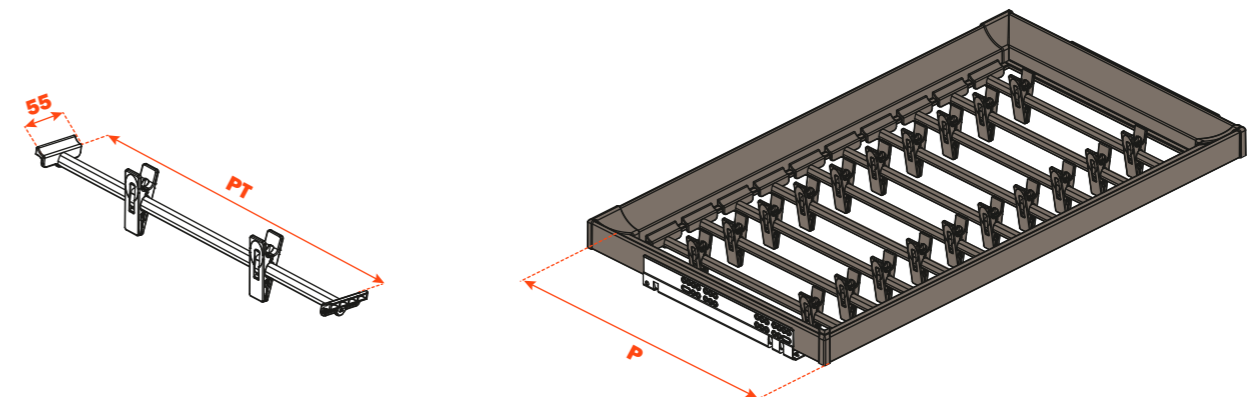


FOR 3-SIDED DRAWER



PART NUMBER	Runner length (LN) mm	Drawer depth (P) mm + wooden frontal 12 mm	Rail length (PT) mm
VE80FXFA20533B	400	440	357
VE80FXFA20633B	450	490	407
VE80FXFA20733B	470	510	427

FOR 4-SIDED DRAWER



PART NUMBER	Runner length (LN) mm	Drawer depth (P) mm	Rail length (PT) mm
VE80FXFA10533B	400	440	331
VE80FXFA10633B	450	490	381
VE80FXFA10733B	470	510	401

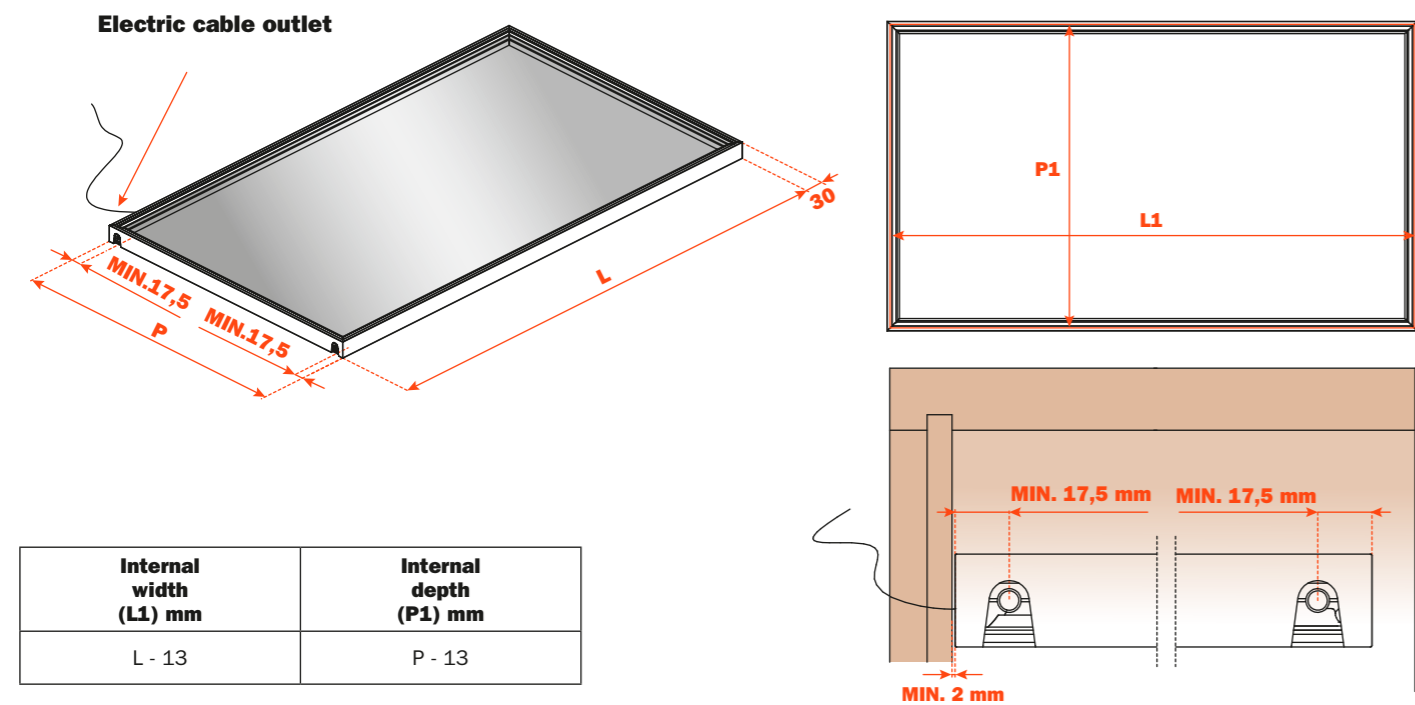
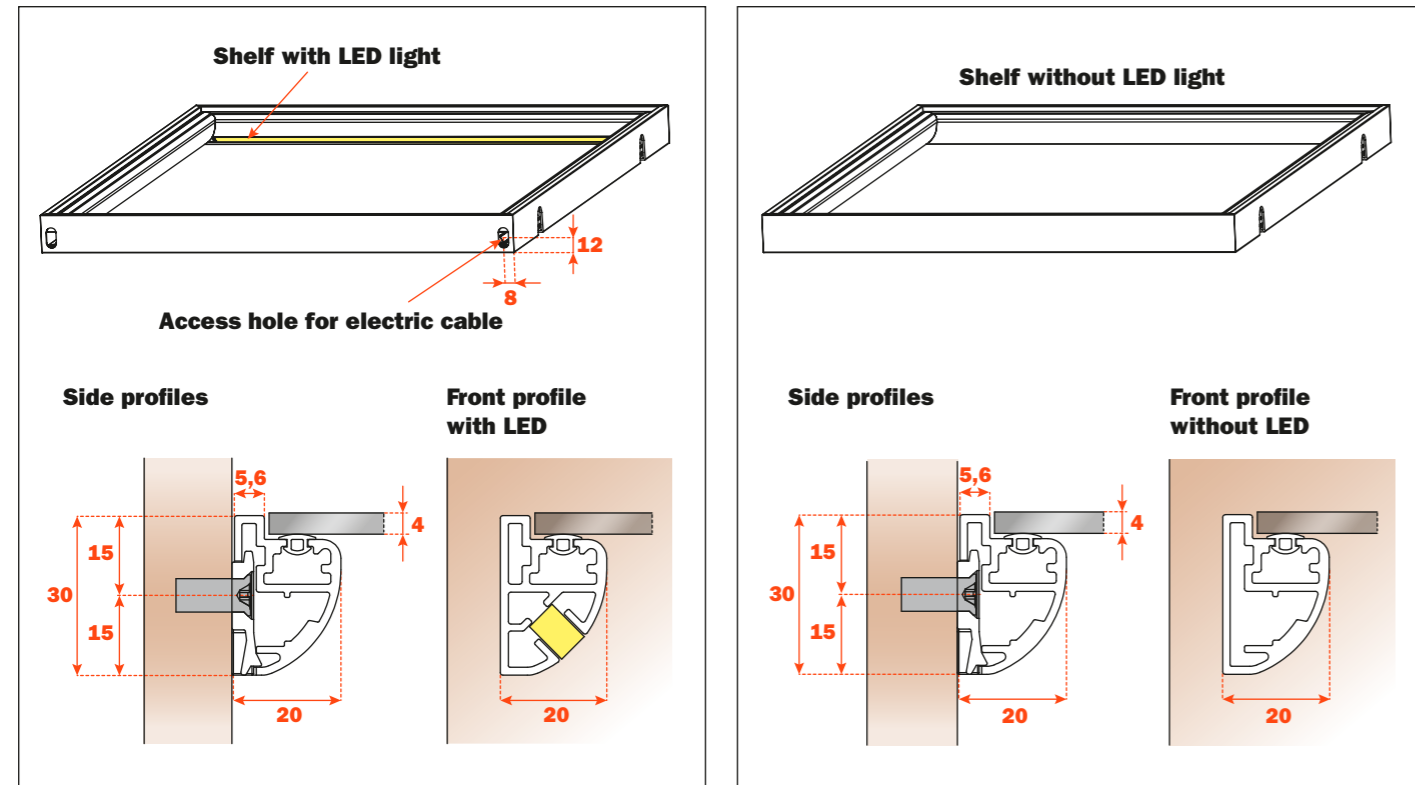


Shelves

Excessories - shelves - aluminium frame H 30 mm

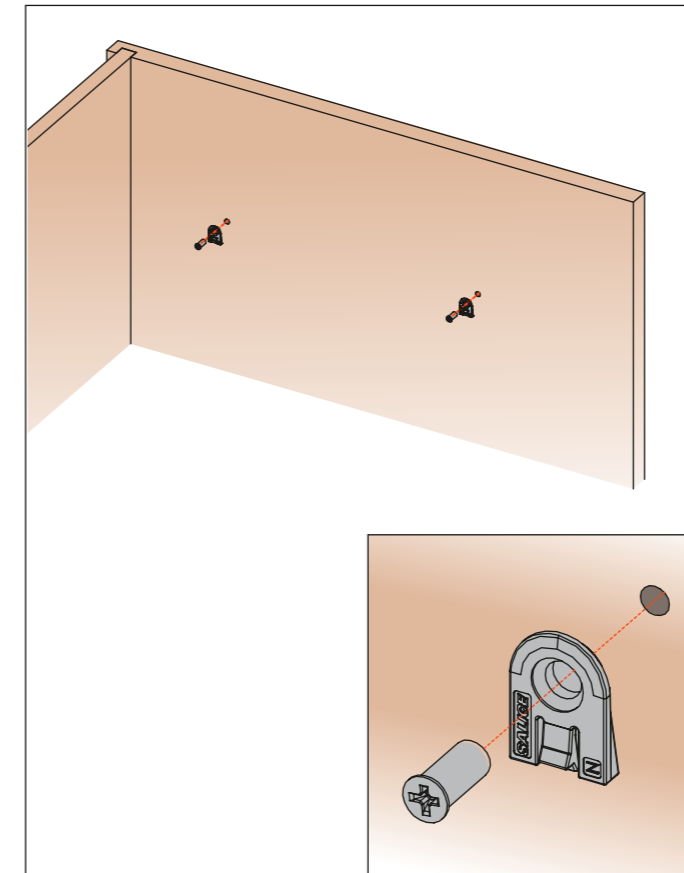
Shelf with aluminium frame

- Profile height: 30 mm
- Material: epoxy-coated aluminium
- Finish: metal grey brown
- Max. width: 1500 mm
- Fixing: side fixed with slide and lock device
- Complete with gasket to hold glass inlay in position
- Glass not supplied
- Available without LED light or with 3000K/4000K Dual colour, 24V LED light
- Available white or smoky grey covers for LED
- 3 metre extension cable included
- Custom made to order by specifying width (L) and depth (P)
- Consumption: 13W/M

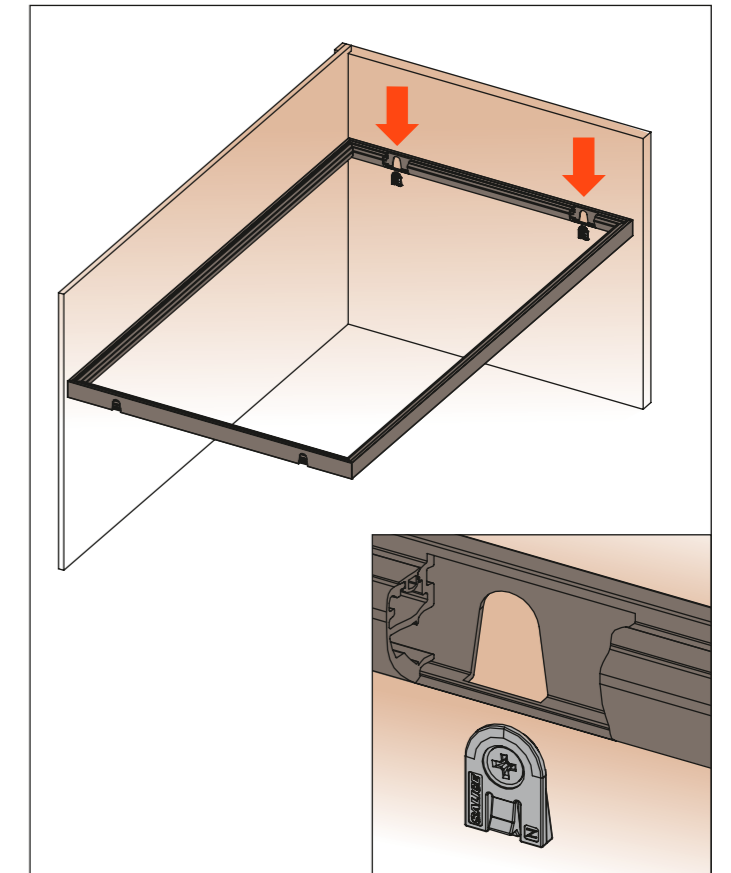


Assembly instructions

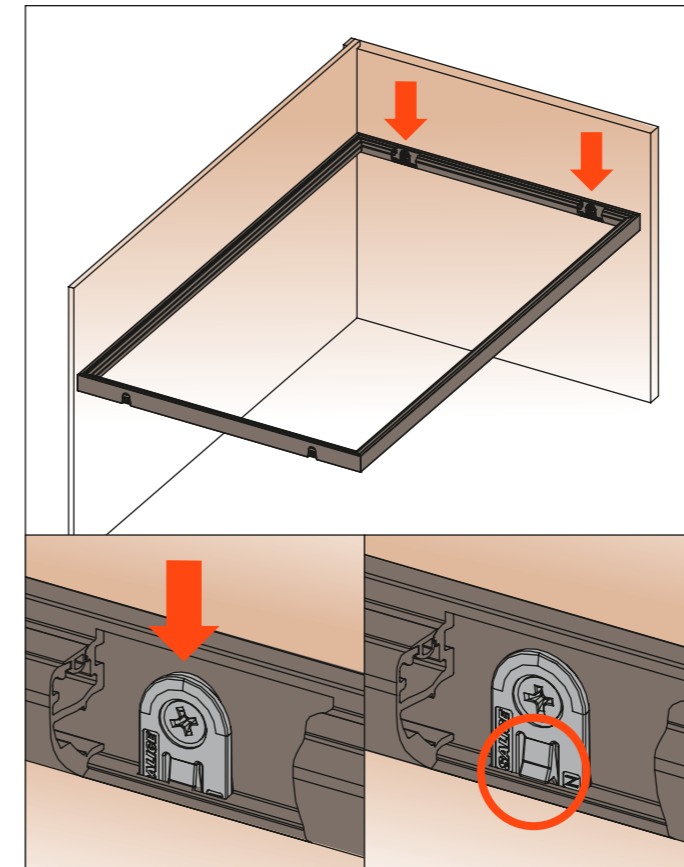
1. Screw-fix the supports to the cabinet side



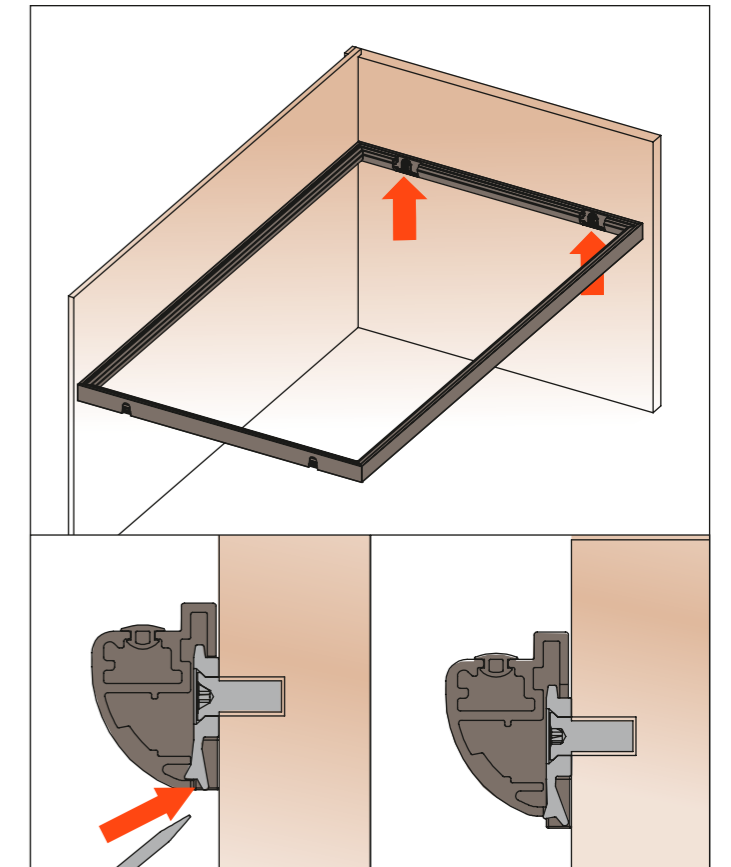
2. Place the shelf onto the supports



3. Press down firmly to lock the shelf in position



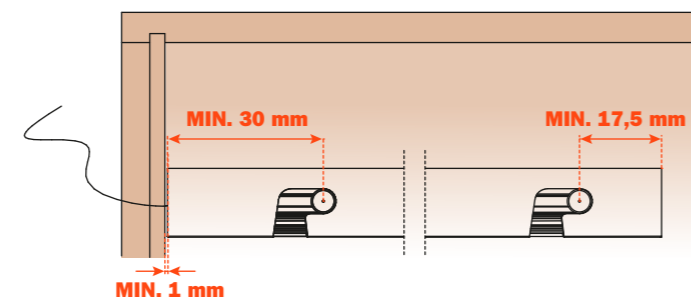
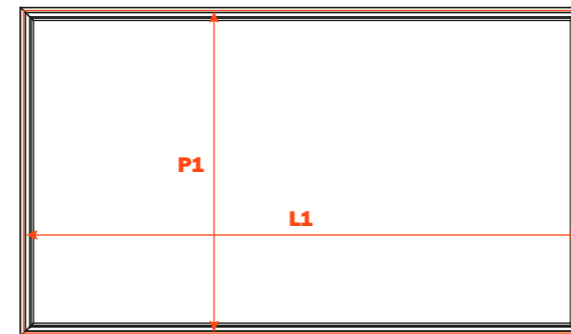
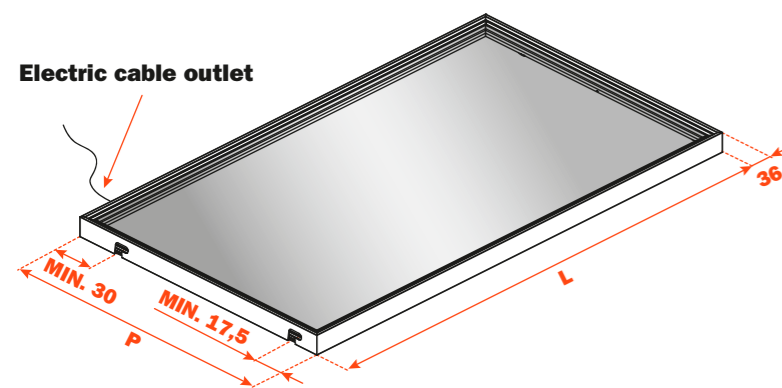
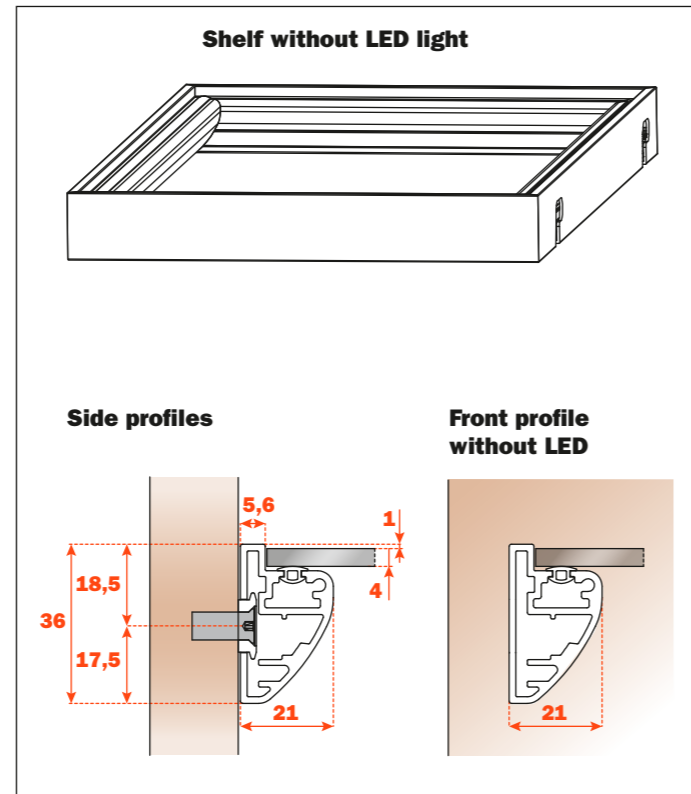
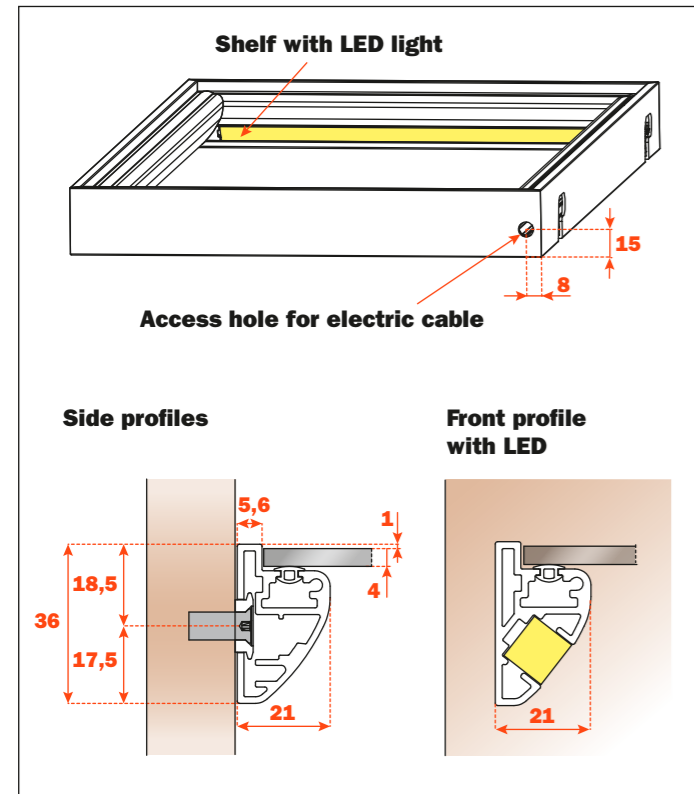
4. Use a screwdriver here to release the shelf



Excessories - shelves - aluminium frame H 36 mm

Shelf with aluminium frame

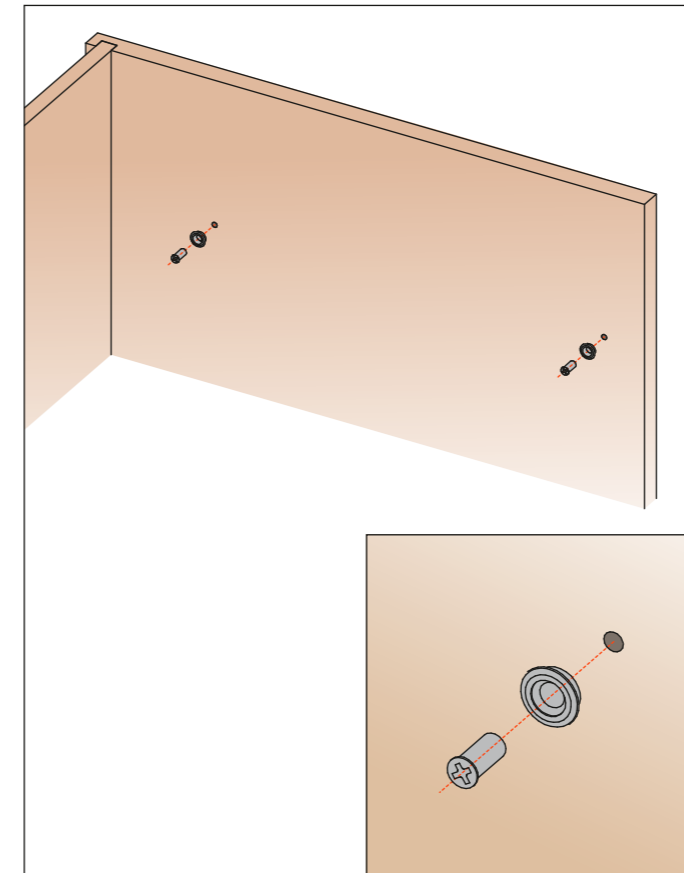
- Profile height: 36 mm
- Material: epoxy-coated aluminium
- Finish: metal grey brown
- Max. width: 1500 mm
- Fixing: side fixed with slide and lock device
- Complete with gasket to hold glass inlay in position
- Glass not supplied
- Available without LED light or with 3000K/4000K Dual colour, 24V LED light
- Supports for hanging rails to be ordered separately
- 3 metre extension cable included
- Custom made to order by specifying width (L) and depth (P)
- Consumption: 13W/M



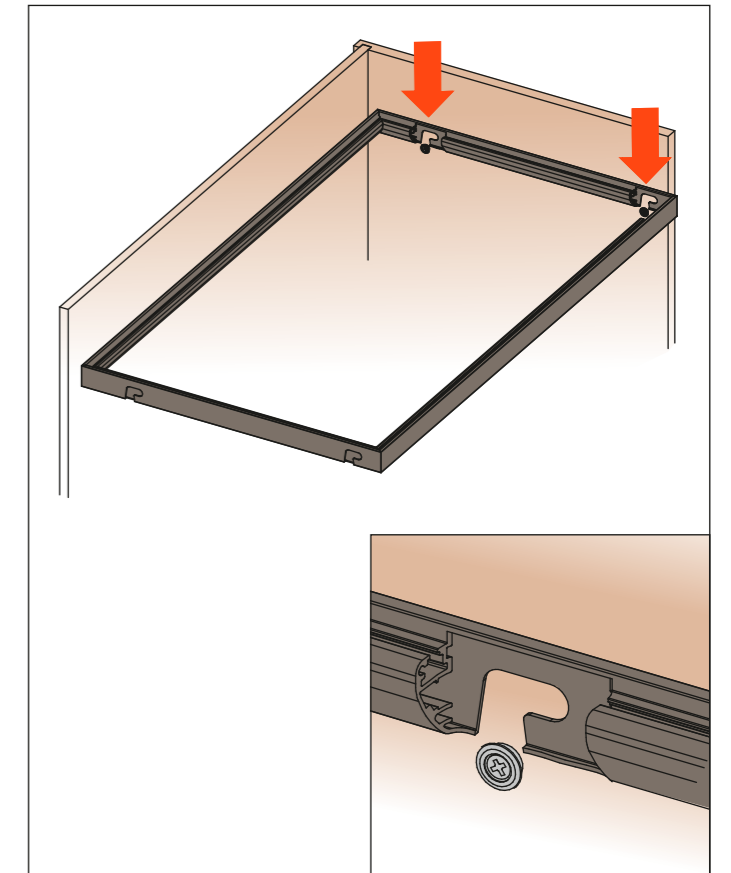
Internal width (L1) mm	Internal depth (P1) mm
L - 13	P - 13

Assembly instructions

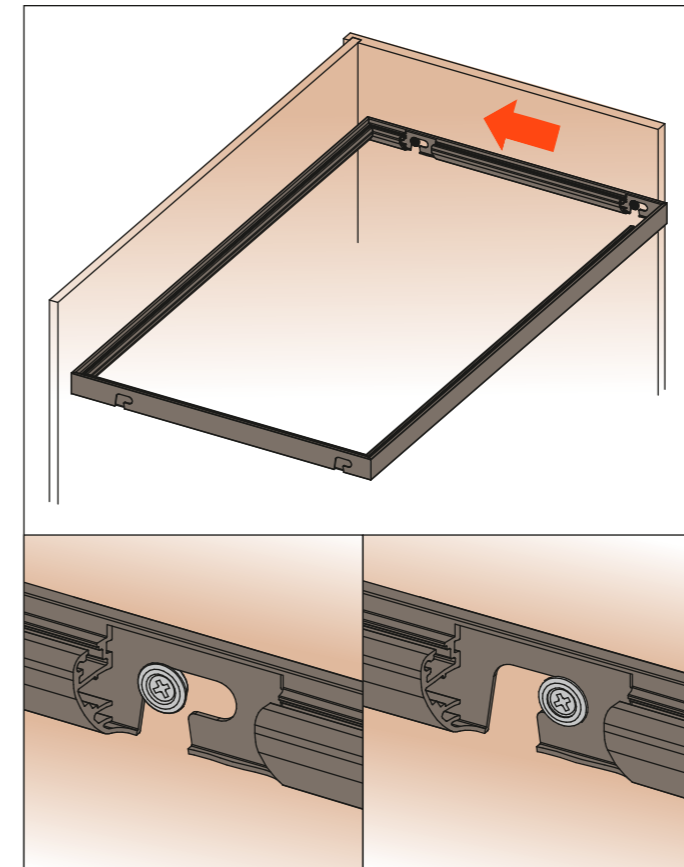
1. Screw-fix the supports to the cabinet side



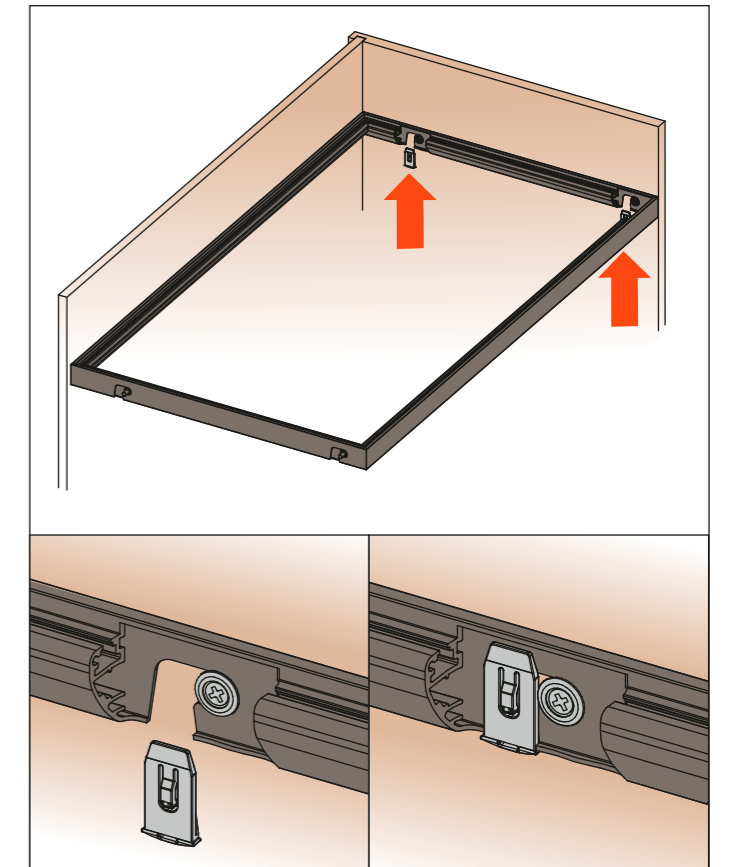
2. Place the shelf onto the supports



3. Slide the shelf backwards to secure it on the support



4. Insert the locking clips

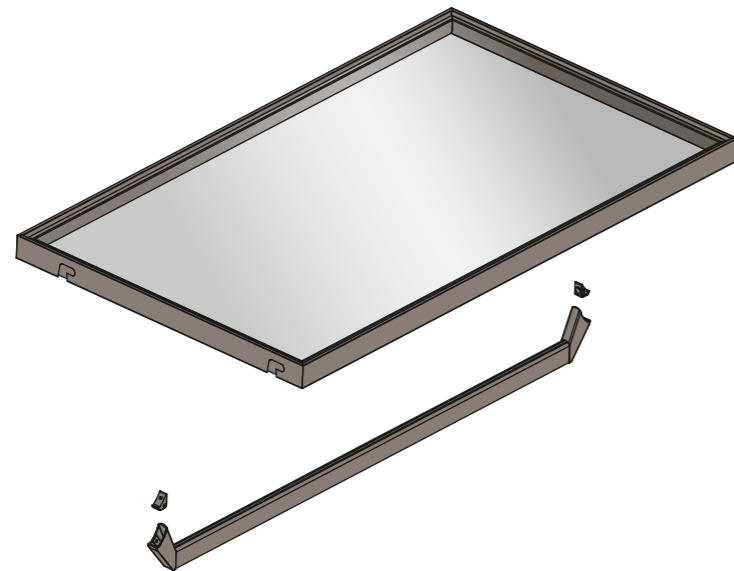
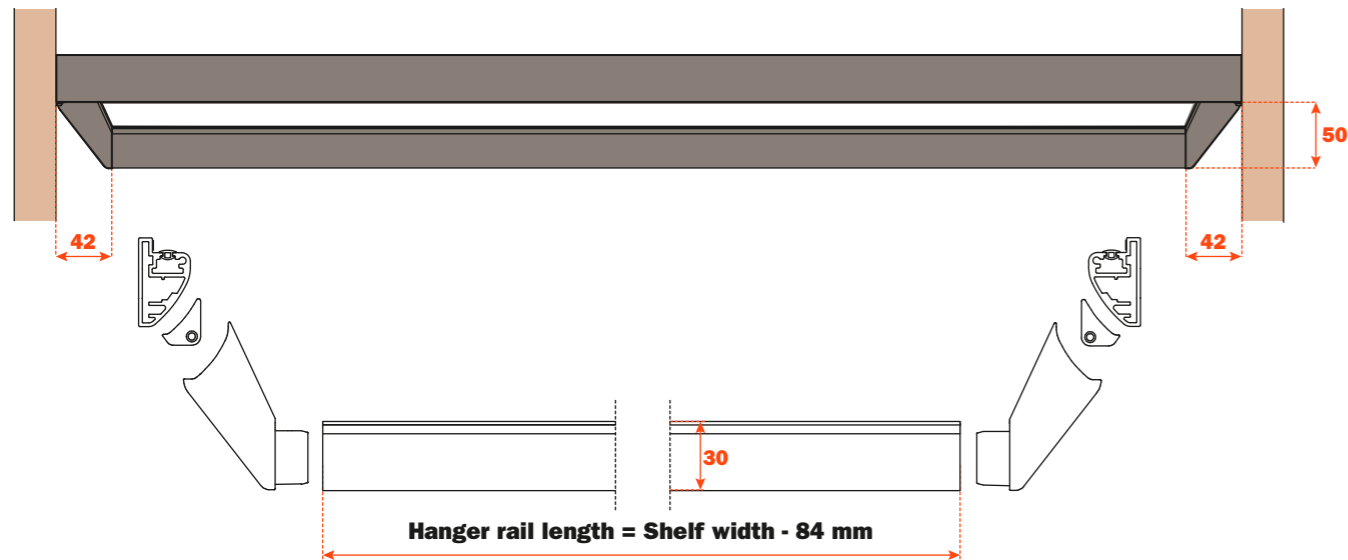


Excessories - shelves - aluminium frame H 36

- VE80DAHA0133B** = Hanger rail for clothes, 1000 mm length
- VE80DAHA0233B** = Hanger rail for clothes, 1500 mm length
- VE80GMRA00533B** = Side rail-holder supports

Hanger rail for clothes and rail-holder supports for shelf with aluminium frame H 36

- Hanger rail material: epoxy-coated aluminium, section 15 x 30 mm
- Supports material: epoxy-coated die-cast
- Finish: metal grey brown
- Max. recommended load capacity:
 - up to 1200 mm width: 30 Kg
 - from 1201 mm to 1500 mm width: 15 Kg
- Packing: 20 pieces per box, screws included
- Custom-length hanging rail available when ordering more than 20 pieces

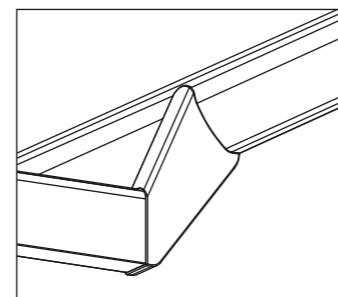
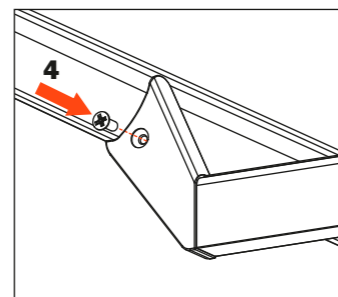
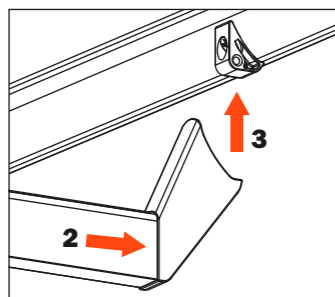
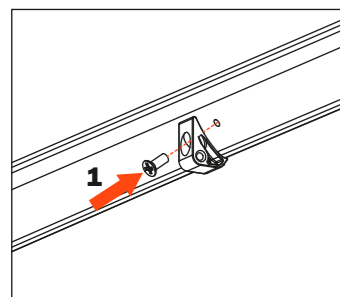


Screw-fix the adapters to the shelf

Insert the hanger rail into the rail-holders and insert them into the adapters

Screw-fix the rail-holders to the adapters


Front view




Electrical components


Electrical components

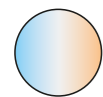
Transformers

	Code number	Description	2 MT 
1	VE80EAMA101XXA	Transformer 120/240 24V 90W 8U. + cable UE (1/1)	
	VE80EAMA102XXA	Transformer 120/240 24V 90W 8U. + cable UK (1/1)	
	VE80EAMA103XXA	Transformer 120/240 24V 90W 8U. + cable US (1/1)	
	VE80EAMA104XXA	Transformer 120/240 24V 90W 8U. + cable CN (1/1)	

	Code number	Description	2 MT 
4	VE80EAMA121XXA	Transformer EDC 120/240 24V 90W 8U. + cable UE (1/1)	
	VE80EAMA122XXA	Transformer EDC 120/240 24V 90W 8U. + cable UK (1/1)	
	VE80EAMA123XXA	Transformer EDC 120/240 24V 90W 8U. + cable US (1/1)	
	VE80EAMA124XXA	Transformer EDC 120/240 24V 90W 8U. + cable CN (1/1)	

Wireless controls

	Code number	Description	
9	VE80EBXA001XXA	Wall mounted wireless control with dimmer function for light intensity and colour temperature. It transforms the standard buttons in wireless control.	
5	VE80EBXA102XXA	Wireless control with dimmer function for light intensity and colour temperature.	
6	VE80EBXA003XXA	Recessed wireless touch control with dimmer function for light intensity and colour temperature.	
7	VE80EBXA104XXA	Wireless touch and PIR (Passive infrared) control with dimmer function for light intensity and colour temperature.	



EDC function (Emotion Dual Color): colour temperature varies from "warm" to "natural"



Dimmer function



Range: 15 m internal area



Battery type: CR2450





Estimated battery life: 3 years




* Compatible with transformer with wireless control receiver


Excessories - shelves - electrical components


	Code Number	Movement sensor (IR) recessed mounted for single door	
11	VE80EBMA123XXA	IR DOOR TUBE - White - 1 door	
	VE80EBMA124XXA	IR DOOR TUBE - Black - 1 door	

	Code Number	Movement sensor (IR) recessed mounted for double door	
12	VE80EBMA125XXA	IR DOOR TUBE - White - 2 doors*	
	VE80EBMA126XXA	IR DOOR TUBE - Black - 2 doors*	

*** x2**

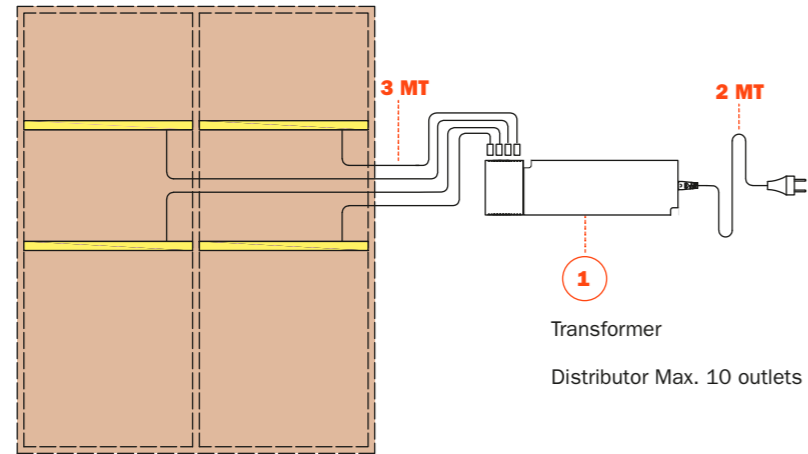
	Code Number	Proximity sensor (PIR) recessed mounted	
13	VE80EBMA121XXA	PIR sensor on 2 metre long cable Mono 24 V DC 4 Max 5 A total, max 3 A/output	

	Code Number	Proximity sensor (IR) recessed mounted	
14	VE80EBMA122XXA	IR Infrared sensor on 2 metre long cable Mono 24 V DC 4 Max 5 A total, max 3 A/output	

	Code Number	Wired module for IR and PIR sensors	
10	VE80EMA101XXA	WIRED module for proximity and movement sensors. One module is controlled by a sensor and has 4 outputs	

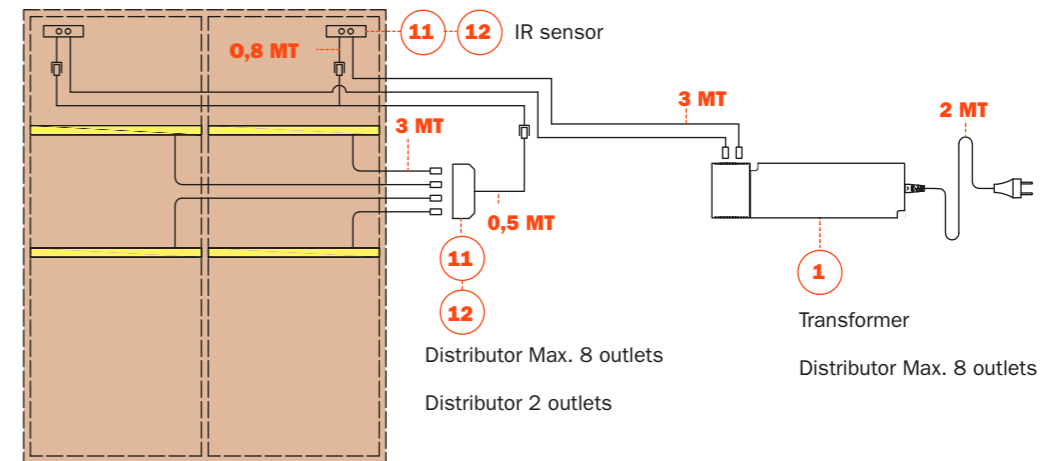
Excessories - shelves - aluminium frame - application examples

Activation by domestic switch

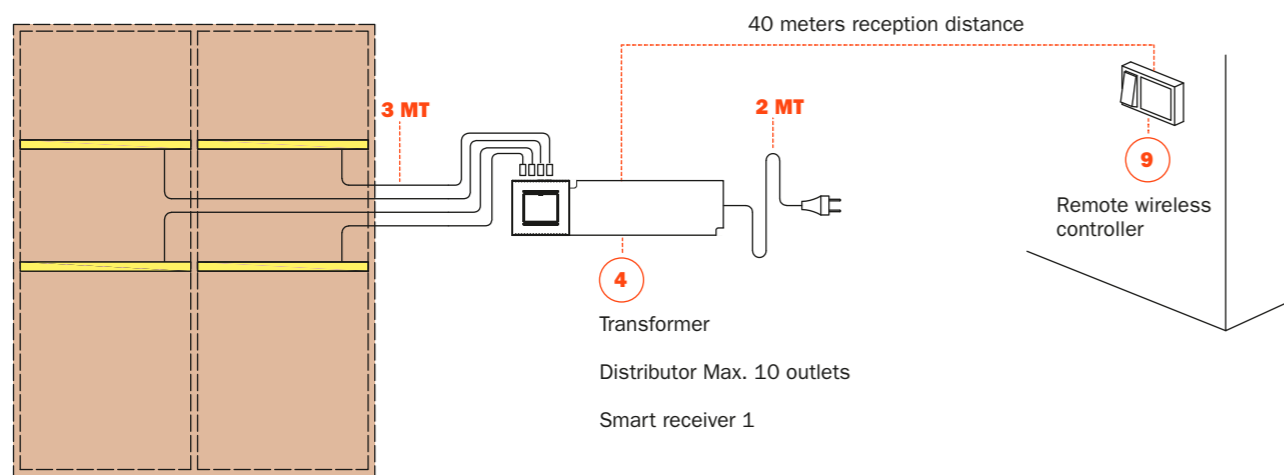


Application examples

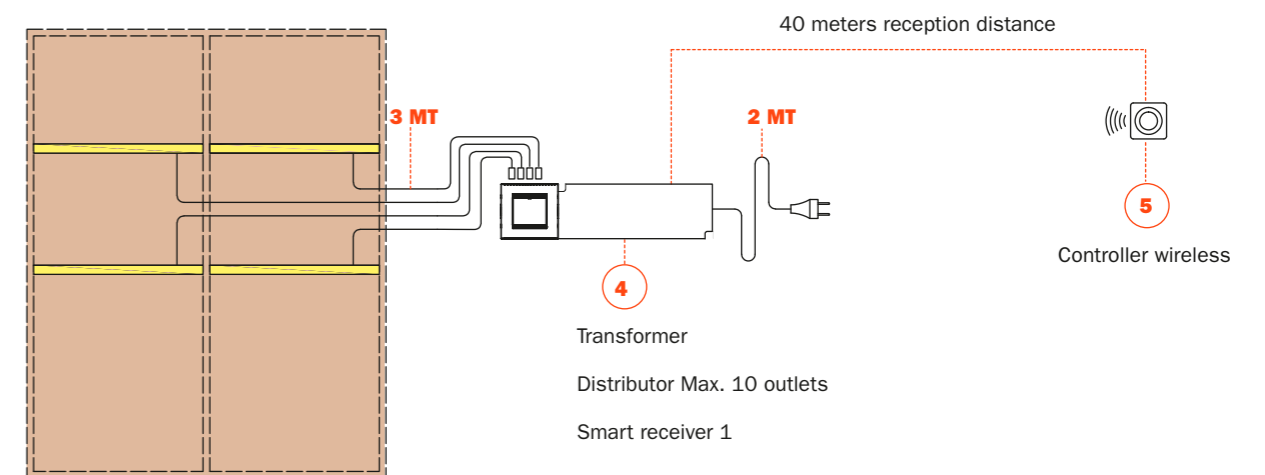
Activation with 1 or 2 IR sensors - Surface mounted/Recessed



Activation by smart switch controller

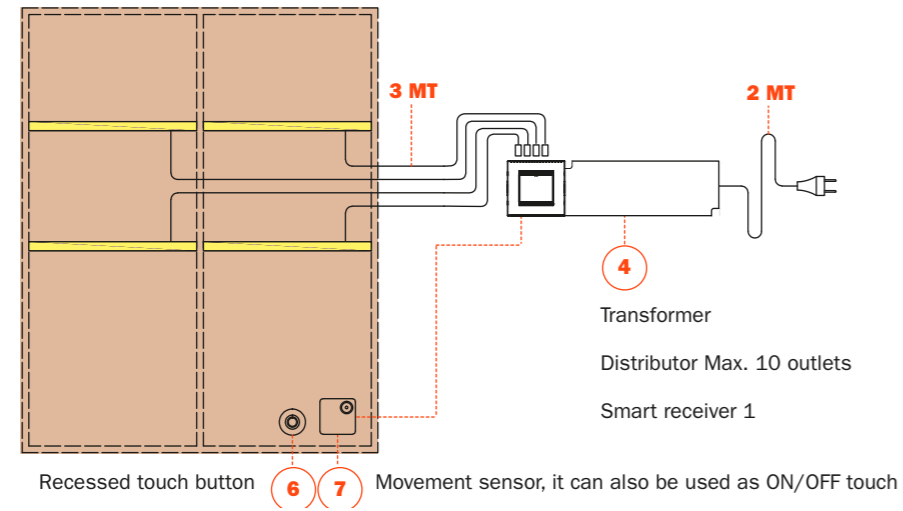


Activation with 1 smart controller

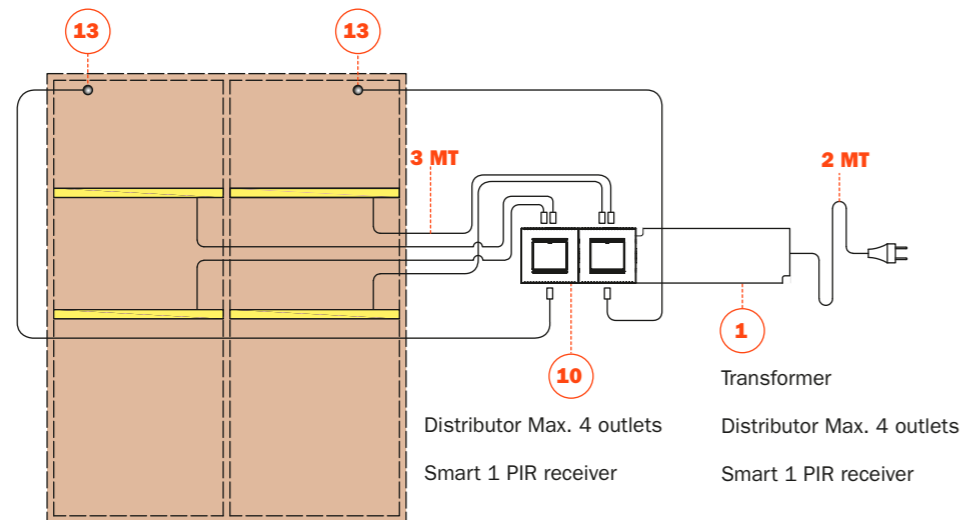


Excessories - shelves - aluminium frame - application examples

Activation with 1 smart touch or smart sensor controller

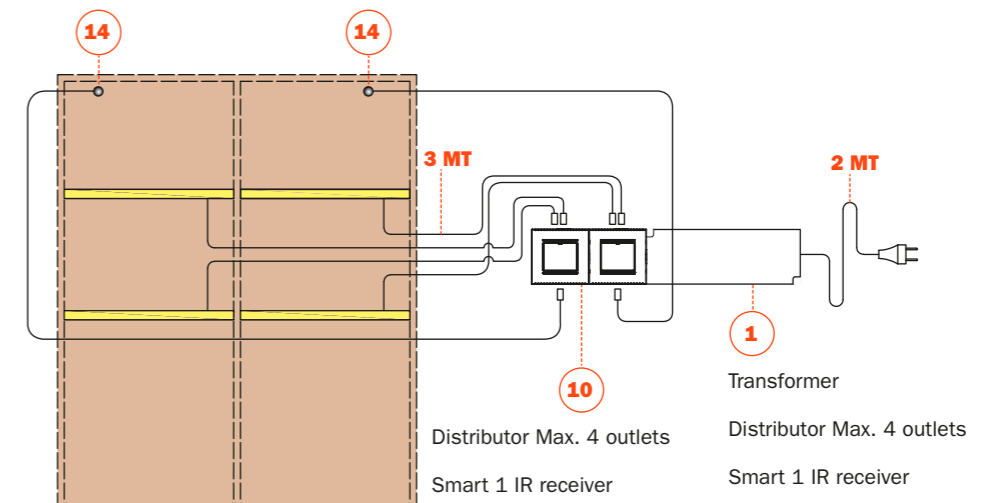


Activation with Smart 1 PIR controller



Application examples

Activation with Smart 1 IR controller



ARTURO SALICE S.p.A.

VIA PROVINCIALE NOVEDRATESE, 10
22060 NOVEDRATE (COMO) ITALIA
TEL. 031 790424 - FAX 031 791508
info.salice@salice.com - www.salice.com

DEUTSCHE SALICE GMBH

RUDOLF DIESEL STR. 10
74382 NECKARWESTHEIM
TEL. 07133 9807-0
FAX. 07133 9807-16
info.salice@deutschesalice.de
www.salice.com

DEUTSCHE SALICE GMBH

VERKAUFSBÜRO NORD
RINGSTRASSE 36/A30 CENTER
32584 LÖHNE
TEL. 05731 15608-0
FAX. 05731 15608-10
vknord@deutschesalice.de
www.salice.com

SALICE UK LTD.

KINGFISHER WAY
HINCHINGBROOKE BUSINESS PARK
HUNTINGDON CAMBS PE 29 6FN
TEL. 01480 413831
FAX. 01480 451489
info.salice@saliceuk.co.uk
www.salice.com

BORTOLUZZI SISTEMI S.p.A.

VIA CADUTI 14 SETTEMBRE 1944, 45
32100 BELLUNO ITALIA
TEL. 0437 930866 - FAX 0437 931442
info@bortoluzzi.com - www.bortoluzzi.com

SALICE FRANCE S.A.R.L.

285 RUE DE GOA ZAC LES 3 MOULINS
06600 ANTIBES
TEL. 0493 330069
FAX. 0493 330141
info.salice@salicefrance.com
www.salice.com

SALICE ESPAÑA, S.L.U.

C/ AIGUAFREDA 4, P.I. AMETLLA PARK
08480 L'AMETLLA DEL VALLÈS (BARCELONA)
TEL. 0034 938 46 88 61
info.salice@salicespana.es
www.salice.com

SALICE PORTUGAL UNIP. LDA

SHOWROOM:

TV SÁ E MELO 161 FA
4470-116 MAIA – PORTO
TEL: 00351 224 154 221
Info@saliceportugal.pt
www.salice.com

ARMAZÉM:

VIA ROTA DOS MÓVEIS I 399
4585-325 GANDRA

SALICE CHINA (SHANGHAI) CO. LTD.

1st FLOOR, B1 BLDG 928 MINGZHU ROAD
XUJING, QINGPU DISTRICT
SHANGHAI 201702 - CHINA
TEL. 021 3988 9880
FAX. 021 3988 9882
info.salice@salicechina.com
www.salicechina.com

SALICE INDIA PVT. LTD.

1001 & 1002, 10TH FLOOR,
CENTRUM, PLOT NO. C-3,
OPP. WAGLE PRABHAG SAMITI OFFICE,
MIDC AREA, WAGLE INDUSTRIAL ESTATE,
THANE - 400604, MAHARASHTRA
TEL. 022 20812050
info@saliceindia.com
www.salice.com

SALICE CANADA INC.

3500 RIDGEWAY DRIVE,
UNIT#1
MISSISSAUGA, ONTARIO, L5L 0B4
TEL. 905 820 8787
FAX. 905 820 7226
info.salice@salicecanada.com
www.salicecanada.com

SALICE AMERICA INC.

2123 CROWN CENTRE DRIVE
CHARLOTTE NC. 28227
TEL. 704 841 7810
FAX. 704 841 7808
info.salice@saliceamerica.com
www.saliceamerica.com



Digital contents



DOGASS012ENG
Ec. 06 - 04/2026



www.salice.com