

Slider M50+

**Coplanar two-door
cushioned sliding system
- capacity 50 kg per door.**

Assembly and
adjustments

SALICE

INDEX

Technical features	2
Packaging Contents	3
Types of assembly	5
Installing the clips	6
Unit levelling	7
Installing the upper mechanism onto the cabinet	8
Installing the lower mechanism onto the cabinet	10
Door preparation	11
Mounting the door	13
Application of bumper	15
Adjusting the door	16
Troubleshooting	21

TECHNICAL FEATURES

PRODUCT OVERVIEW

- › Coplanar mechanism with 2 doors.
- › Maximum weight for each door 110 lbs (evenly distributed).
- › Decelerated opening and closing of the doors.
- › Required door dimensions:
 - min 600 mm (23-5/8");
 - max 2000 mm (78-3/4").
- › Height of the doors from floor level:
 - 17 mm (1-5/16").
- › Recessed-mounted adjusters door:
 - thickness: min 19 mm (3/4");
max 45 mm (1-25/32")
(including handle protrusion).
- › Screw-on mounted adjusters:
 - door thickness: min 19 mm (3/4");
max 40 mm (1-9/16")
(including handle protrusion).
- › Door adjustment: - vertical ± 5.0 mm (3/16");
- lateral ± 3.5 mm (1/8").
- › Upper track mechanism is assembled on top of the case with clips and screws on the side.
- › Lower track mechanism is assembled on bottom of the case with clips and screws on the side.

SPECIFICATIONS FOR MECHANISMS

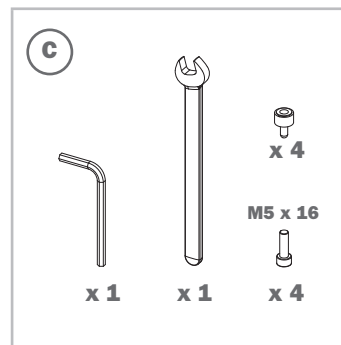
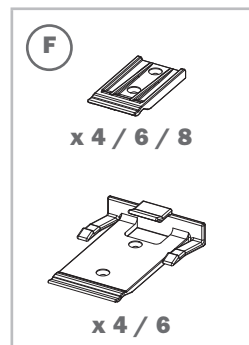
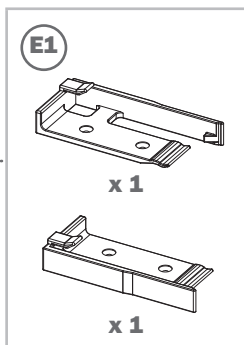
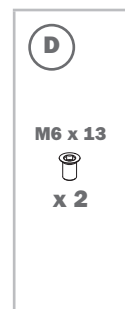
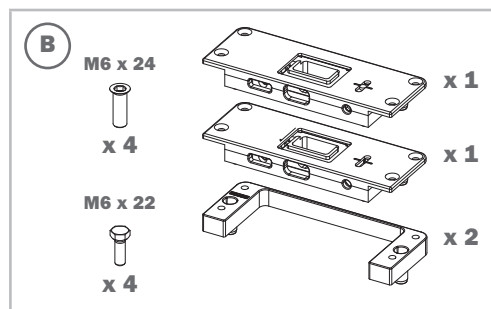
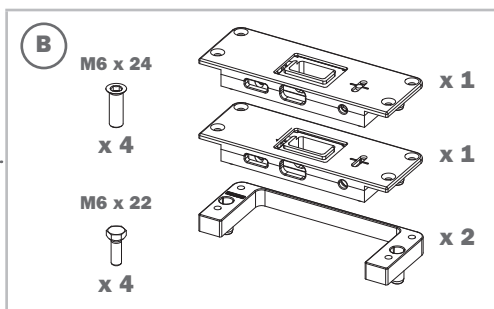
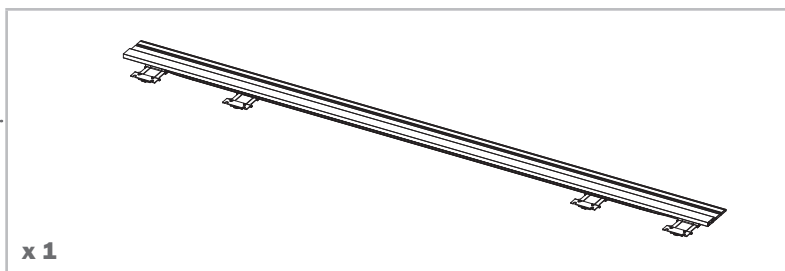
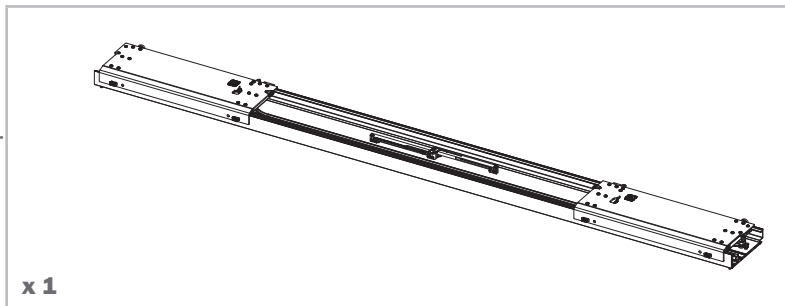
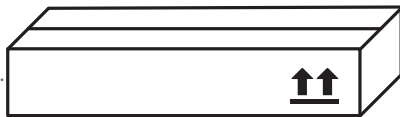
With overall lengths between 1199 mm (47-7/32") and 1499 mm (59")

- › Max. door height: 2200 mm (86-5/8").
- › Adaptability to carcasses up to 100 mm (4") wider than the track; DBS = 100 mm max.

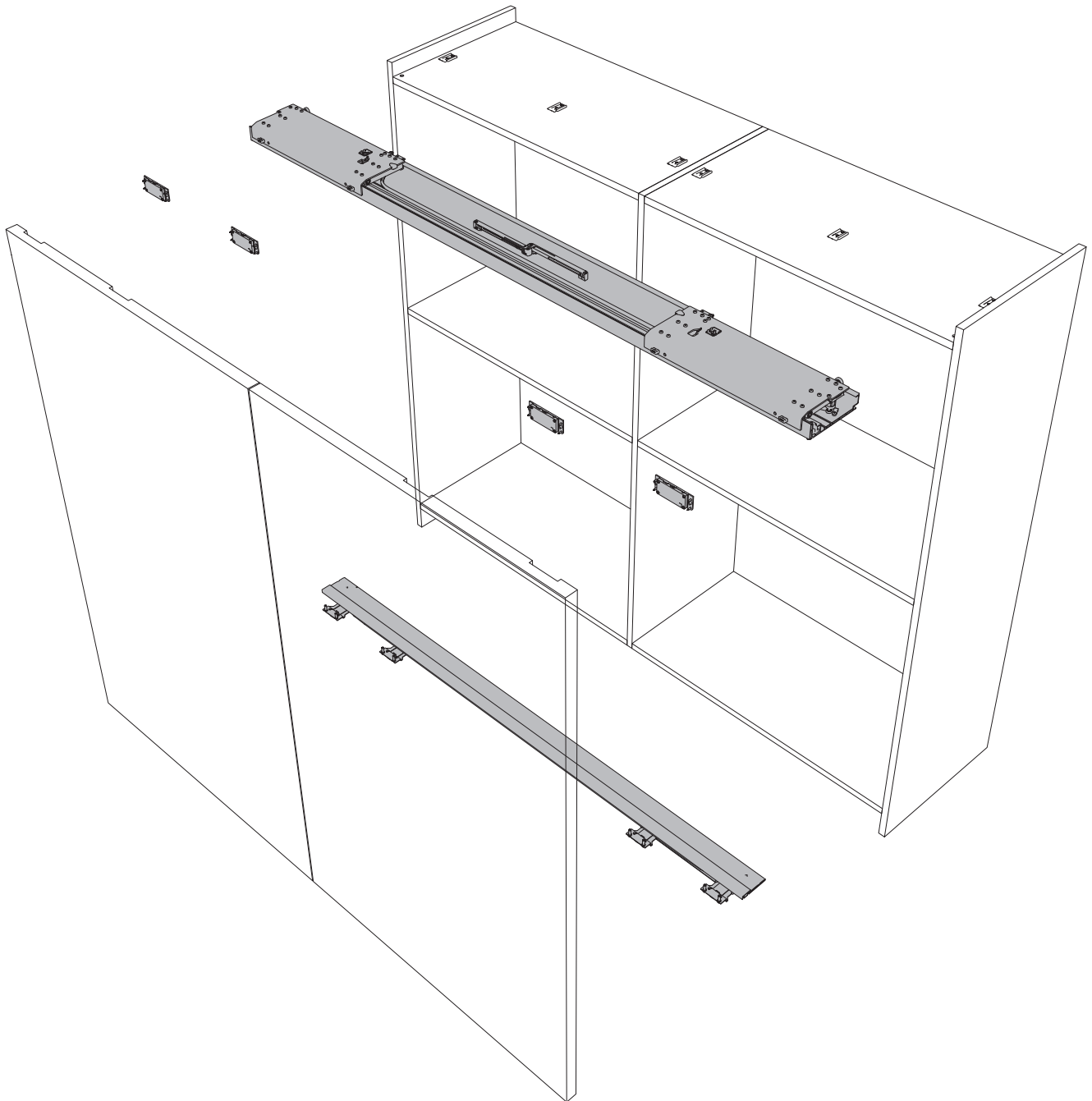
With overall lengths between 1599 mm (63") - 2799 mm (110-3/16")

- › Max. door height: 3000 mm (118-1/8").
- › Adaptability to carcasses up to 200 mm (7-7/8") wider than the track; DBS = 200 mm max.
- › Compatible with our Clipper-aluminum door system.

PACKAGING CONTENTS

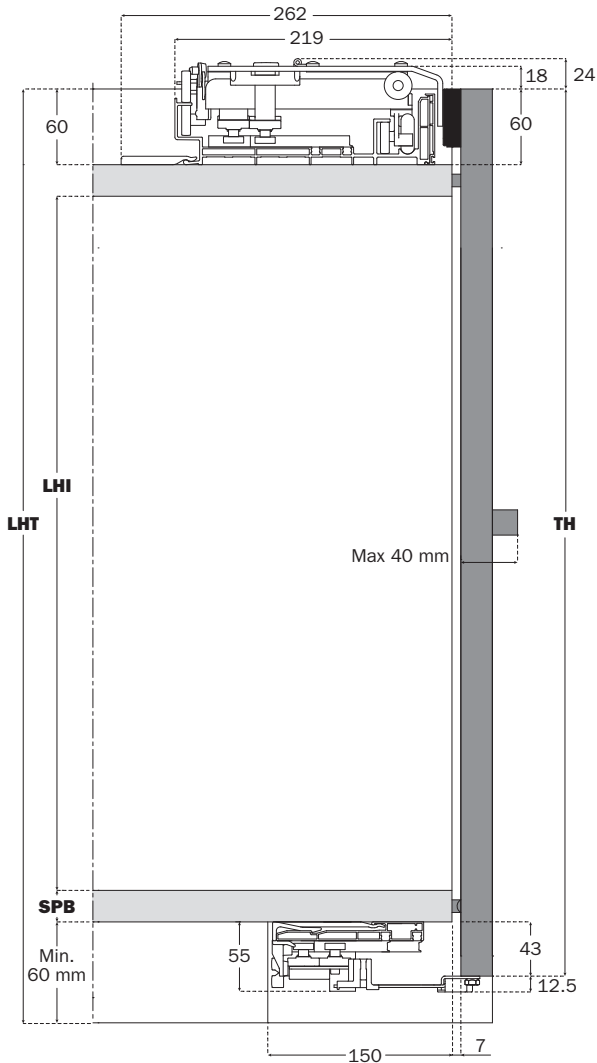


Slider M50+

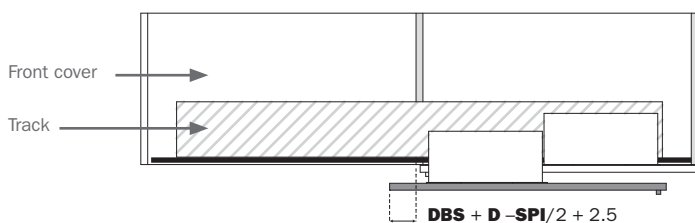
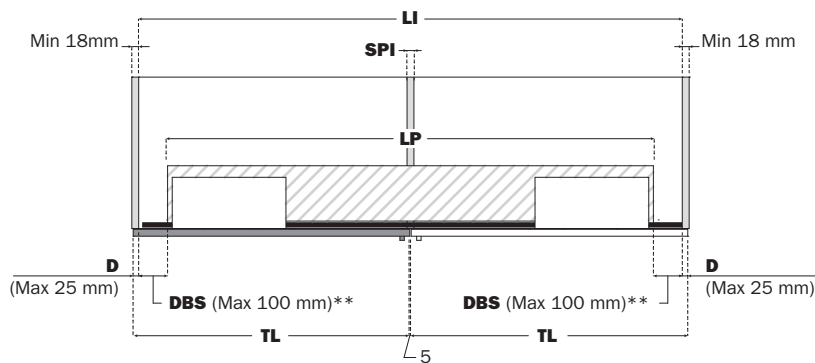
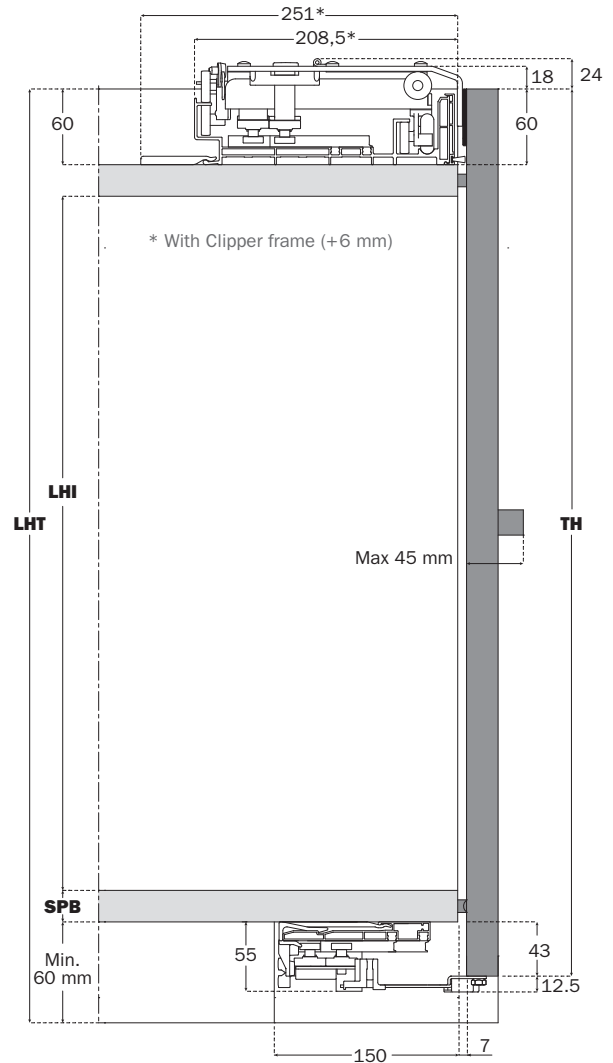


TYPES OF ASSEMBLY

External adjustment elements



Mounted adjustment elements



CODE REFERENCES

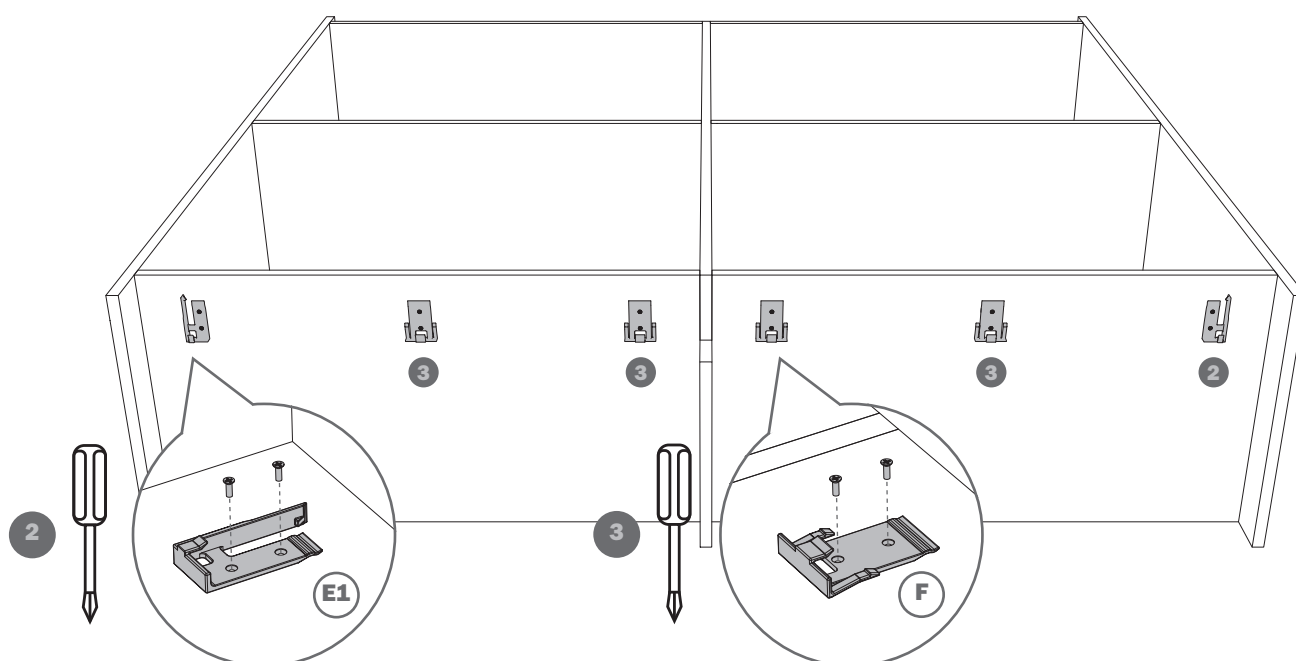
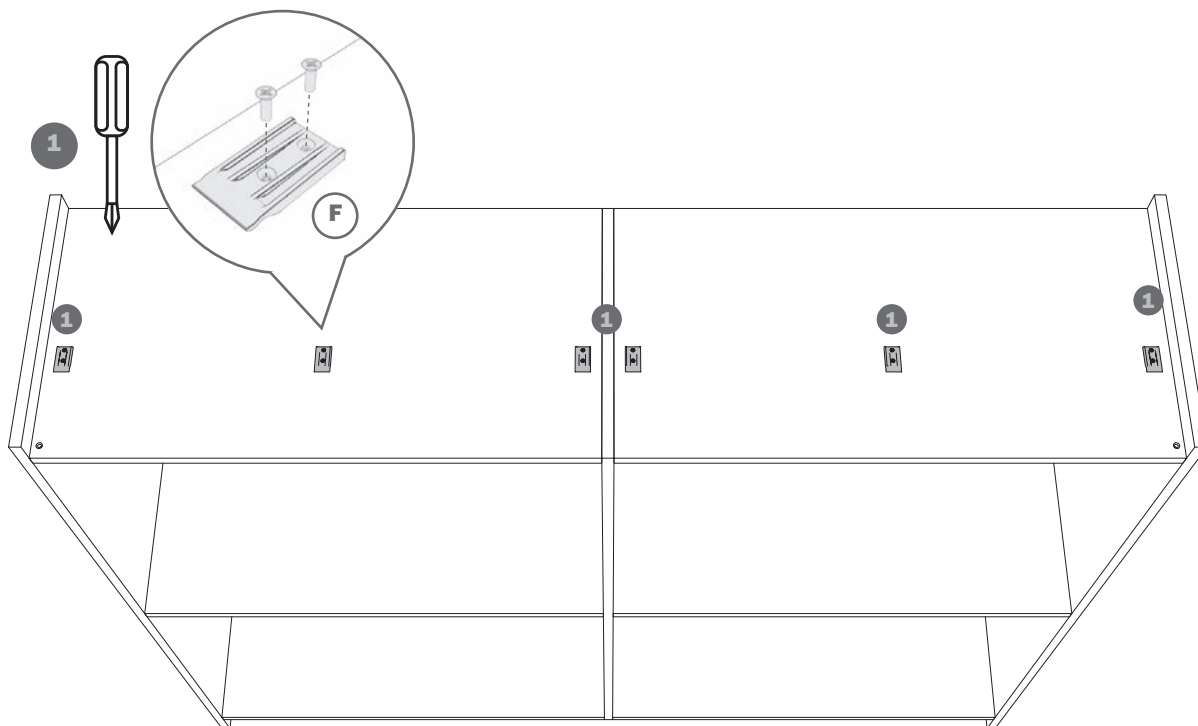
- LI** Carcase internal width (ID) (mm).
- LA** Door width (mm).
- HI** Internal carcase height (mm).
- SPI** Support panel thickness (mm).
- SAE** Door overlay (mm).
- HA** Door height (mm).
- HT** Total carcase height (mm).
- DBS**** Space between the track and the side of the carcase max 50 mm (2") for mechanisms between 1199 mm (47&7/32") and 1499 mm (59").

The M50 STANDARD slider mechanisms can be installed on a carcase which may exceed the dimensions of the track itself by 100/200 mm (3-15/16" to 7-7/8"). In this instance consider a reduced door opening as described in the formula below.

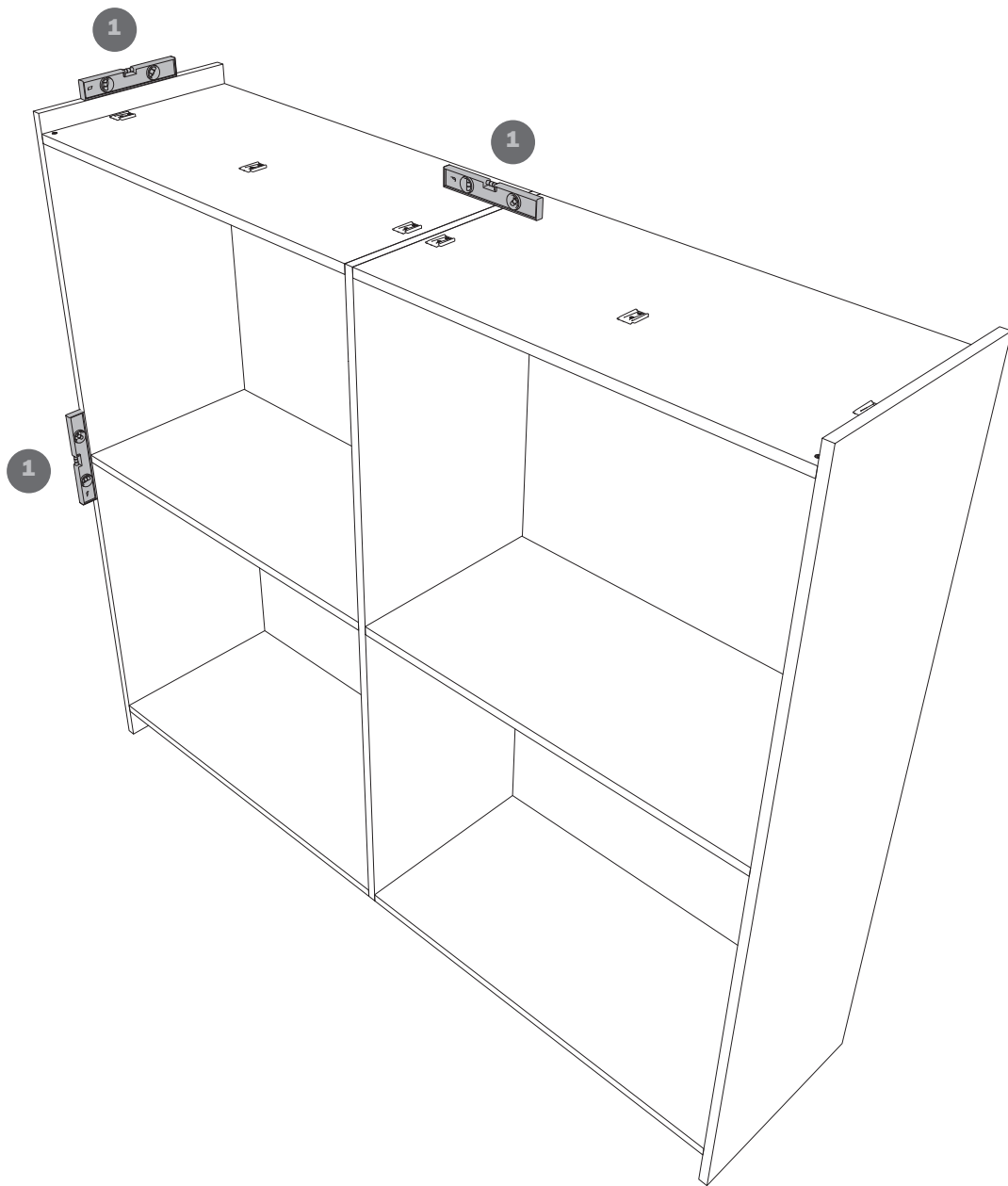
(DBS + SAE - SPI/2 + 2.5)

In other words your carcase may exceed the length of the mechanism by the above dimension which will result in the doors stopping short of closing on one another by a length indicated in the formula.

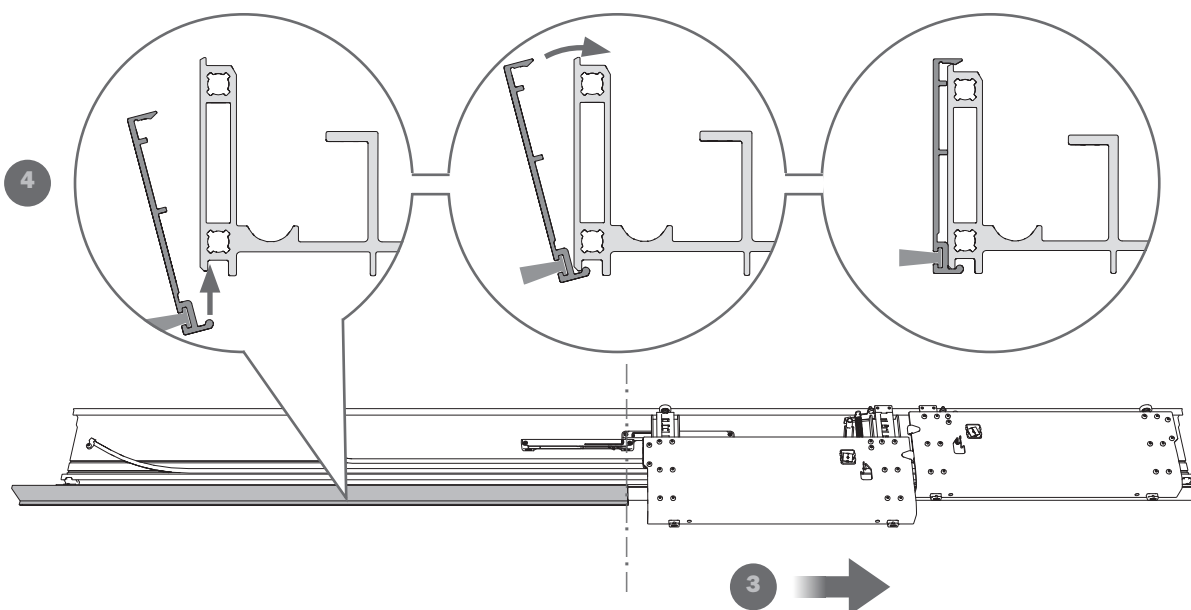
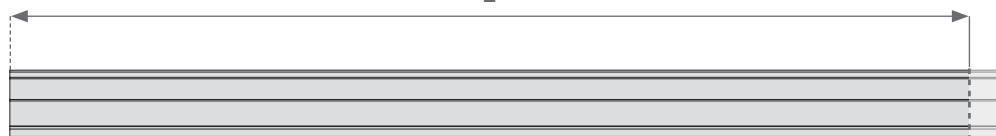
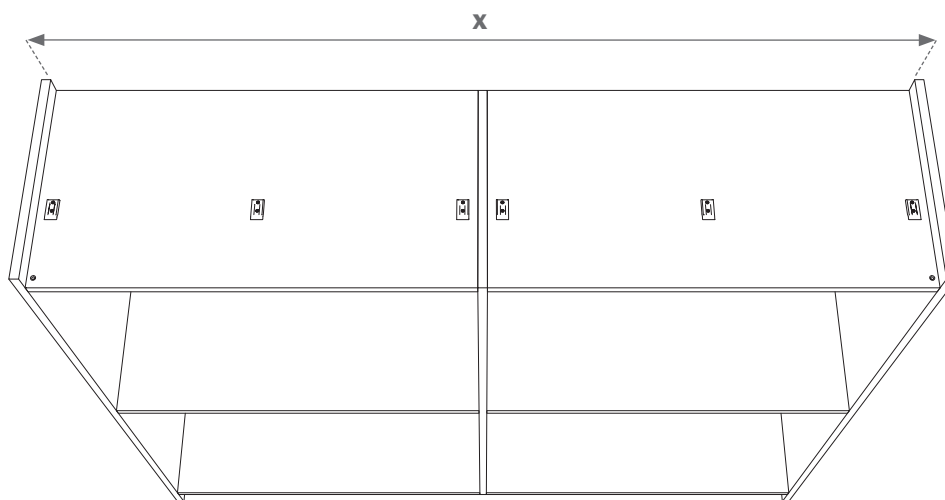
INSTALLING THE CLIPS

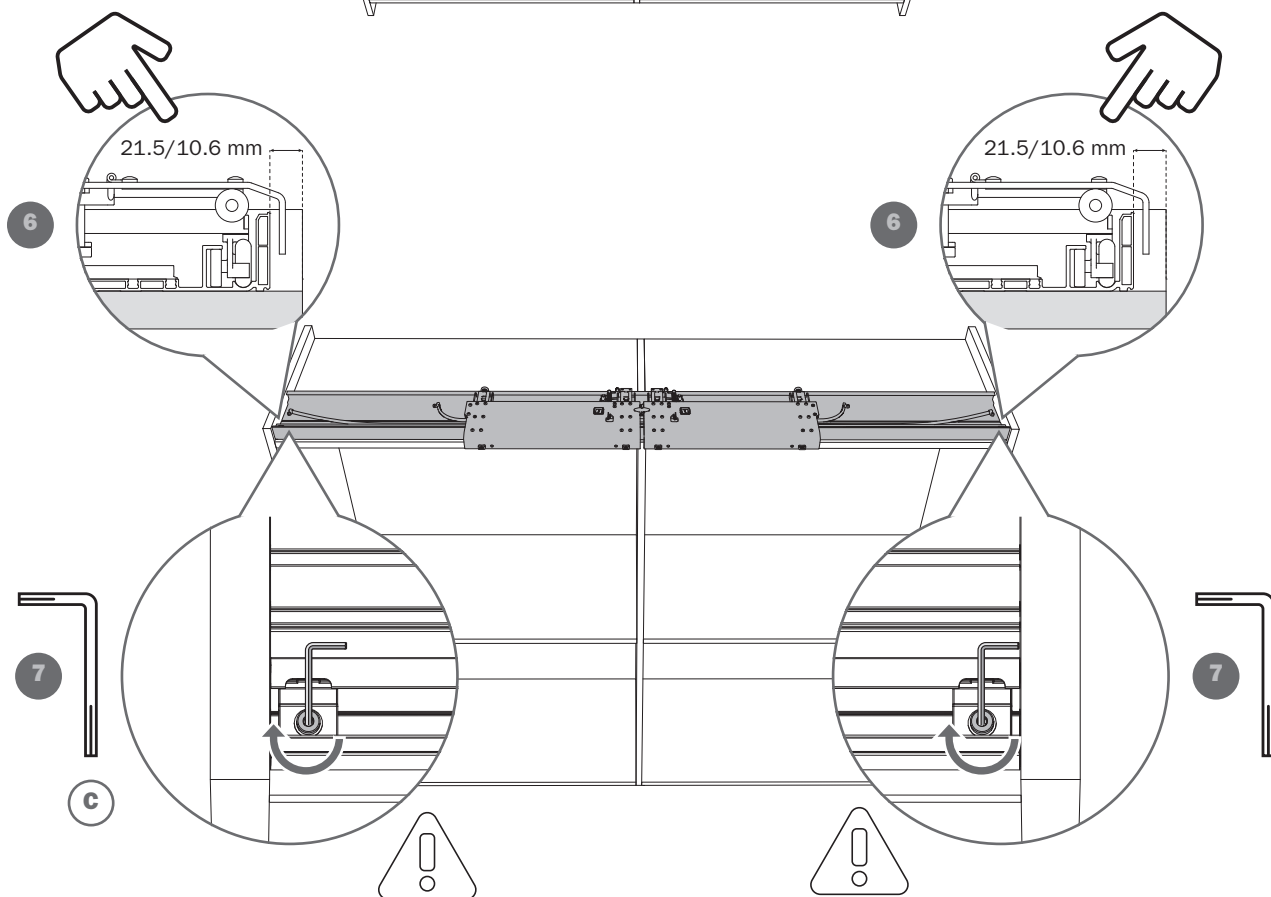
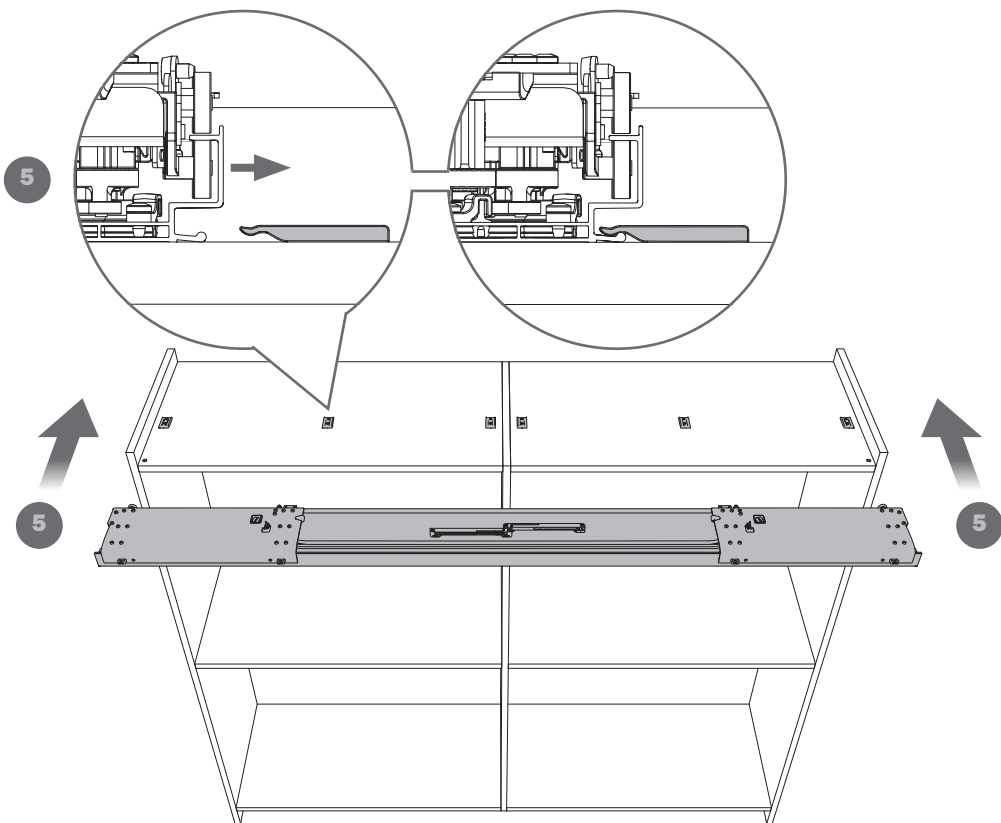


UNIT LEVELLING

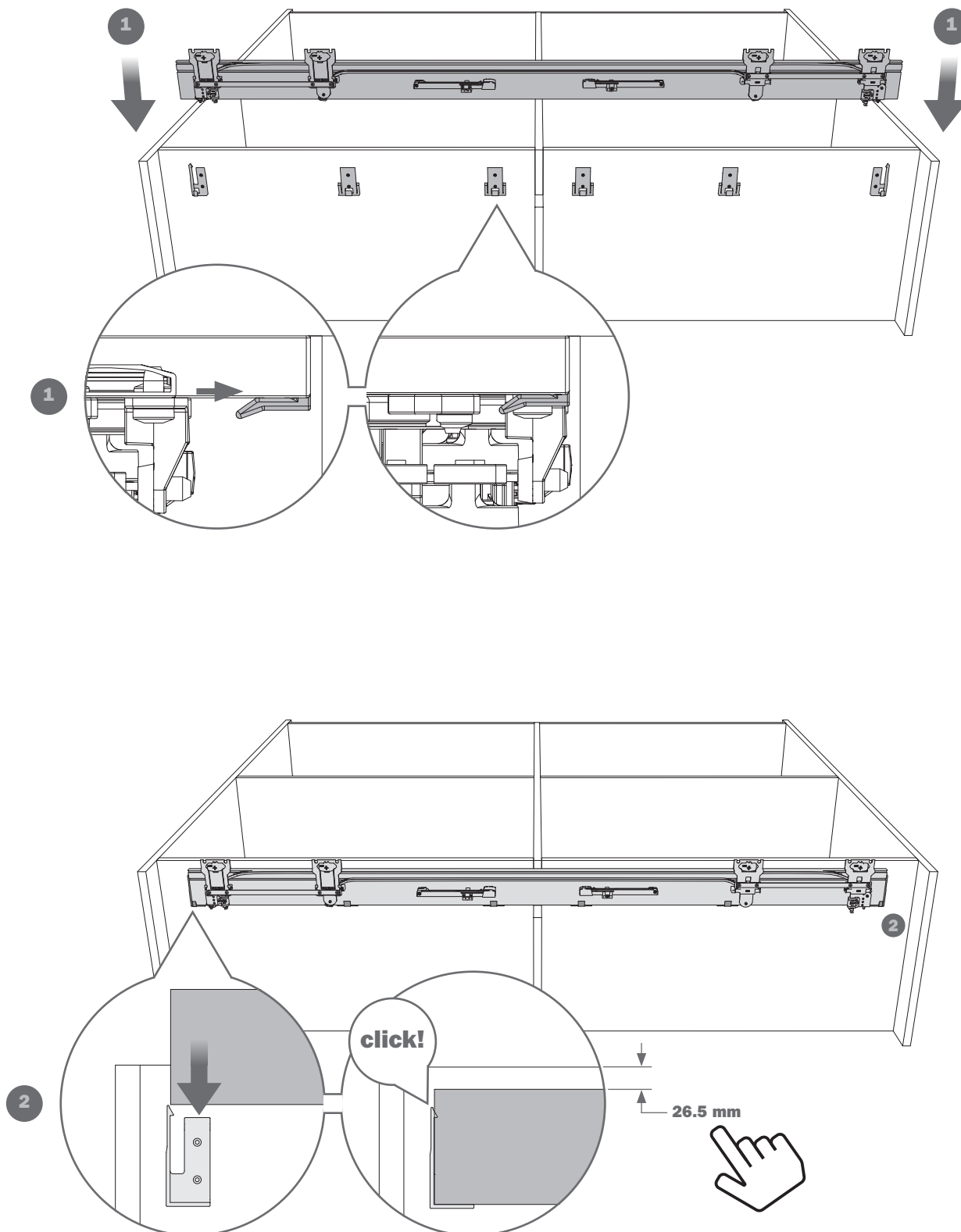


INSTALLING THE UPPER MECHANISM ONTO THE CABINET



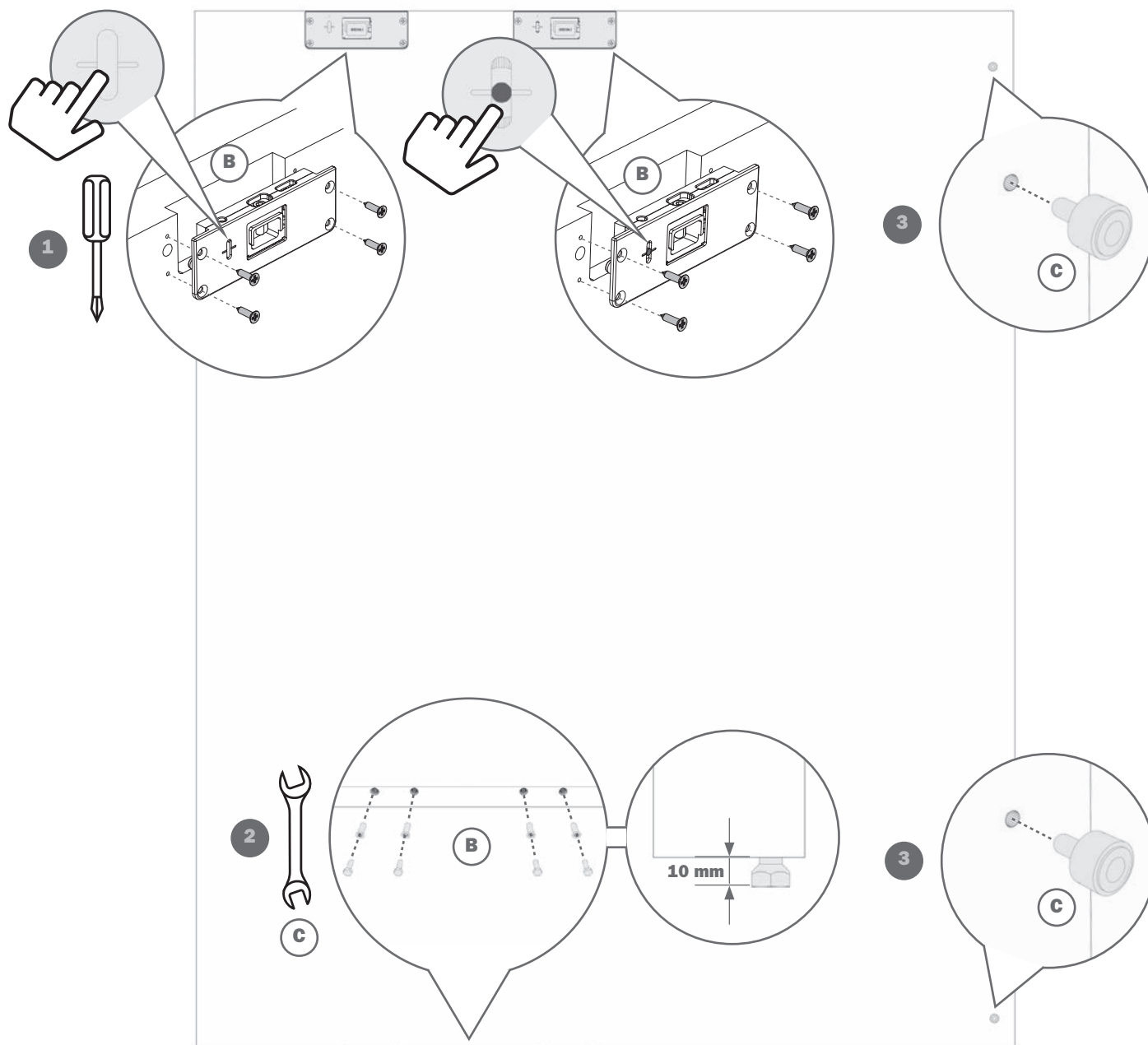


INSTALLING THE LOWER MECHANISM ONTO THE CABINET



PREPARATION OF THE RIGHT DOOR

(mounted adjustment elements)

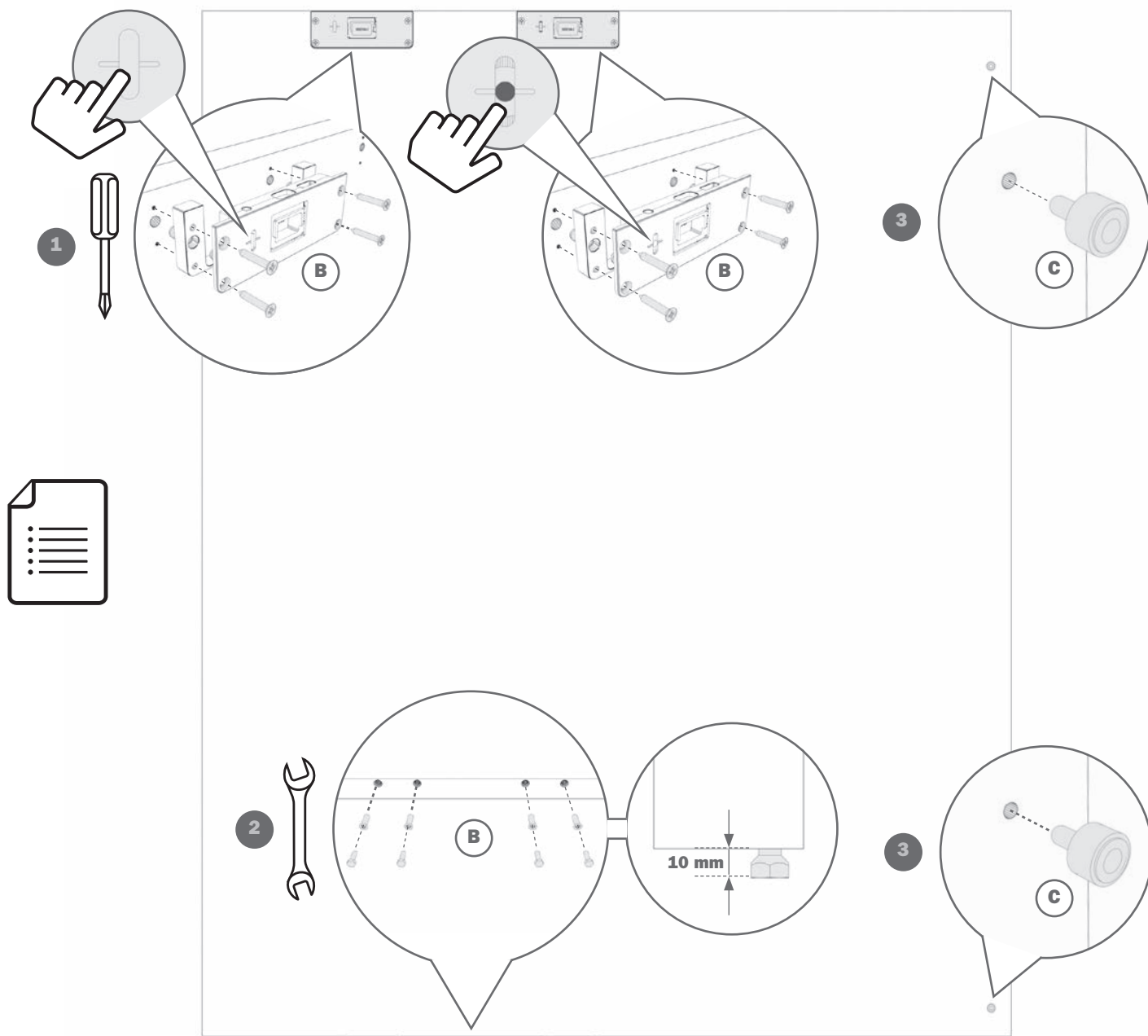


PREPARATION OF THE LEFT DOOR

Repeat the steps from **1** to **3**.

PREPARATION OF THE RIGHT DOOR

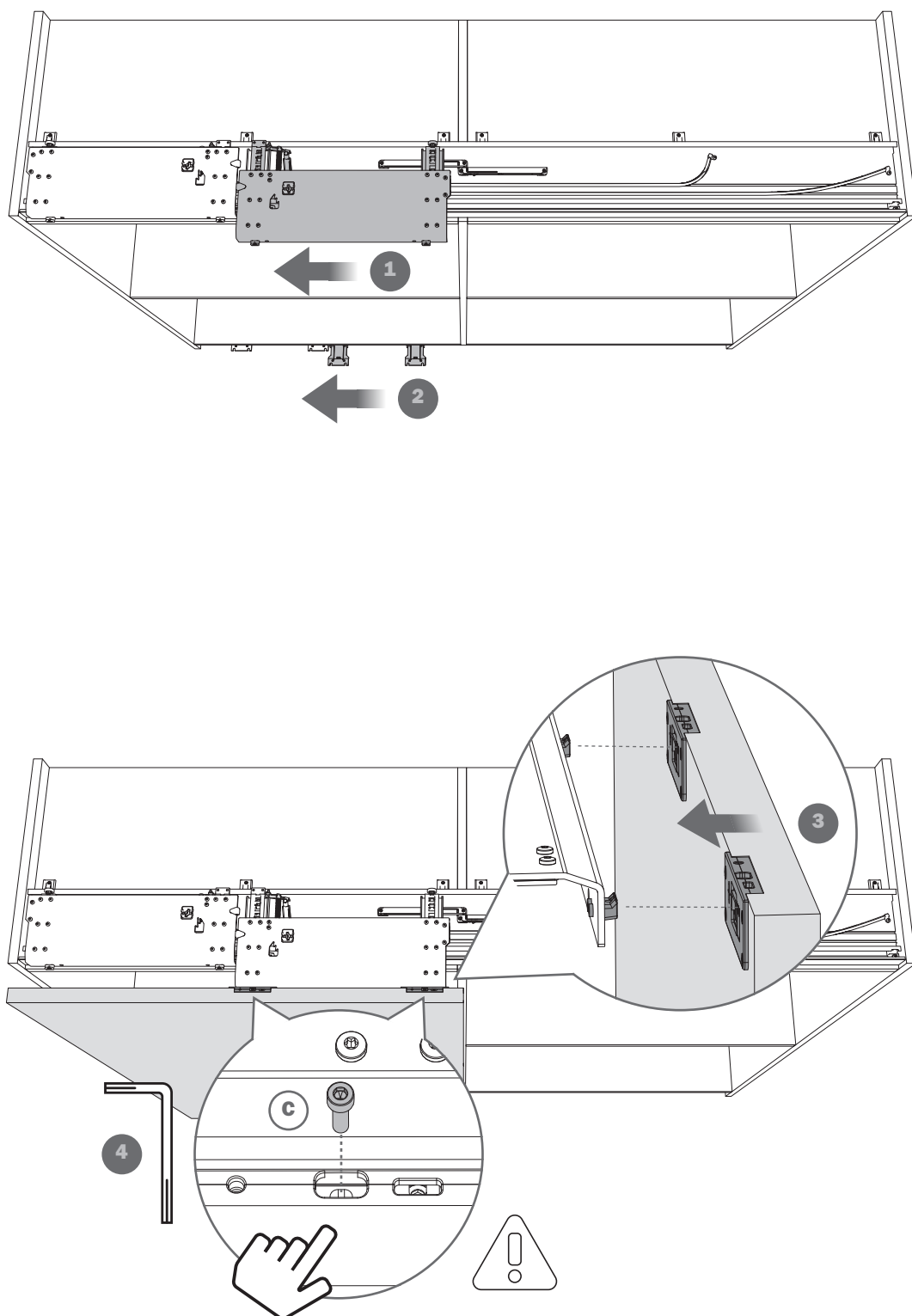
(external adjustment elements)



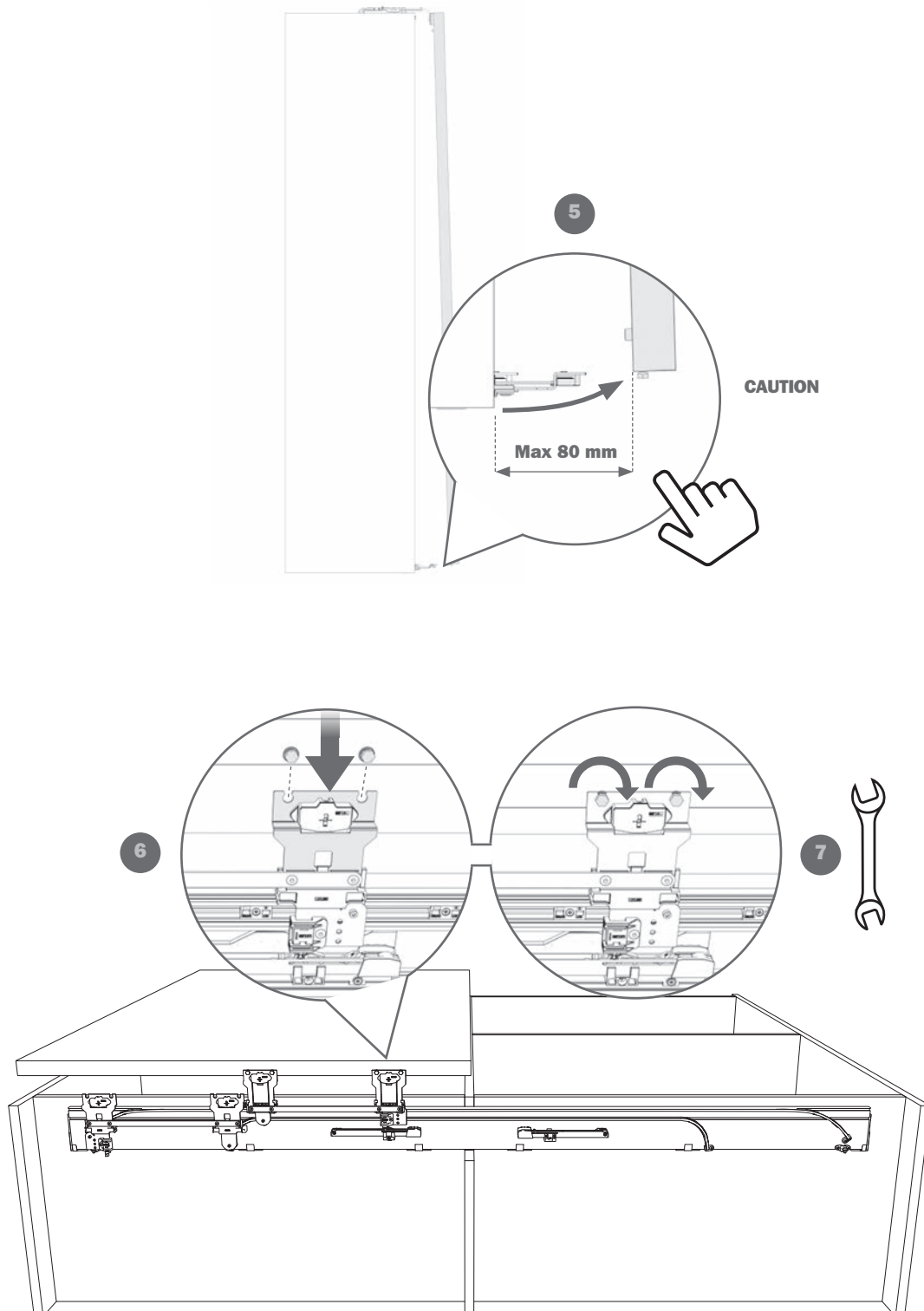
PREPARATION OF THE LEFT DOOR

Repeat the steps from **1** to **3**.

MOUNTING THE RIGHT DOOR



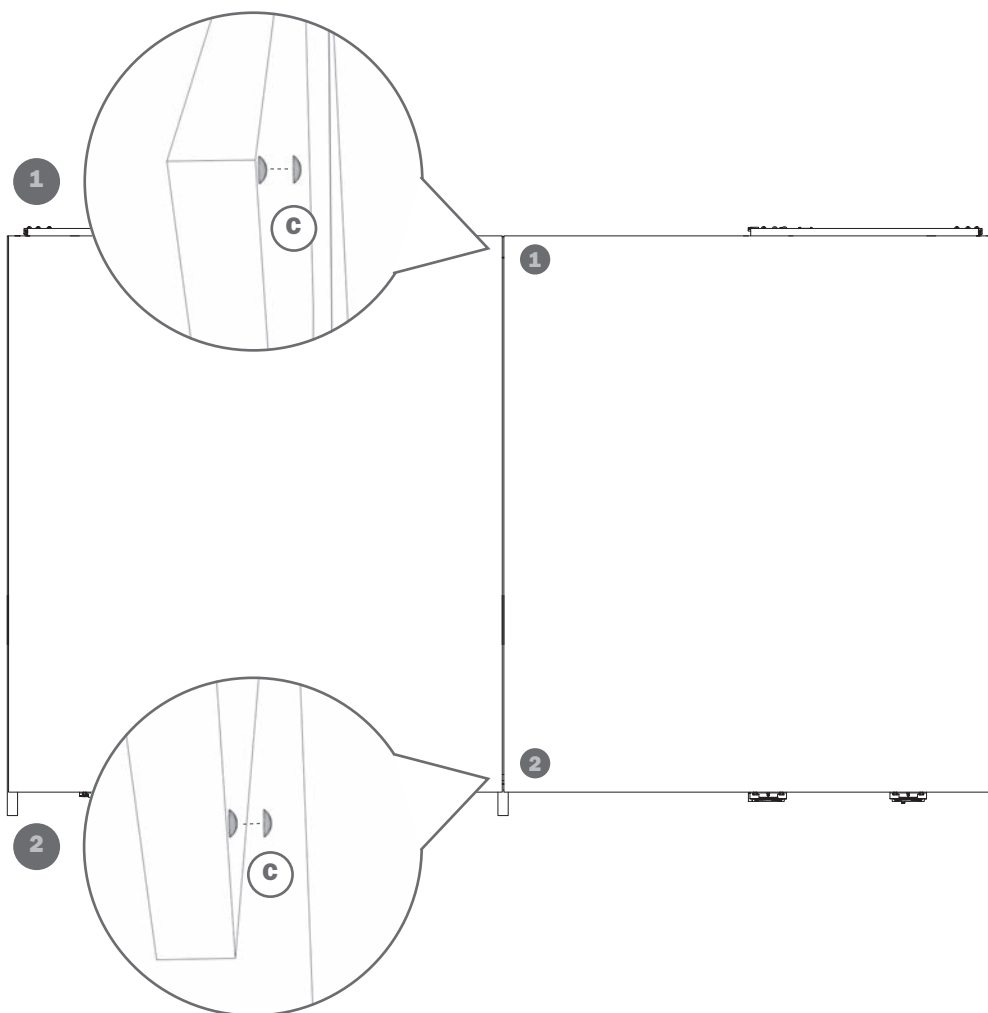
MOUNTING THE RIGHT DOOR



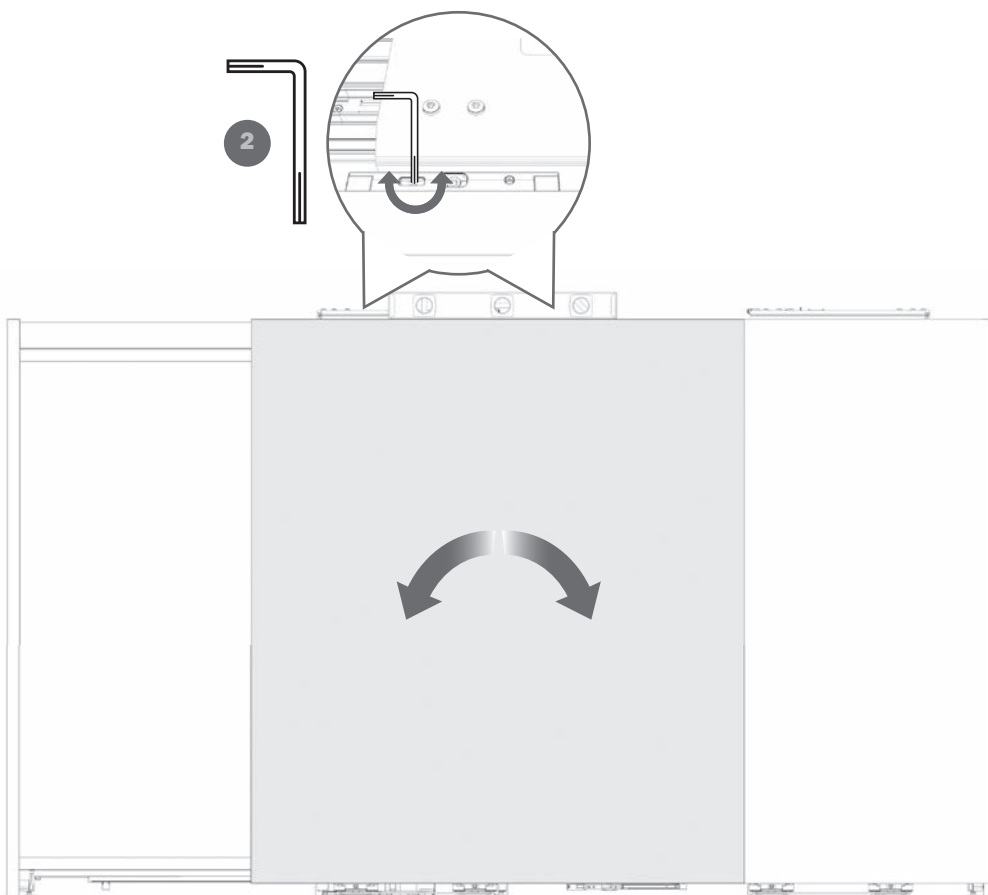
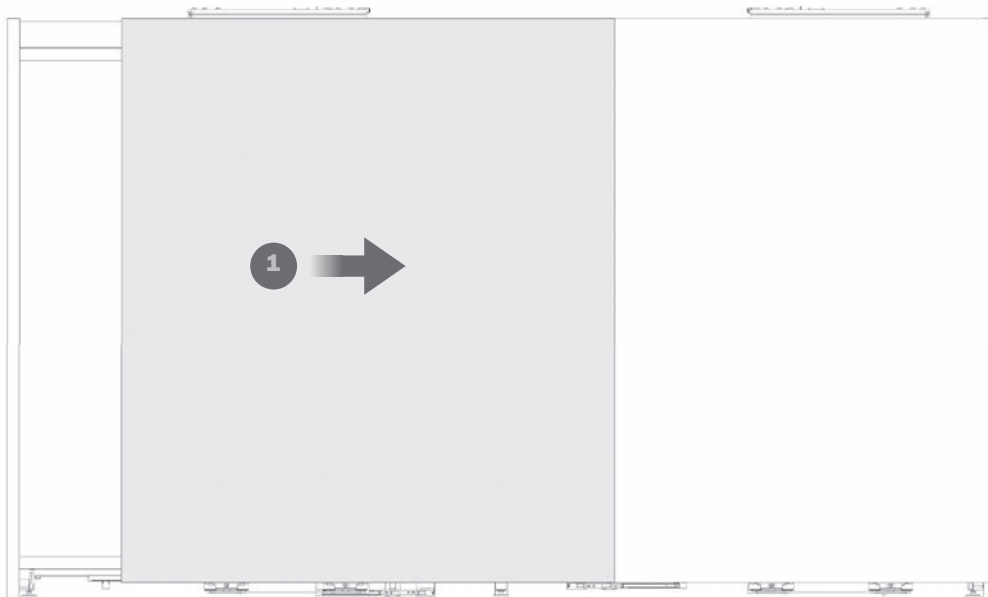
MOUNTING THE LEFT DOOR

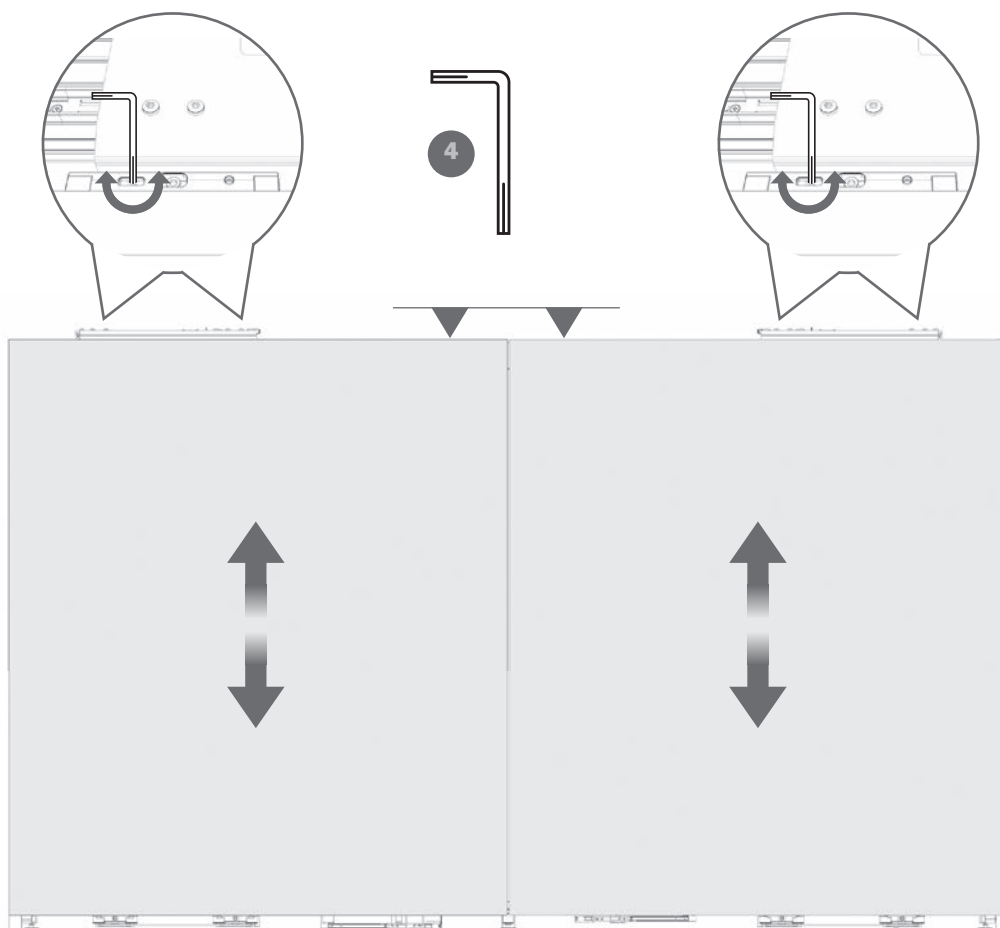
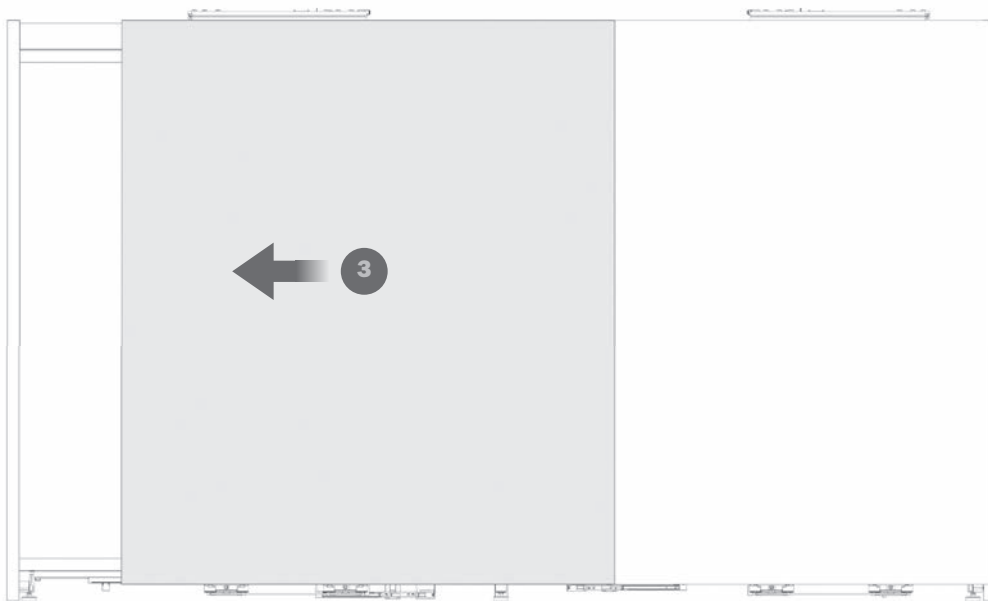
Repeat the steps from 1 to 7.

APPLICATION OF BUMPER

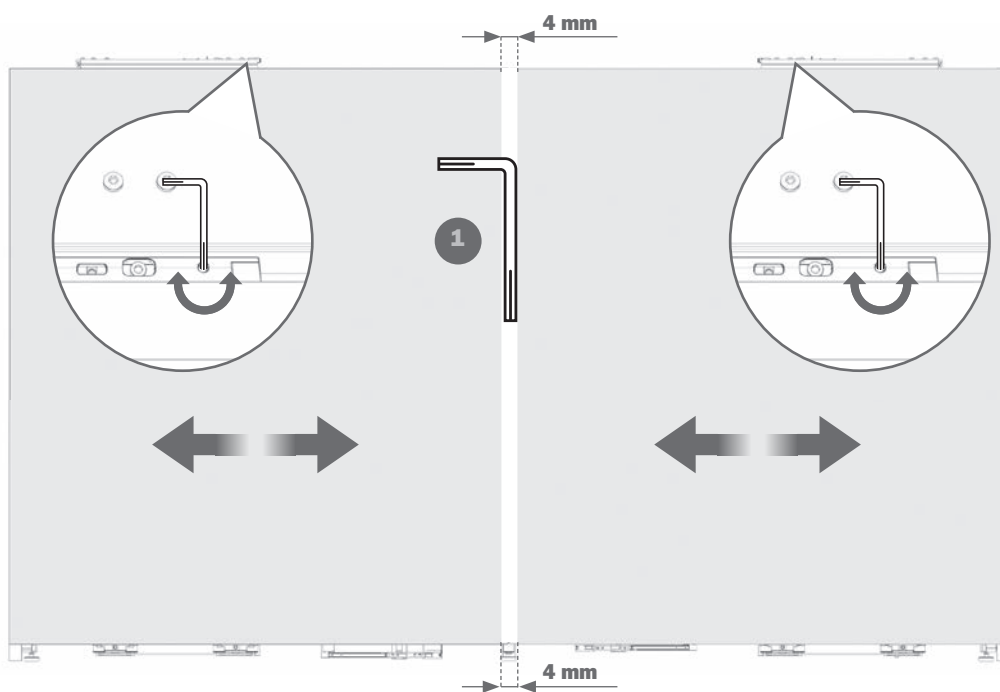


HORIZONTAL ADJUSTMENT AND VERTICAL ADJUSTMENT OF THE DOOR

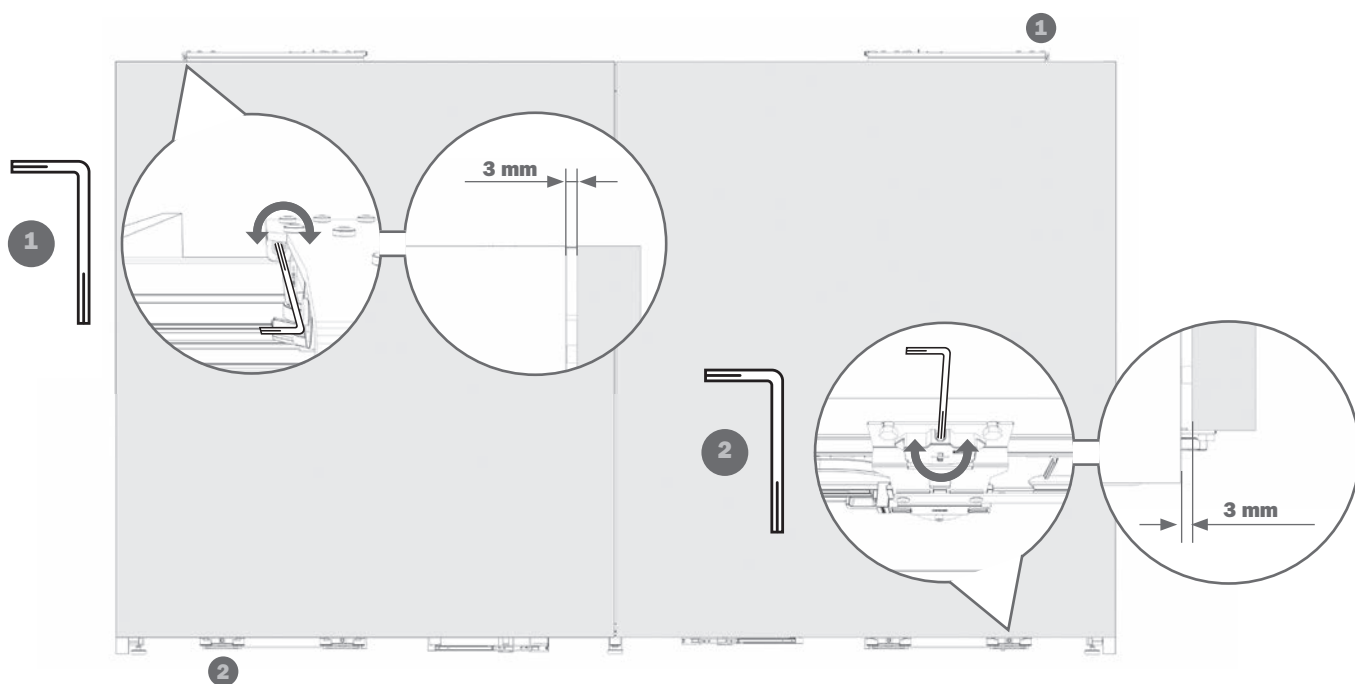




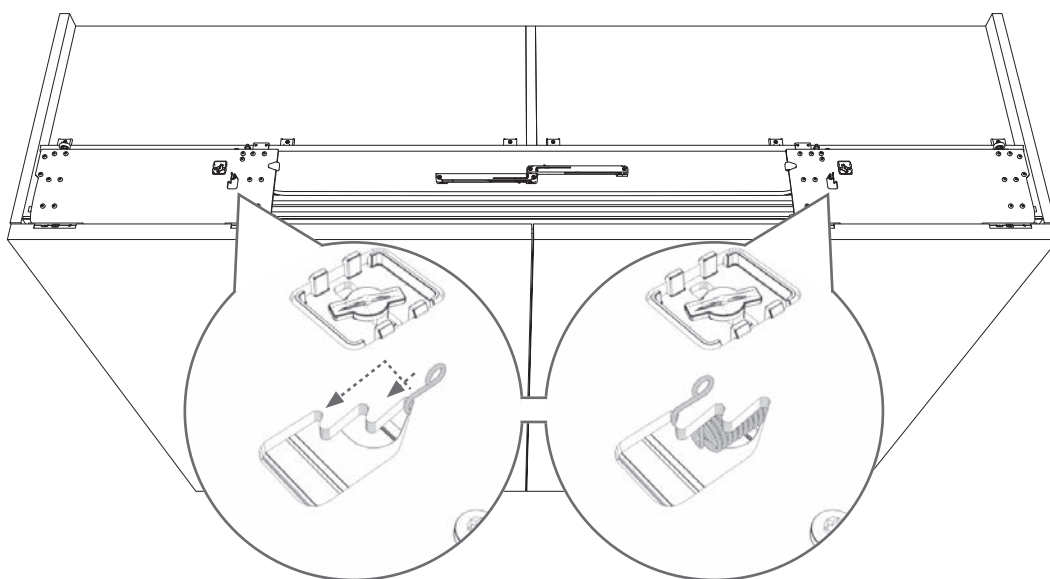
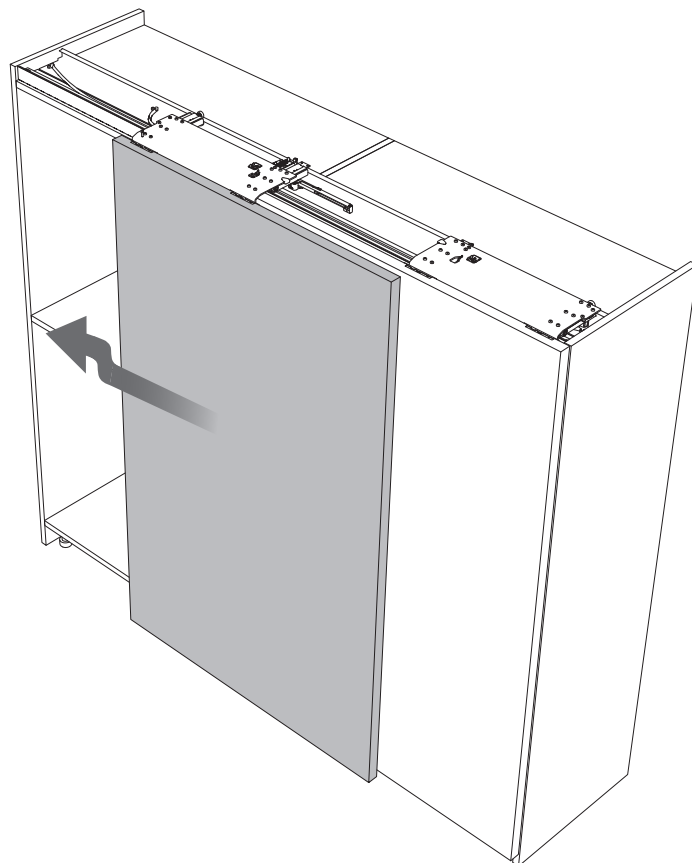
HORIZONTAL ADJUSTMENT OF THE DOOR



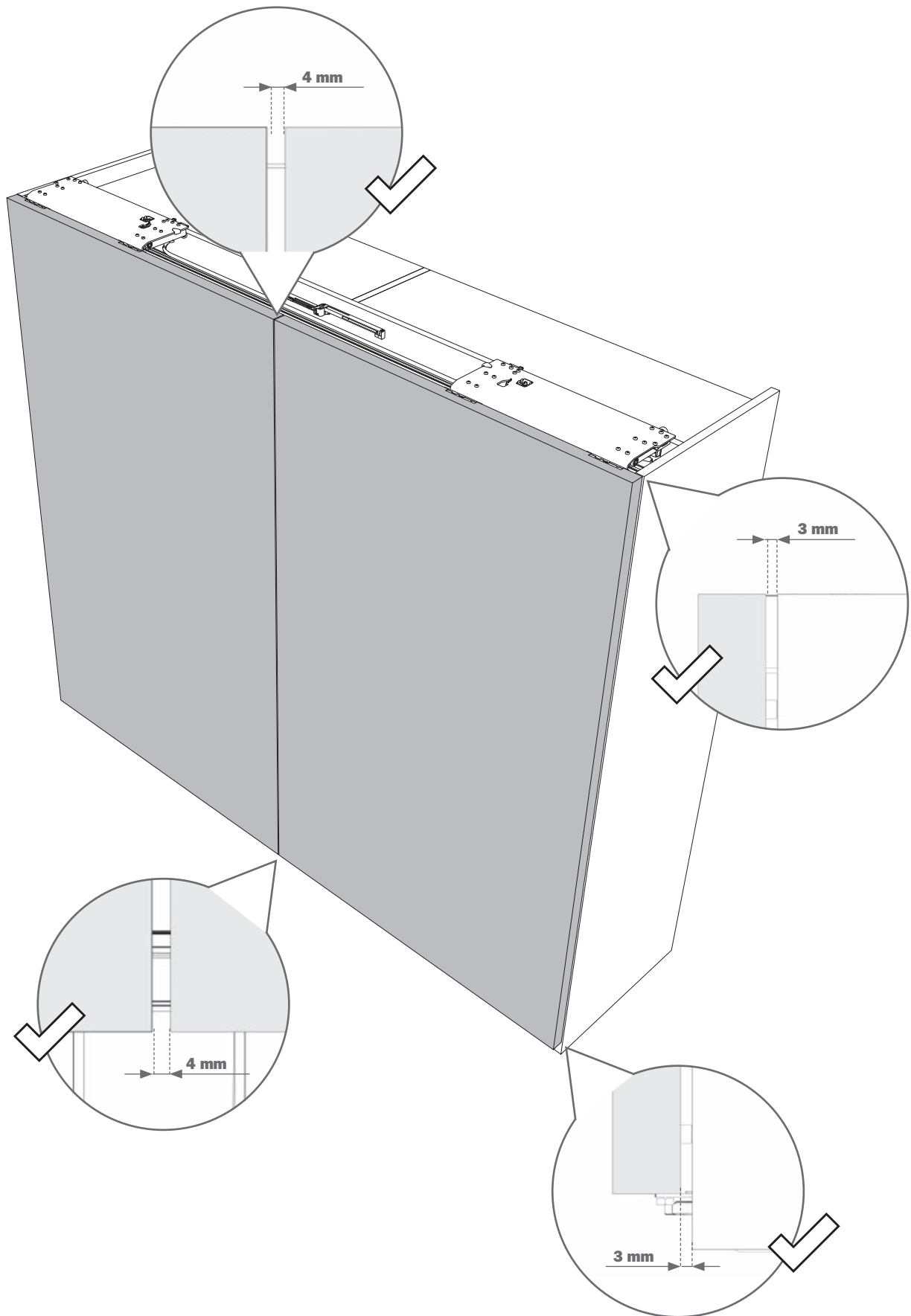
FRONT ADJUSTMENT: TOP AND BOTTOM



ADJUSTMENT OF THE CLOSING SPEED OF THE DOOR

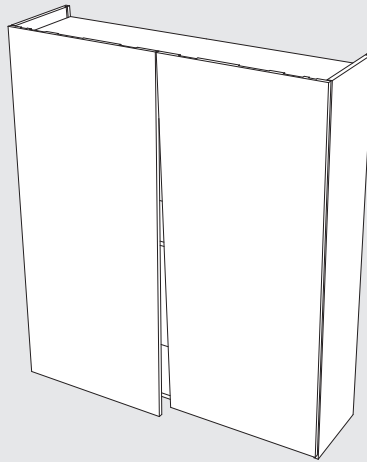


Slider M50+

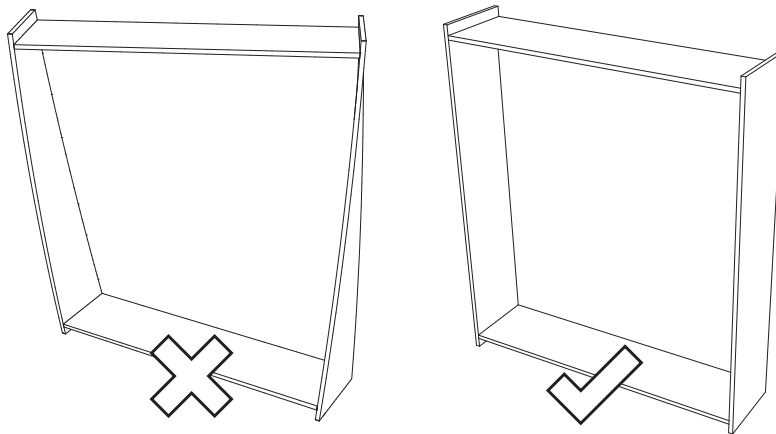


TROUBLESHOOTING

- A** The bottom edge of the door does not sit flush.

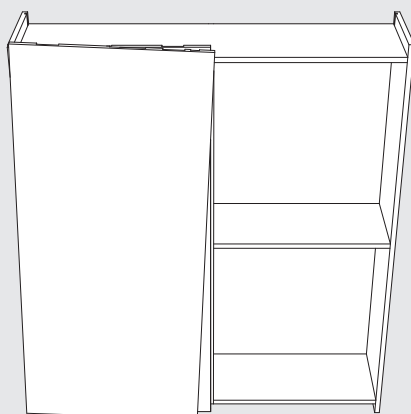


- A1** The cabinet is distorted, adjust the cabinet accordingly.

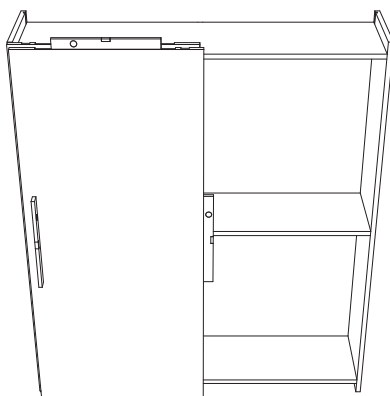


TROUBLESHOOTING

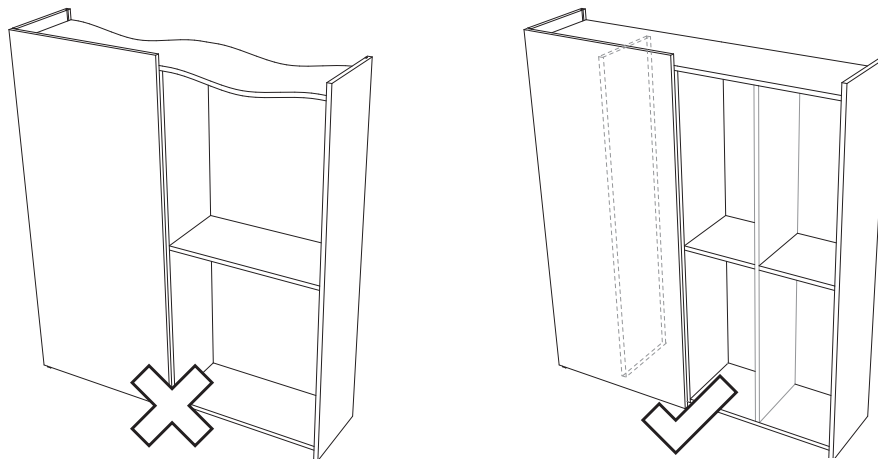
- B** The door in the open position is not aligned vertically.



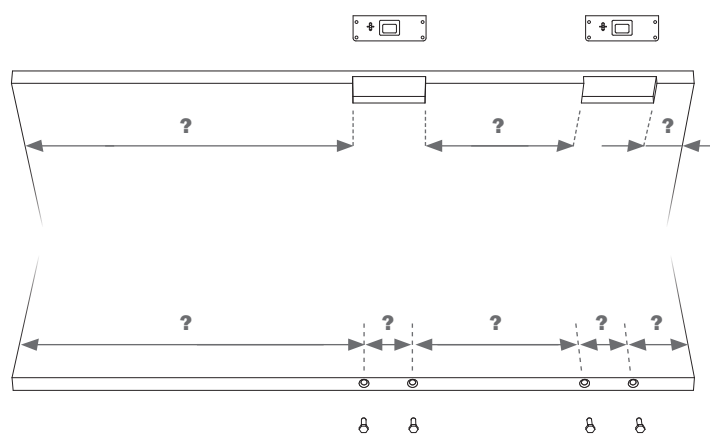
- B1** With the door in the open position check that it is level.



- B2** The upper horizontal cabinet section bows under excessive weight, insert supplementary partition to support the load.

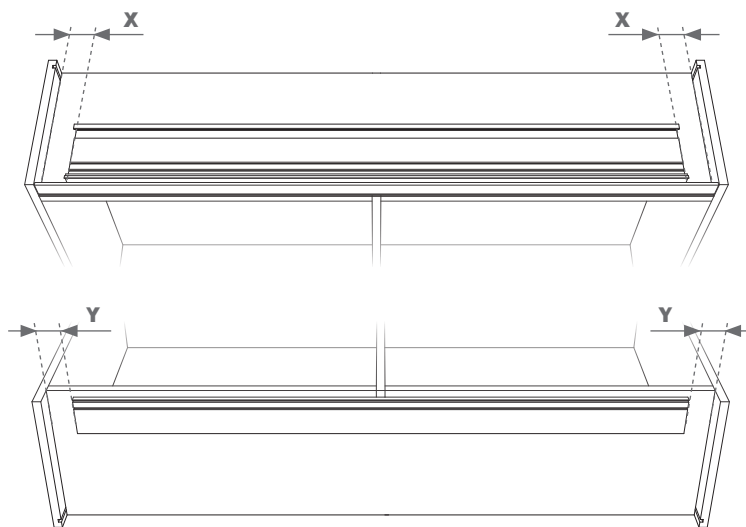


- B3** Check the distances are correct between cabinet workings as per specified drawings.

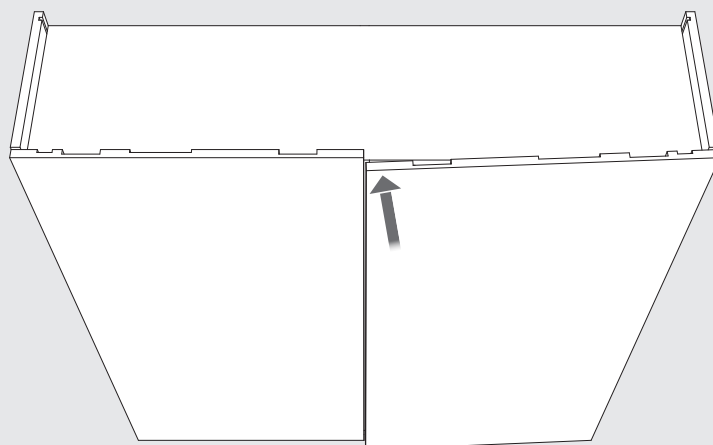


TROUBLESHOOTING

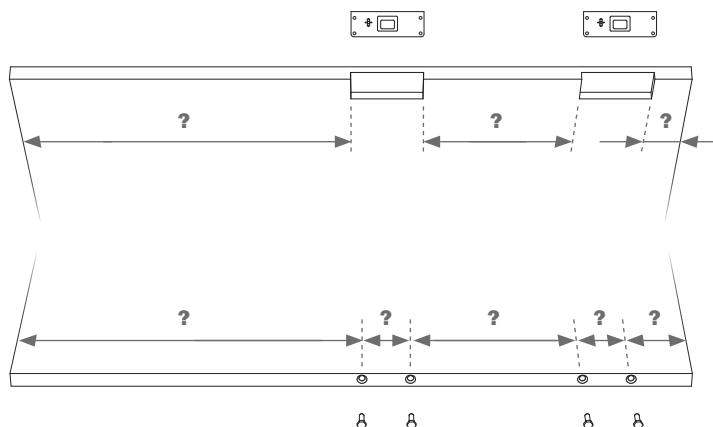
- B4** For standard products, check that the two tracks are centered on the cabinet.



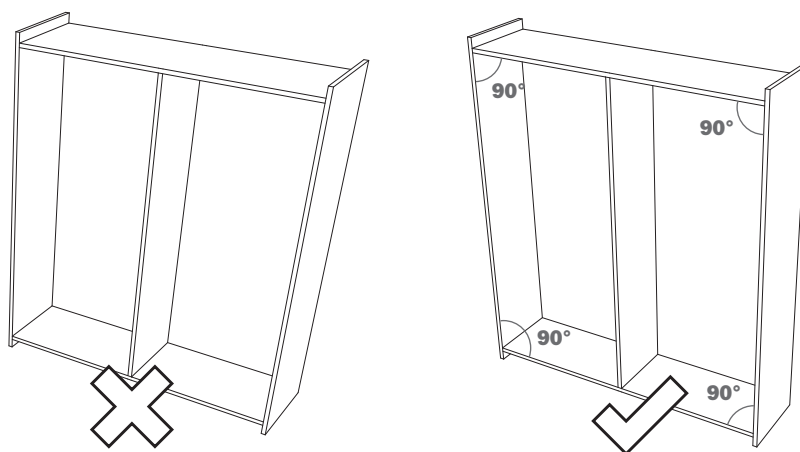
- C** The door does not close by itself, you have to force it.



- C1** Re-check the cabinet workings. In addition check the position of the adjusters at the top and bottom of the door.

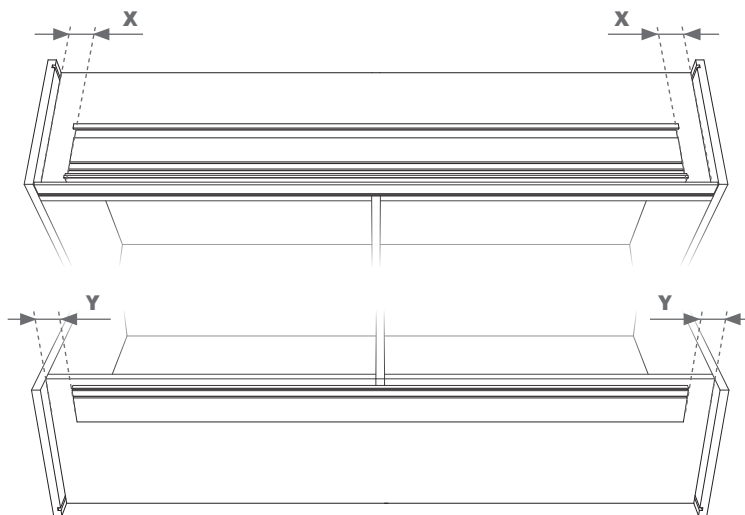


- C2** The cabinet is skewed/twisted may need to be correctly aligned.

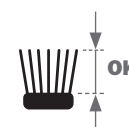
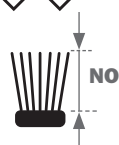
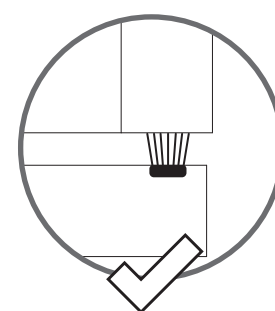
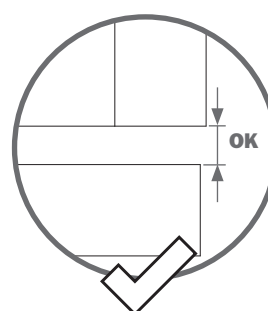
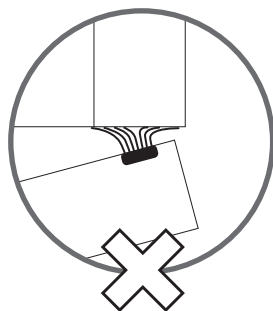
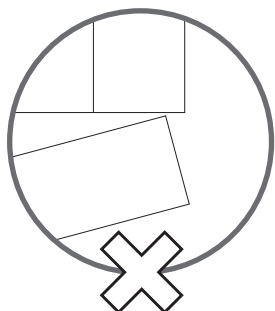
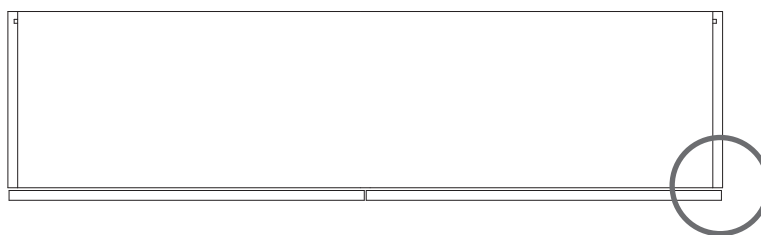


TROUBLESHOOTING

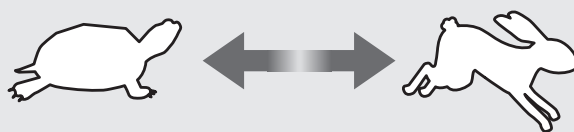
- C3** For standard products, check that the two tracks are centered on the cabine.



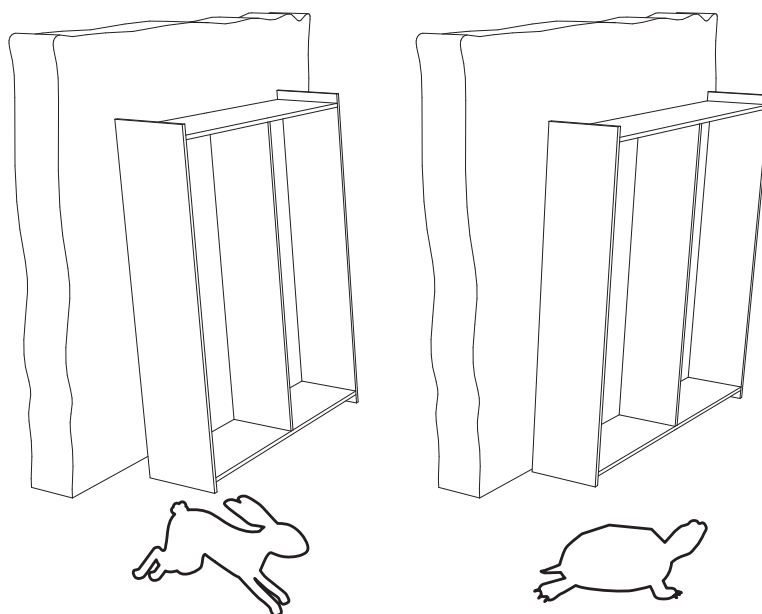
- C4** Check and adjust the distance between the door and the side panel in case the door is too close and touches in the closing phase.



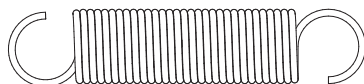
D The door closes too quickly, or too slowly.



D1 Check that the cabinet is level.

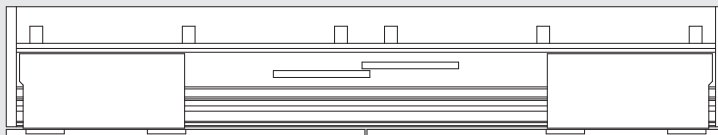


D2 Check the closing spring (see p. 19).

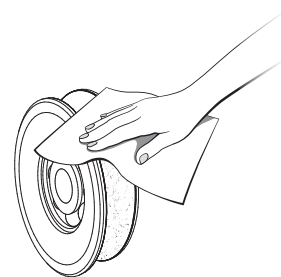


TROUBLESHOOTING

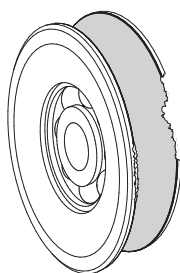
- E** The mechanism is noisy, or does not run smoothly.



- E1** The track and the wheels are dirty. Check and clean with a damp cloth using water and soap. Avoid thinners and aggressive cleaning agents. Make sure that no dirt residues are left on the wheels.



- E2** Possible damage to the rollers, contact your dealer for assistance.



[ENG] CLEANING

The components must be cleaned using a soft cloth with soap and water. Avoid using products containing solvents and abrasive products.

DISPOSAL

The product and its components must not be disposed of in the environment; for disposal, please use public disposal systems.

NOTE

Salice reserves the right to modify any product without prior notice.

ARTURO SALICE S.p.A.

VIA PROVINCIALE NOVEDRATESE, 10
22060 NOVEDRATE (COMO) ITALIA
TEL. 031 790424
FAX 031 791508
info.salice@salice.com
www.salice.com

BORTOLUZZI SISTEMI S.p.A.

VIA CADUTI 14 SETTEMBRE 1944, 45
32100 BELLUNO ITALIA
TEL. 0437 930866
FAX 0437 931442
info@bortoluzzi.com
www.bortoluzzi.com

DEUTSCHE SALICE GMBH

RUDOLF DIESEL STR. 10
POSTFACH 1154
74382 NECKARWESTHEIM
TEL. 07133 9807-0
FAX. 07133 9807-16
info.salice@deutschesalice.de
www.deutschesalice.de

SALICE UK LTD.

KINGFISHER WAY
HINCHINGBROOKE BUSINESS PARK
HUNTINGDON CAMBS PE 29 6FN
TEL. 01480 413831
FAX. 01480 451489
info.salice@saliceuk.co.uk
www.saliceuk.co.uk

DEUTSCHE SALICE GMBH

VERKAUFSBÜRO NORD
RINGSTRASSE 36/A30 CENTER
32584 LÖHNE
TEL. 05731 15608-0
FAX. 05731 15608-10
vknord@deutschesalice.de
www.deutschesalice.de

SALICE AMERICA INC.

2123 CROWN CENTRE DRIVE
CHARLOTTE NC. 28227
TEL. 704 8417810
FAX. 704 8417808
info.salice@saliceamerica.com
www.saliceamerica.com

SALICE FRANCE S.A.R.L.

ROUTE DE GOA ZAC LES 3 MOULINS
06600 ANTIBES
TEL. 0493 330069
FAX. 0493 330141
info.salice@salicefrance.com
www.salicefrance.com

SALICE CANADA INC.

3500 RIDGEWAY DRIVE,
UNIT#1
MISSISSAUGA, ONTARIO, L5L 0B4
TEL. 905 8208787
FAX. 905 8207226
info.salice@salicecanada.com
www.salicecanada.com

SALICE ESPAÑA, S.L.U.

CALLE COPÉRNICO, 11
POLÍGONO INDUSTRIAL
COLL DE LA MANYA
08403 GRANOLLERS (BARCELONA)
TEL. 938 46 88 61
FAX 938 49 11 97
info.salice@saliceespana.es
www.saliceespana.es

SALICE CHINA (SHANGHAI) CO. LTD.

1st FLOOR, B1 BLDG 928 MINGZHU ROAD
XUJING, QINGPU DISTRICT
SHANGHAI 201702 - CHINA
Tel. 021 3988 9880
Fax 021 3988 9882
info.salice@salicechina.com
www.salicechina.com

