



Evolift

SALICE

Index



Flap door

Attachment instructions

page 8

Part number composition and packaging

page 16

Part number composition and packaging - Push

page 18

Charts to select the strength of the system

page 22





EvoLift - Flap door opening system

EvoLift • Flap door opening system





EvoLift • Flap door opening system
Attachment instructions

Drilling pattern for wood door.

Hinges for doors with soft-close and handles

C2P6A99 - screw

C2R6A99 - dowel

Hinges for doors with Push opening

(Push hinges) for a more decisive opening

C2PPA99 - screw

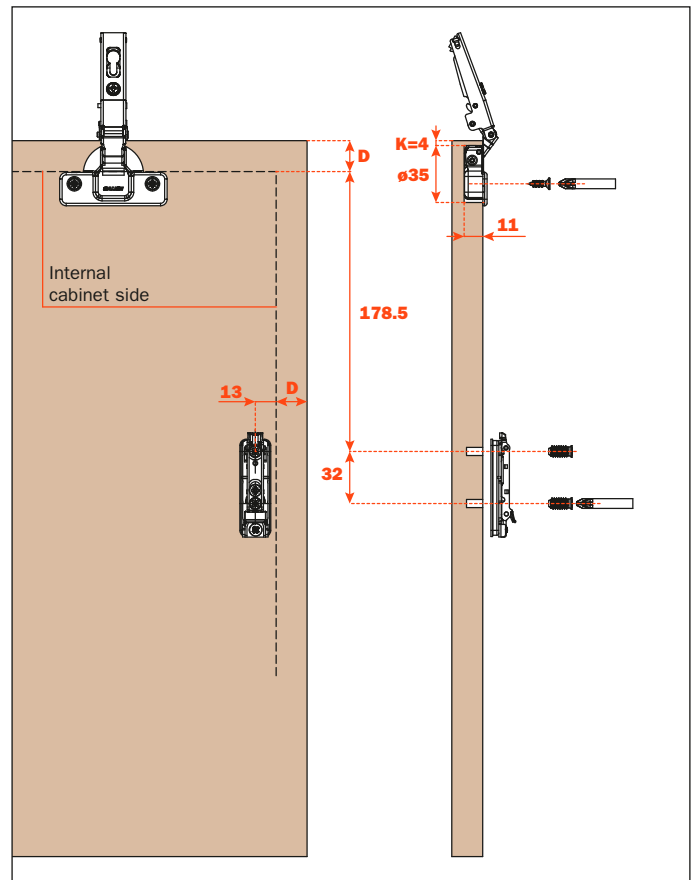
C2RPA99 - dowel

(unsprung hinges) for a softer opening

C2P4A99 - screw

C2R4A99 - dowel

D = side and upper overlay



Drilling pattern for alu-framed door width
min. 17 mm max. 24 mm.

For alu-framed door, attach the mounting plate to the appropriate adapter.

Hinges for doors with soft-close and handles

C2Z6A99 - screw

Hinges for doors with Push opening

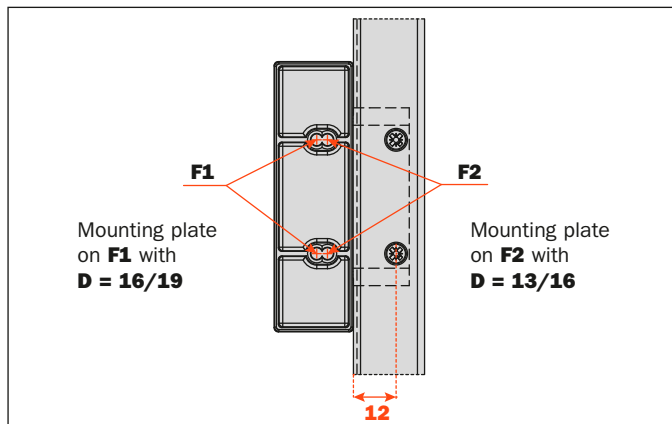
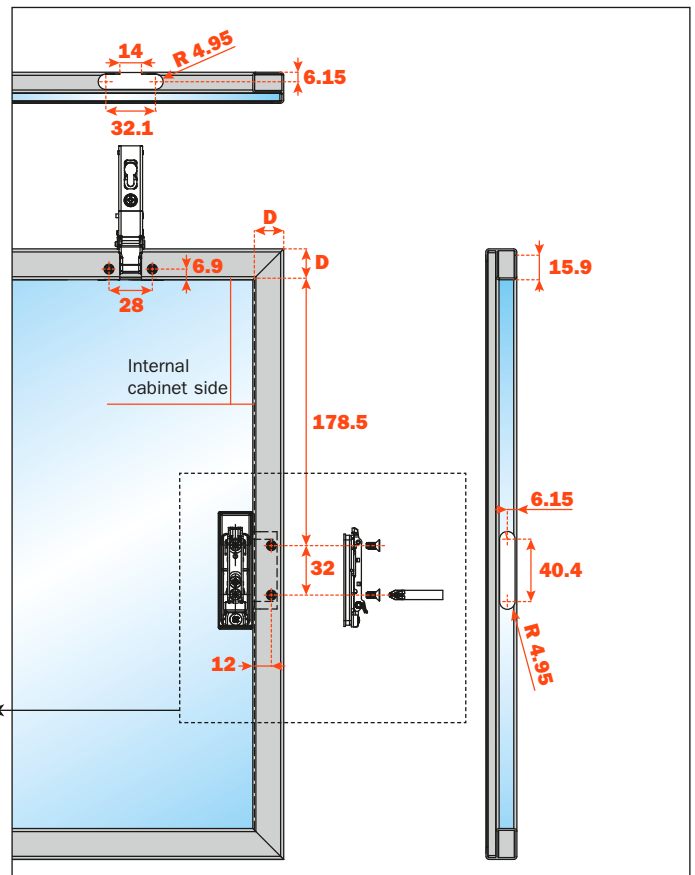
(Push hinges) for a more decisive opening

C2ZPA99 - screw

(unsprung hinges) for a softer opening

C2Z4A99 - screw

D = side and upper overlay





Drilling pattern for alu-framed door width min. 45 mm.

Hinges for doors with soft-close and handles

C2P6A99 - screw

C2R6A99 - dowel

Hinges for doors with Push opening

(Push hinges) for a more decisive opening

C2PPA99 - screw

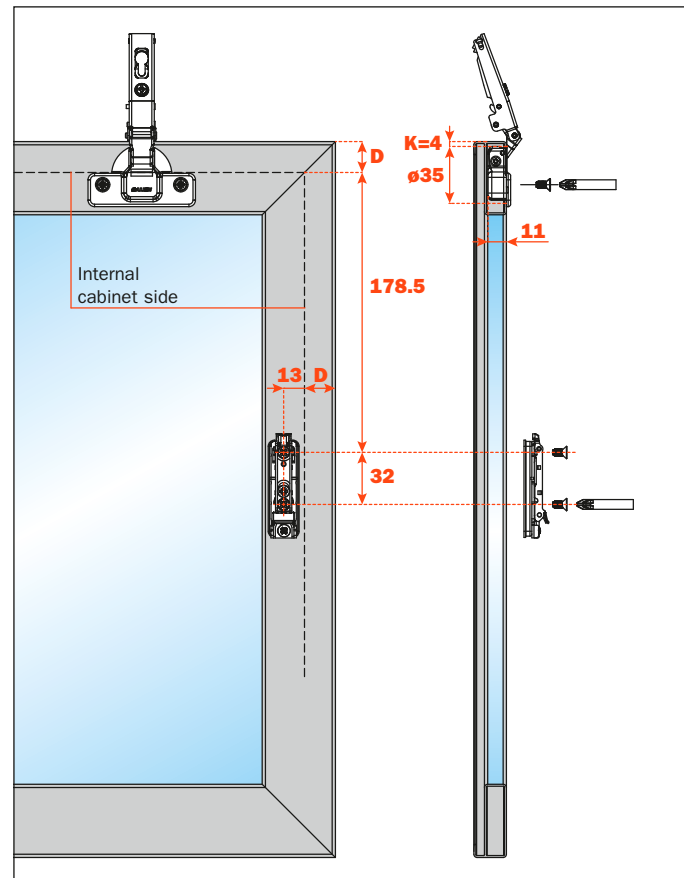
C2RPA99 - dowel

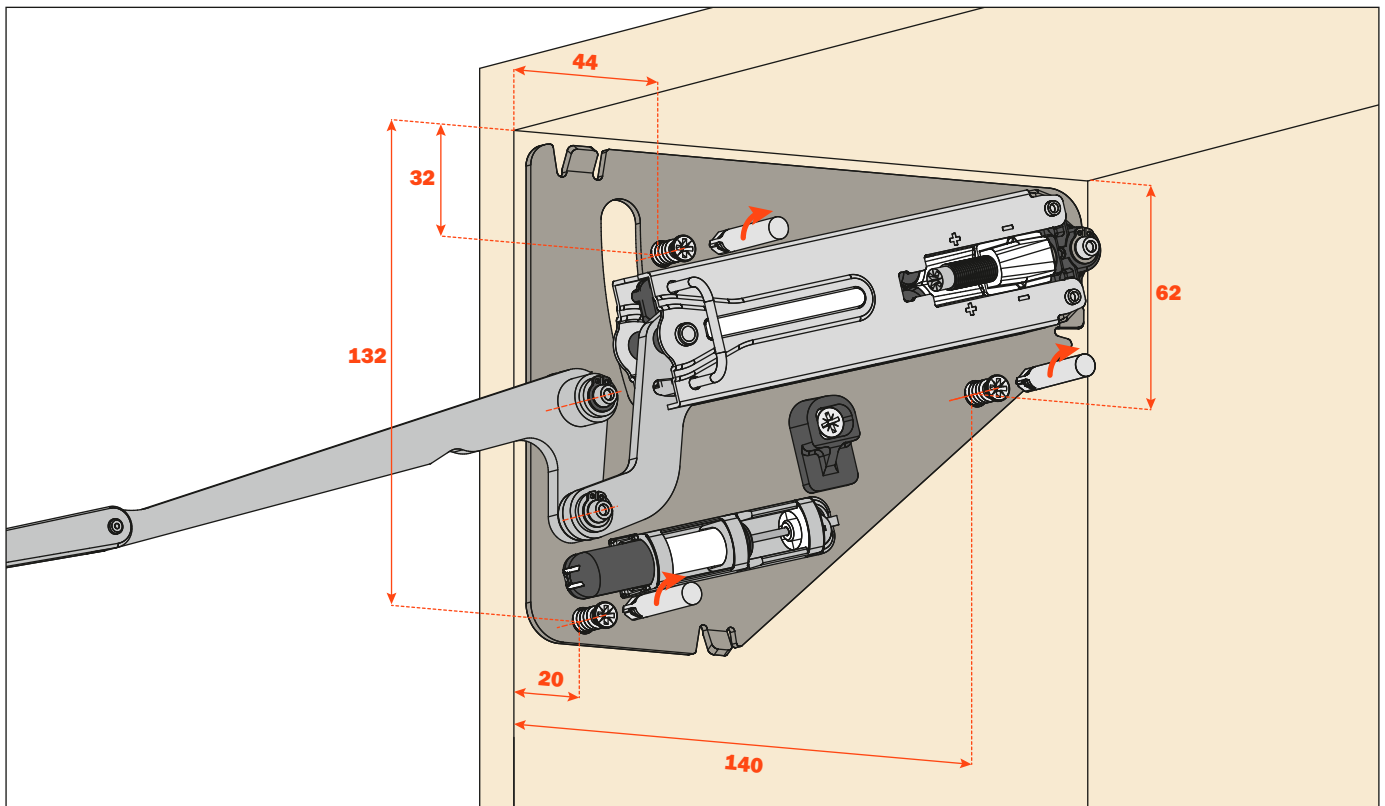
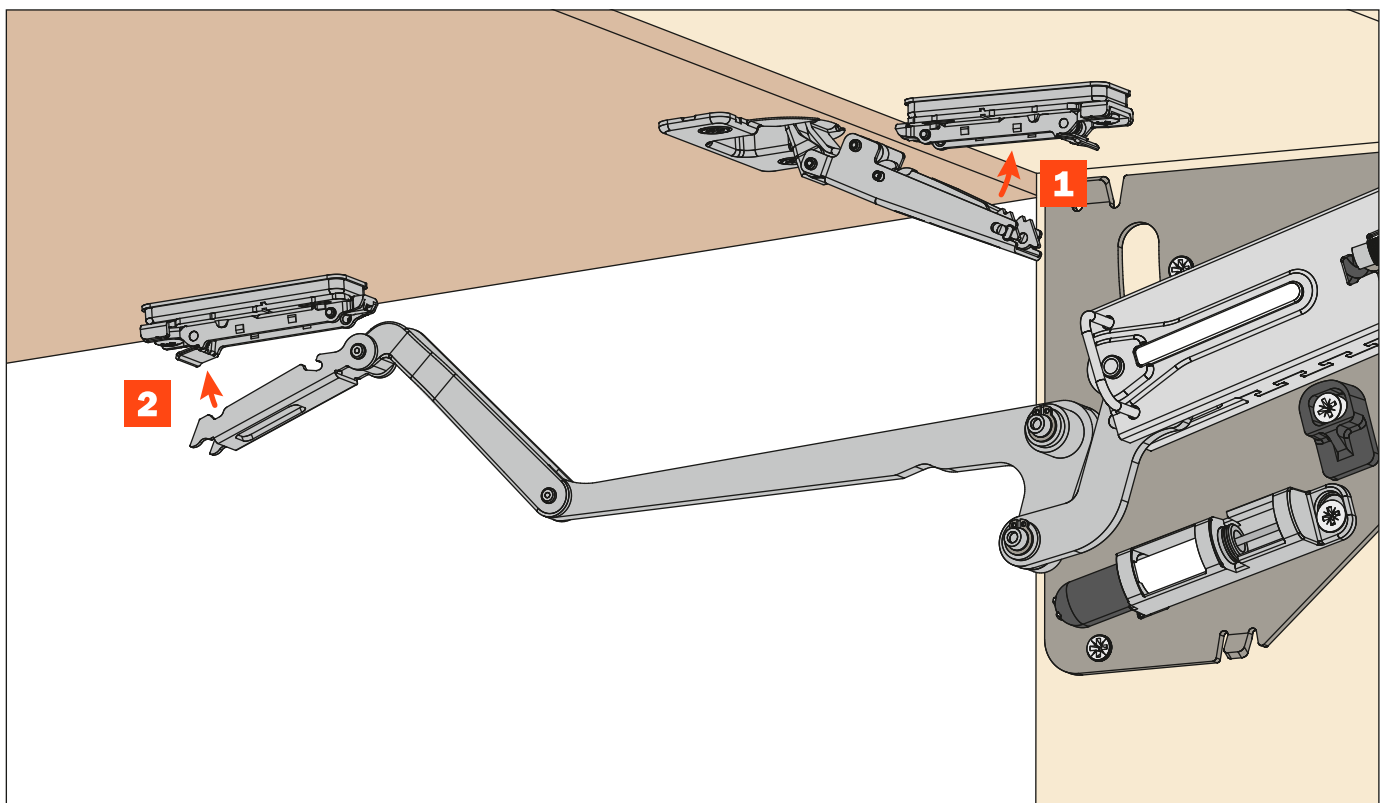
(unsprung hinges) for a softer opening

C2P4A99 - screw

C2R4A99 - dowel

D = side and upper overlay

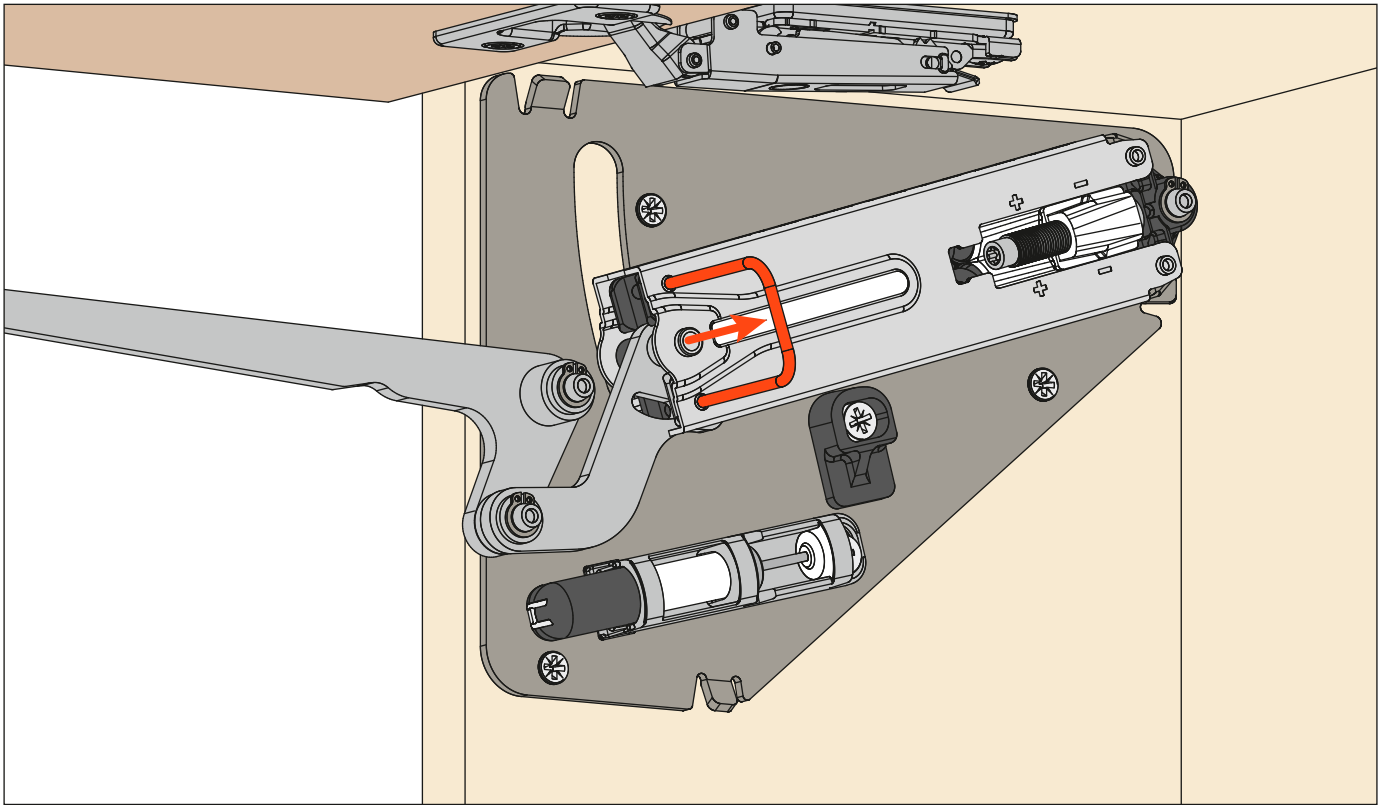


**EvoLift • Flap door opening system
Attachment instructions****Attaching the system to the cabinet side.**Drilling depth 12 mm - Hole diameter \varnothing 5 mm**Attaching the door to the cabinet.**



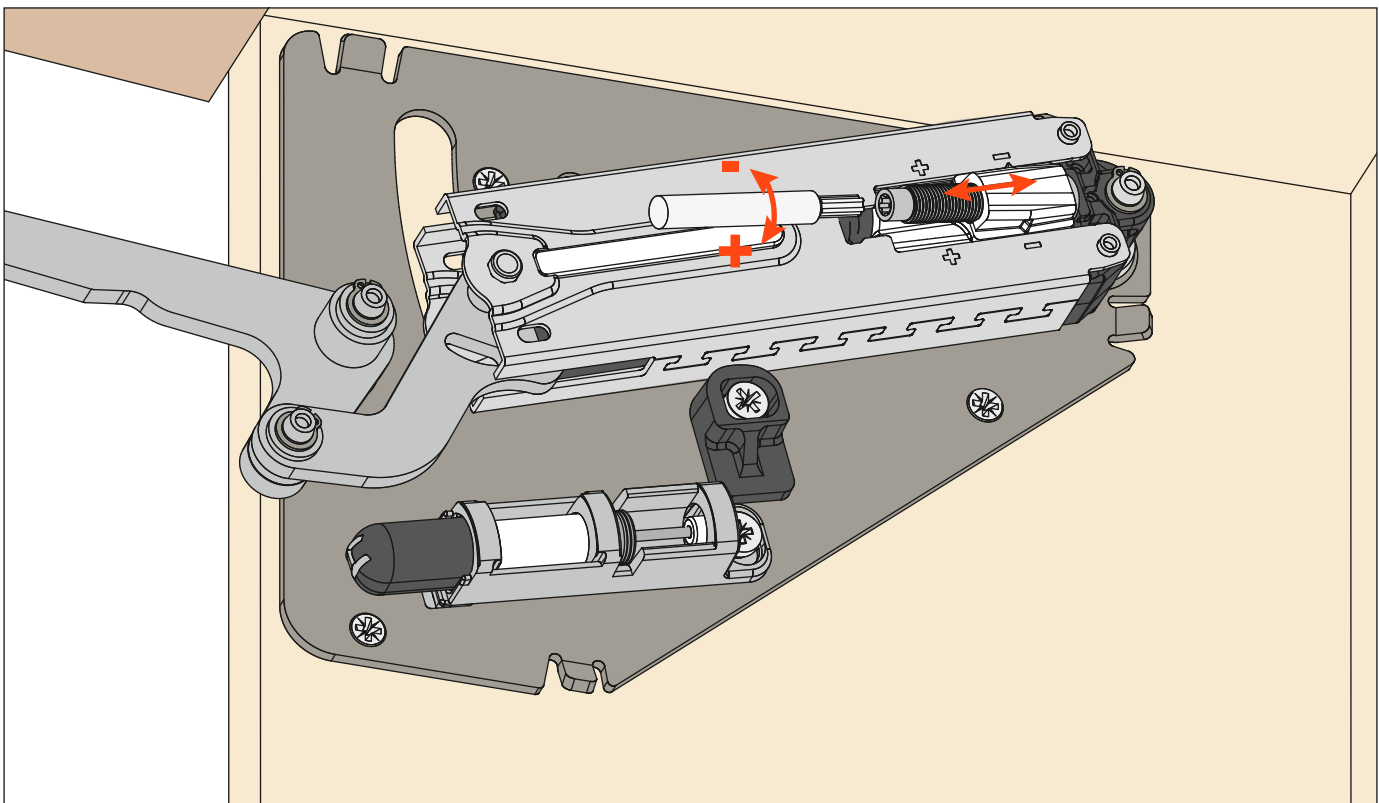
Removing the safety clip.

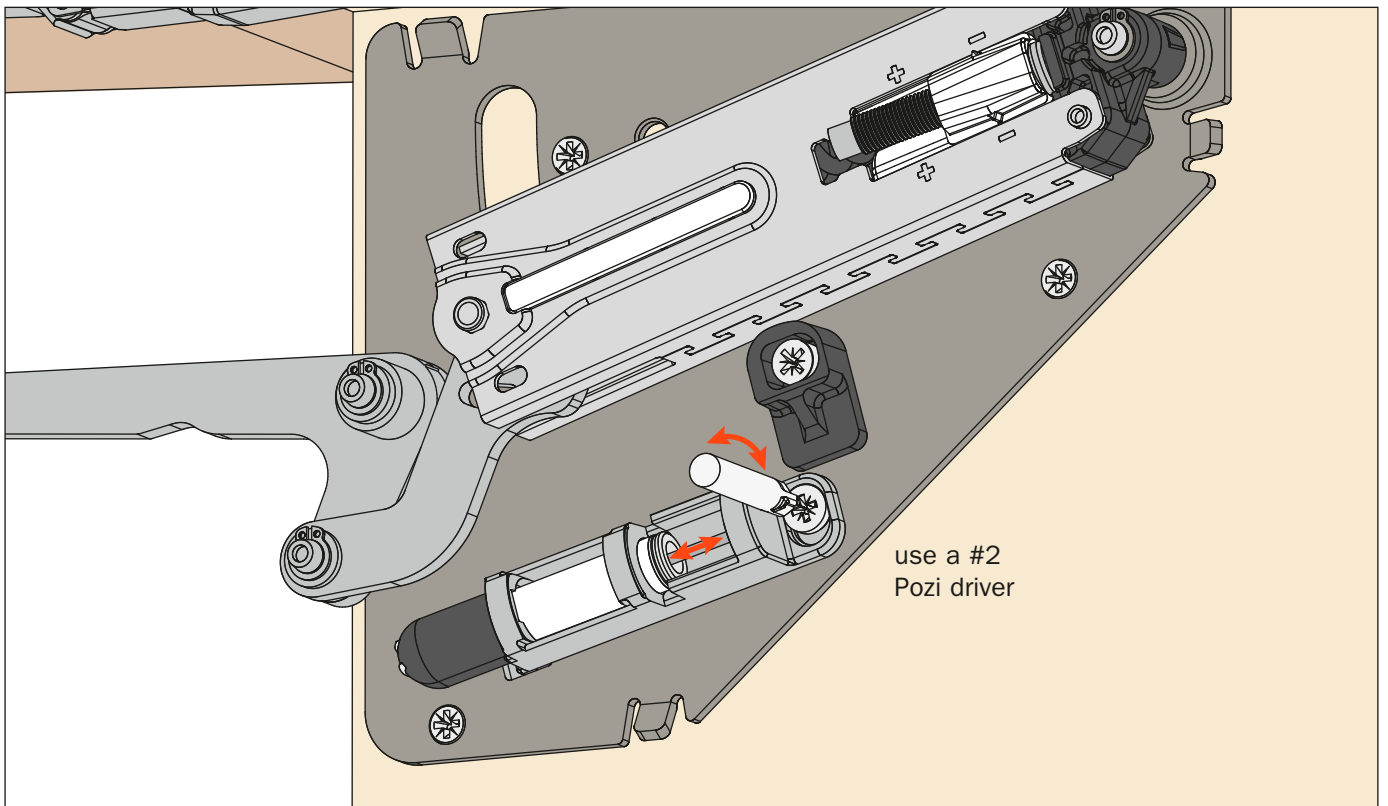
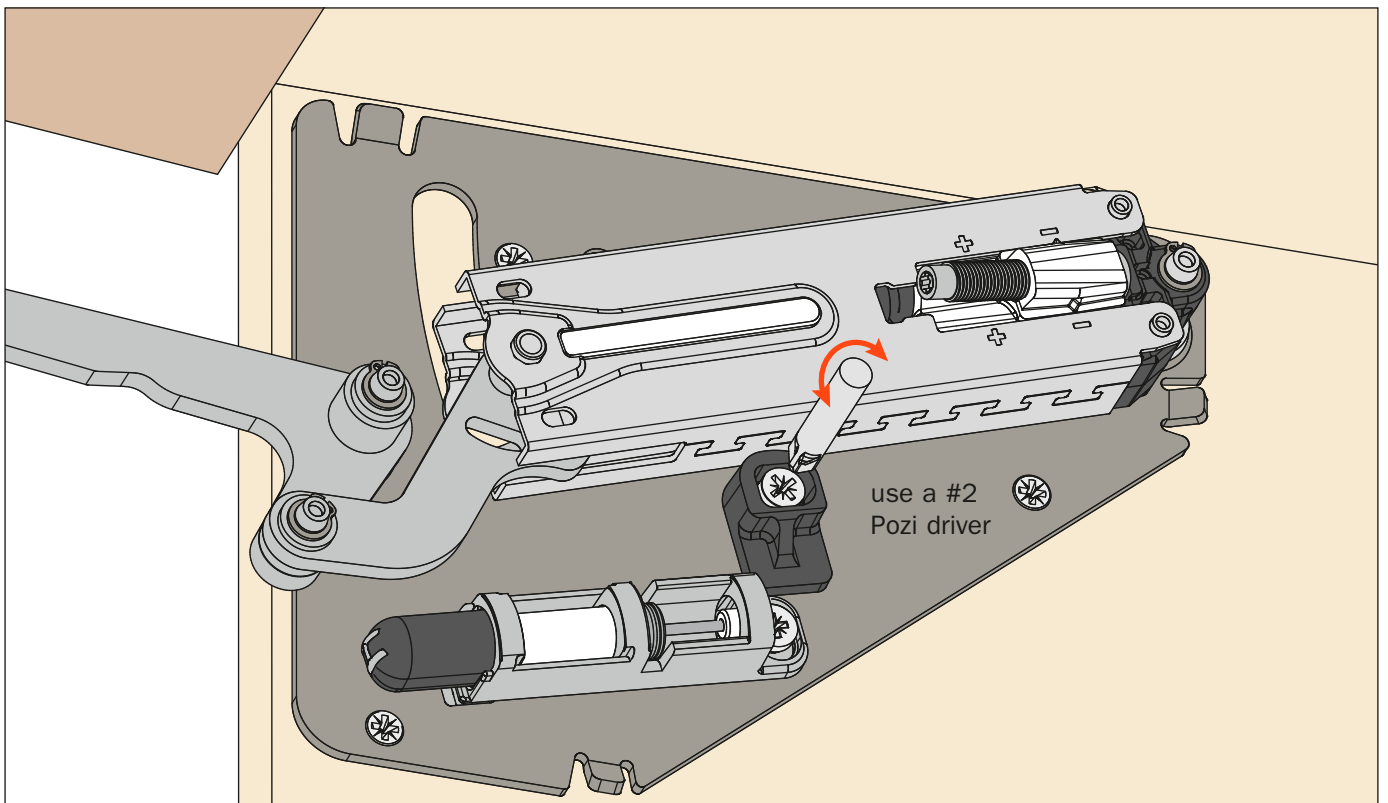
Lower the door slightly until the safety clip can be easily removed.



Adjustment of the system strength.

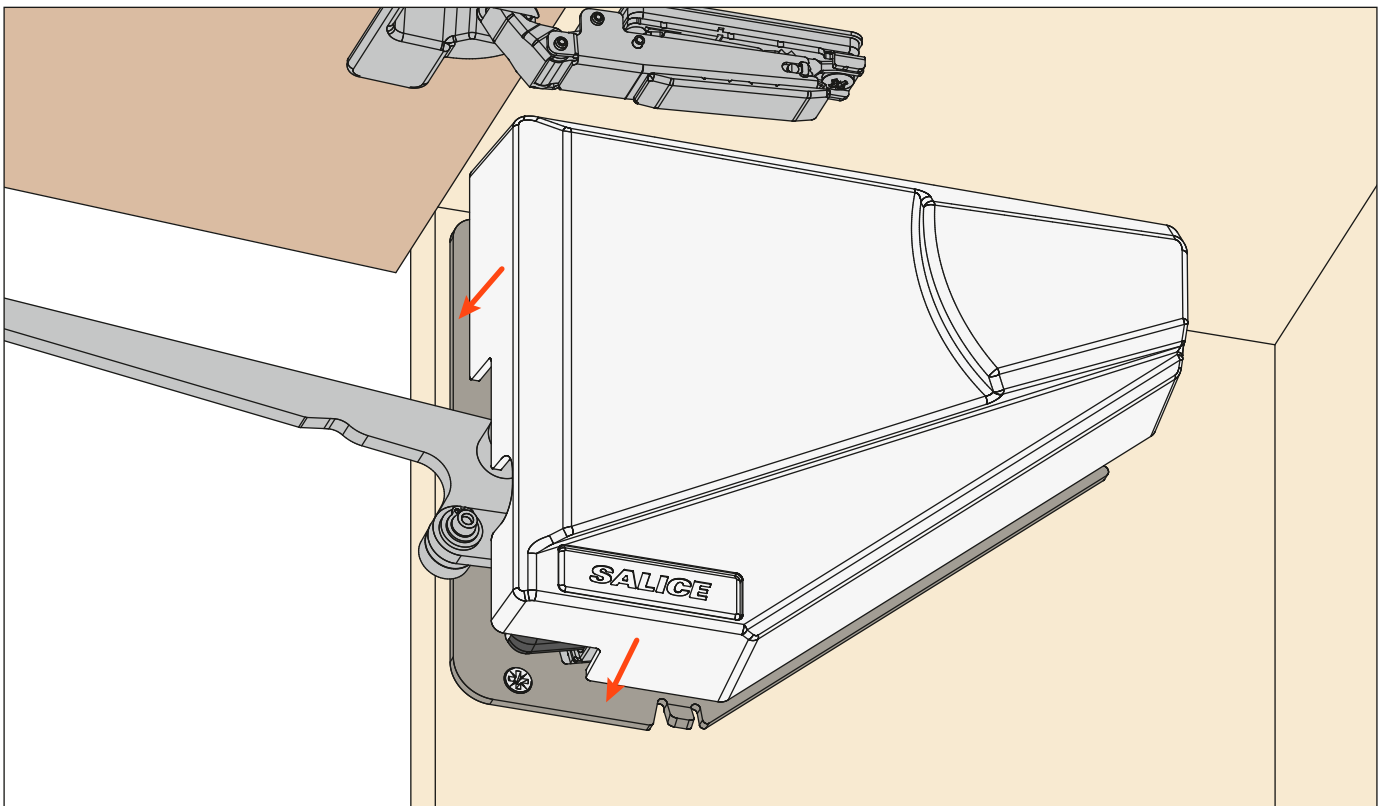
Use a Torx bit T20.



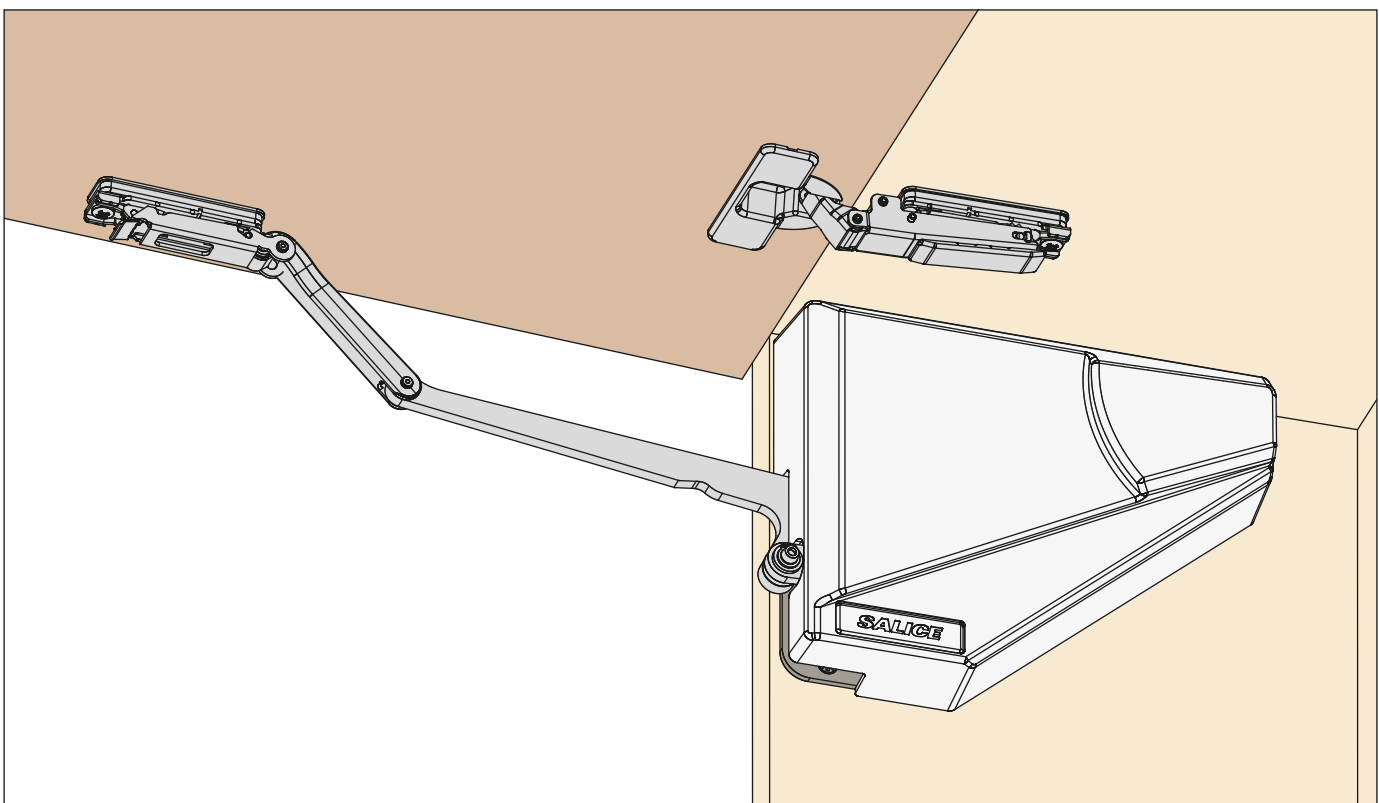
**EvoLift • Flap door opening system
Attachment instructions****Adjustment of the soft close.****Adjustment of the opening angle of the door, by cam, from 80° to 92°.**

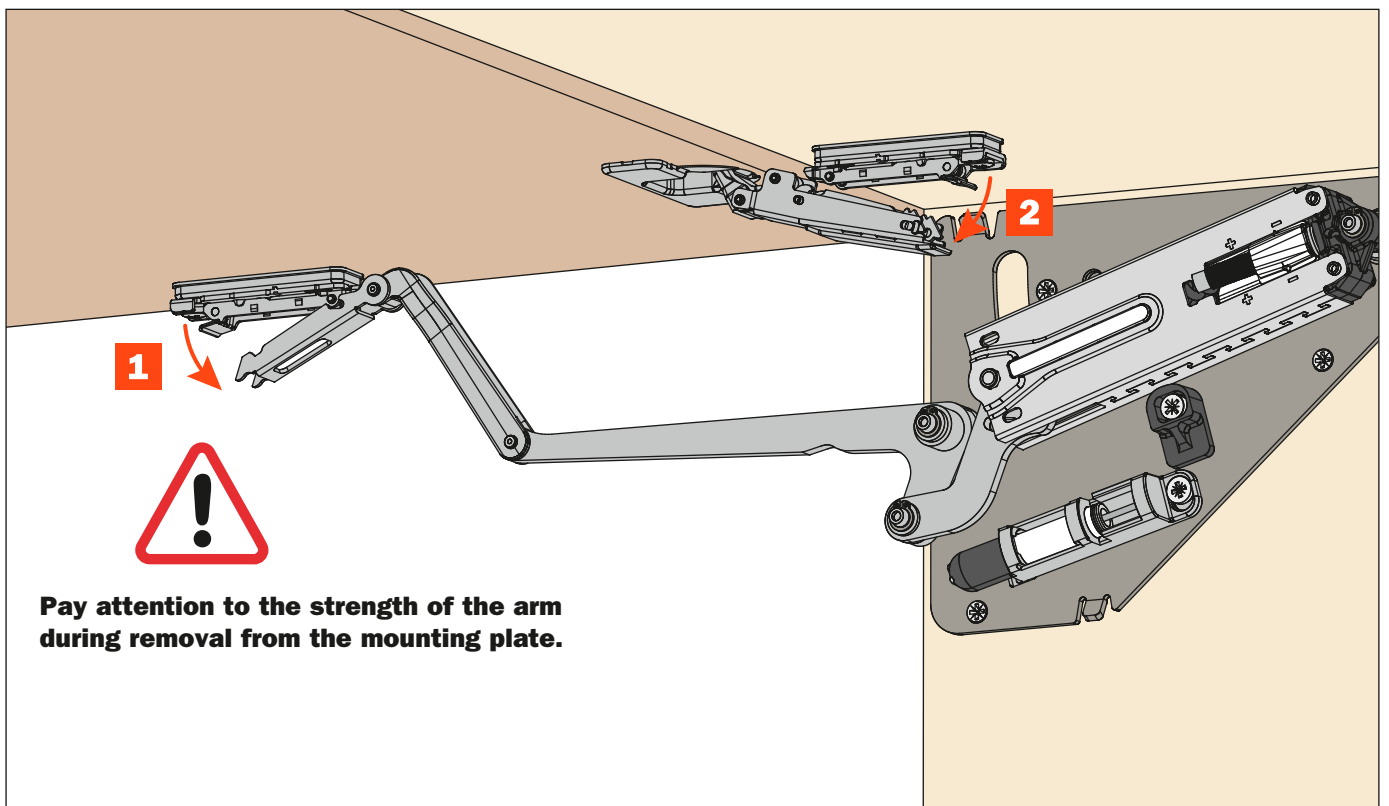


Installing the cover.



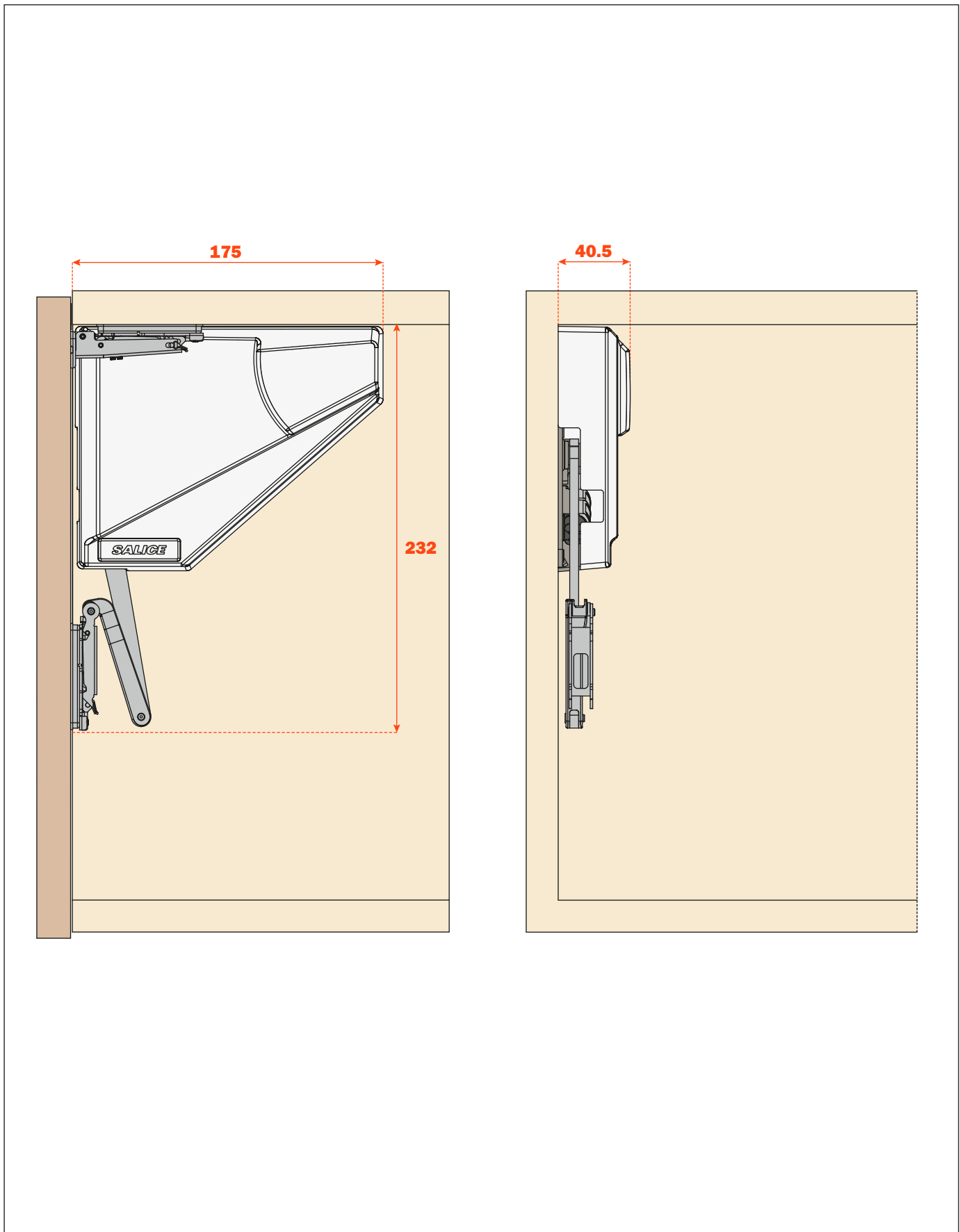
View of the mounted system.



EvoLift • Flap door opening system**Removal of the door.**



Dimensions of the system.



EvoLift • Flap door opening system
Part number composition and packaging

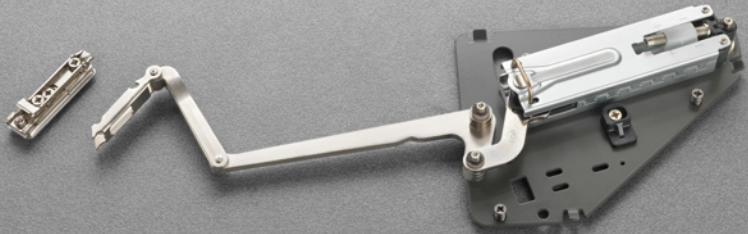



DOOR-SET Packaging	
SOFT CLOSE	COVER
FRMFXXX_SN9_	SR_M78A_SNXXF
<p>System strength: D = weak F = strong</p>	<p>Cabinet side: D = right S = left</p> <p>Colour: Q = white L = titanium</p>
CARTON	CARTON
1 System · 1 Mounting plate BAPGM39/16 · Attachment instructions and template for cabinet side drilling · Attaching screws included	1 Cover · 1 Cover cap
PALLET	PALLET
192 pcs.	192 pcs.






Components to be ordered separately			
Hinge for wood doors or for alu-framed doors 45 mm	Hinge for alu-framed doors min. 17 mm max. 24 mm	Mounting plate for hinges	Mounting plate adapter for alu-framed doors min. 17 mm max. 24 mm
C2P6A99 screw C2R6A99 dowel	C2Z6A99	BAPGM39/16	DLZXBH9 Screws to attach the mounting plate to the support included
Packaging Boxes with 300 pcs.	Packaging Boxes with 150 pcs.	Packaging Boxes with 300 pcs.	Packaging Boxes with 150 pcs.



**EvoLift - Flap door opening system
with Push opening**

EvoLift • Flap door opening system with Push opening
Part number composition and packaging

DOOR-SET Packaging	
	
	
PUSH OPENING	COVER
<p>FRMFXXPDSN9_</p> <p>System strength: D = weak</p> <p>Cabinet side: D = right S = left</p>	<p>SR_M78A_SNXXF</p> <p>Cabinet side: D = right S = left</p> <p>Colour: Q = white L = titanium</p>
<p>CARTON</p> <p>1 System 1 Mounting plate BAPGM39/16 Attachment instructions and template for cabinet side drilling Attaching screws included</p>	<p>CARTON</p> <p>1 Cover 1 Cover cap</p>
<p>PALLET</p> <p>192 pcs.</p>	<p>PALLET</p> <p>192 pcs.</p>

Components to be ordered separately				
				
Hinge for wood doors or for alu-framed doors 45 mm	Hinge for alu-framed doors min. 17 mm max. 24 mm	Mounting plate for hinges	Mounting plate adapter for alu-framed doors min. 17 mm max. 24 mm	Push
<p>C2PPA99 screw</p> <p>C2RPA99 dowel</p>	<p>C2ZPA99</p>	<p>BAPGM39/16</p>	<p>DLZXBH9 Screws to attach the mounting plate to the support included</p>	<p>To choose the Push and the retaining catch see page 20</p>
<p>Packaging</p> <p>Boxes with 300 pcs.</p>	<p>Packaging</p> <p>Boxes with 150 pcs.</p>	<p>Packaging</p> <p>Boxes with 300 pcs.</p>	<p>Packaging</p> <p>Boxes with 150 pcs.</p>	



Magnetic Push

EvoLift • Flap door opening system
Magnetic Push - Recessed magnetic release device and retaining catches

DPMSNB - beige

Magnetic catch
 ø 10 mm, 40 mm length.



DPASNB - beige

Optional supplementary magnetic catch to increase the holding strength. It must always be used together with the DPM.
 The suggested position of the DPM is the point of pressure on the door. The DPA can be positioned at any point along the opening edge of the door.
 ø 10 mm, 40 mm length.



DPMSNG - grey



Packaging
 Boxes 250 pcs.
 Cartons 1.500 pcs.

DPASNG - grey



Packaging
 Boxes 250 pcs.
 Cartons 1.500 pcs.

DP39XXG

Adjustable magnetic retaining catch.
 ø16.6 mm



Packaging • Boxes 250 pcs.

DP28SN9

Pin-attach striker for magnetic catches.
 ø 11.5 mm.



Packaging • Boxes 250 pcs.

DP38XX91

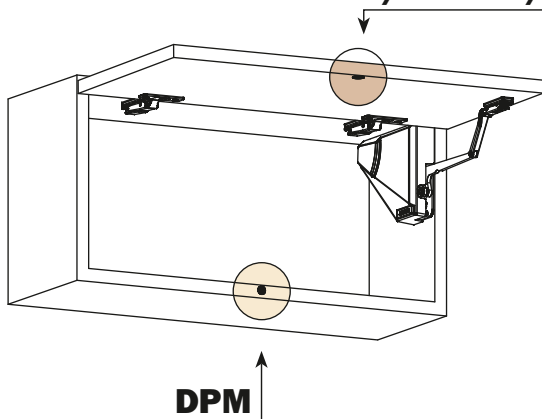
Self-adhesive striker for magnetic catches.
 20x14 mm.



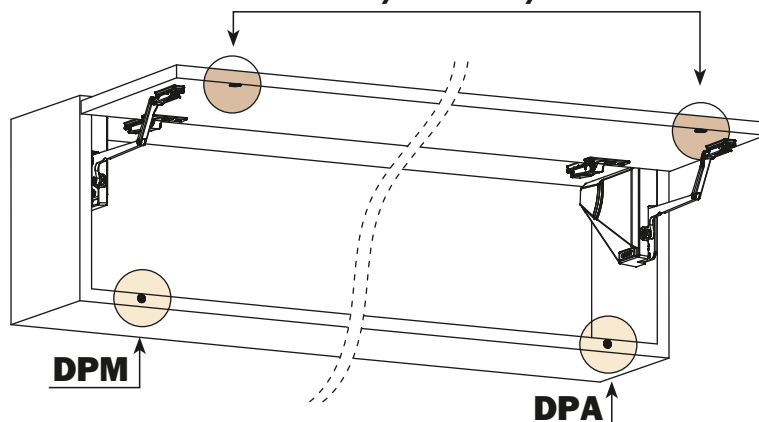
Packaging • Boxes 250 pcs.

The Push self-opening system is recommended for doors up to a max. 400 mm in height.

DP39 / DP28 / DP38



DP39 / DP28 / DP38

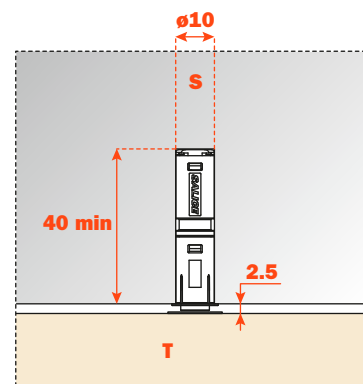


Release device application

Application of the standard magnetic catch.

Drill a hole \varnothing 10 mm and min. 40 mm depth in the top, the side or the base panel of the cabinet.

Insert the release device into the hole.

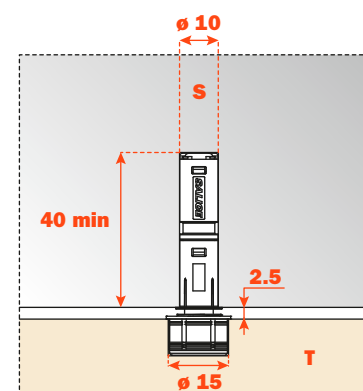


Inserted adjustable magnetic catch.

The retaining catch DP39 is itself magnetic and together with the magnetism of the release device DPM considerably increase (30%) the holding strength of the door against the cabinet side, thus avoiding accidental openings.

For the installation it is necessary to drill a hole \varnothing 15 mm and 11 mm depth in the door.

Depth adjustment from -0.5 mm to +2.5 mm.



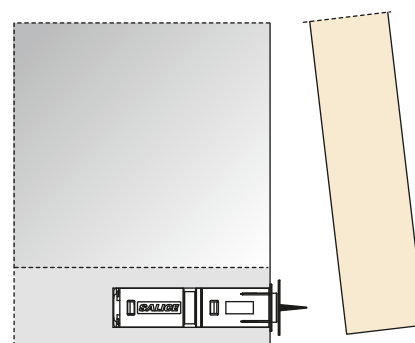
Pin-attach striker.

Apply the retaining catch to the magnetic release device.

Close the door.

The point of the retaining catch will show where to insert it.

Reopen the door and drive in the pin to attach in position.



Self-adhesive striker.

Apply the retaining catch to the magnetic release device. Remove the protective strip from the adhesive. Close the door. In this way the retaining catch is positioned on the door. Reopen the door and apply a firm pressure to the retaining catch to ensure a correct installation.

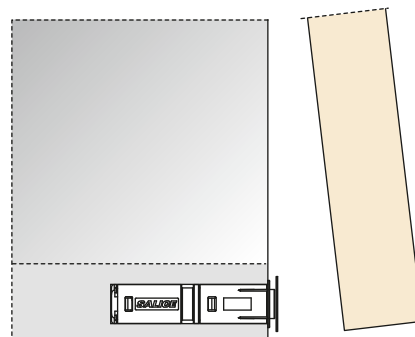
ATTENTION:

For a correct application and to ensure optimal endurance, we suggest these guidelines are followed:

- 1 - clean and degrease the door surface where the retaining catch is to be installed;
- 2 - remove the protective strip from the adhesive;
- 3 - place the retaining catch in position, in a place that is at room temperature $\geq 10^\circ$ and apply a firm pressure for 10-15 seconds.

After few seconds from the installation the retaining catch is suitable for the use.

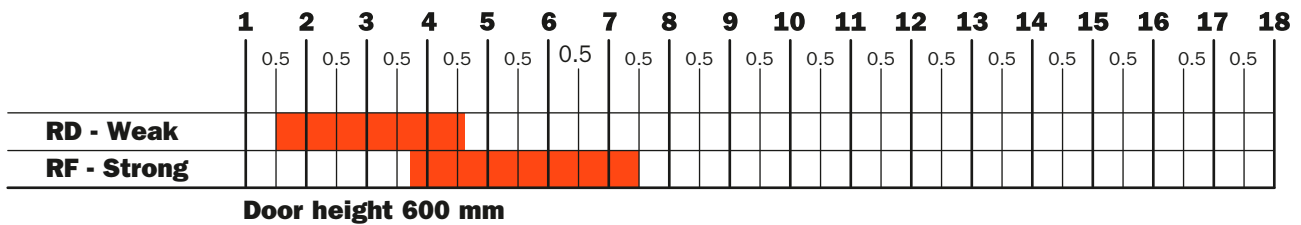
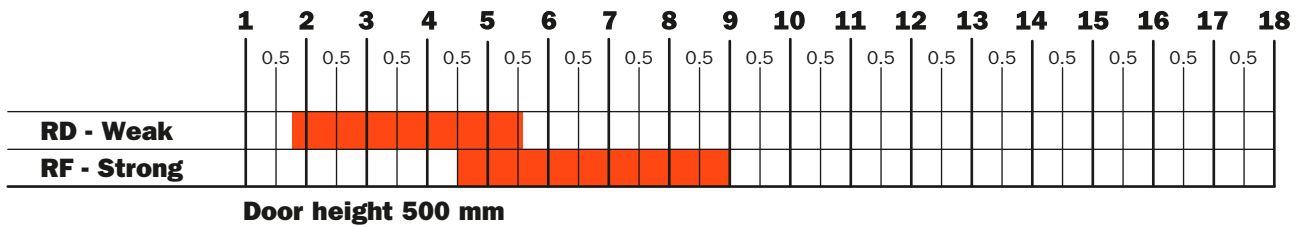
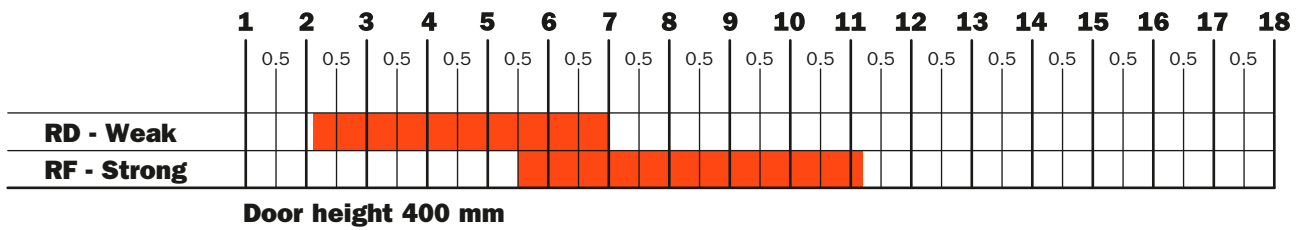
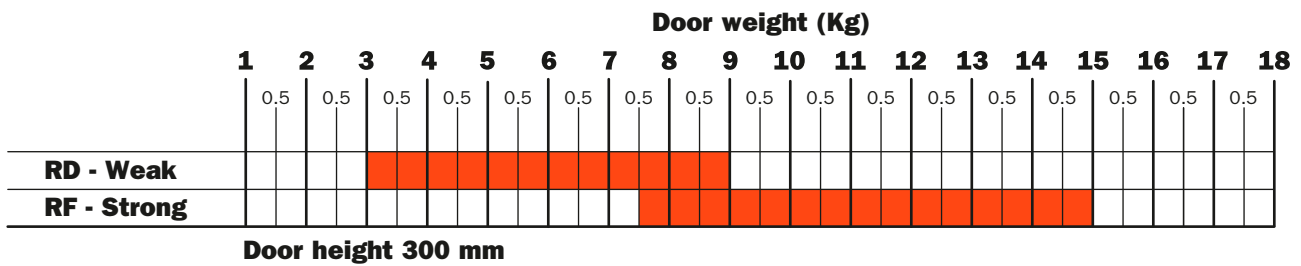
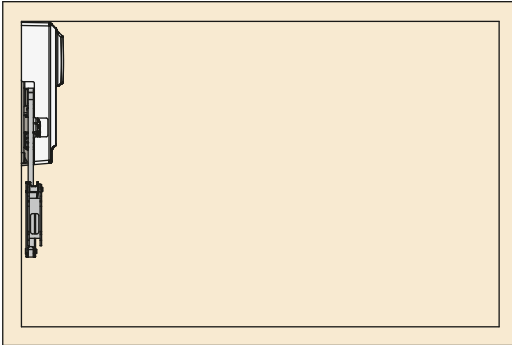
After 24h the max. hold is attained.



EvoLift • Flap door opening system
Charts to select the strength of the system

Charts to select the exact system suitable for the dimensions and weight of the door.
 It is suggested that some attachment trials are made.
 Our technical Assistance Service is at your disposal for any additional information.

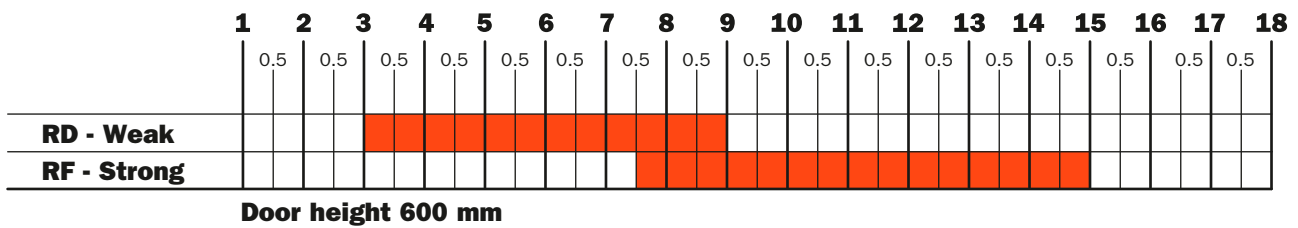
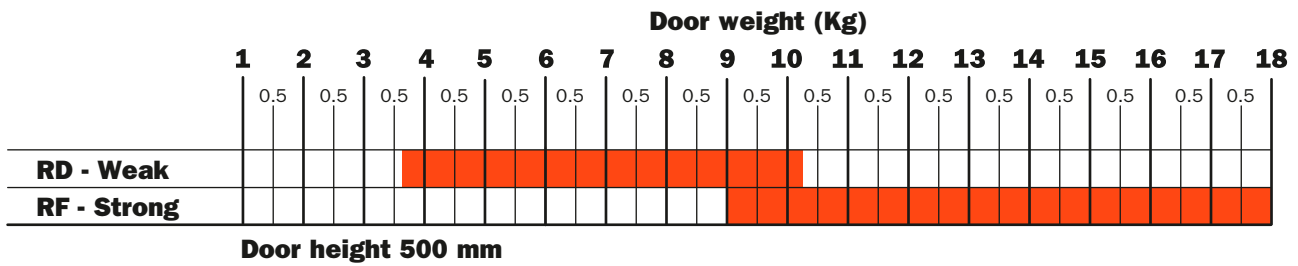
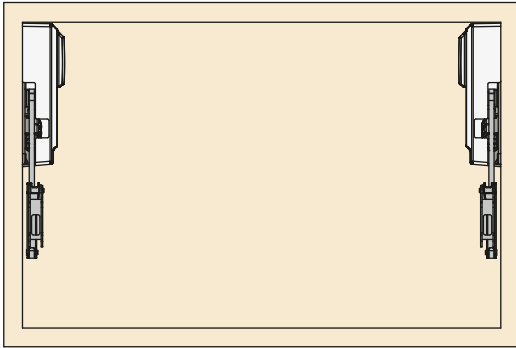
Single system





Charts to select the exact system suitable for the dimensions and weight of the door.
It is suggested that some attachment trials are made.
Our technical Assistance Service is at your disposal for any additional information.

Double system

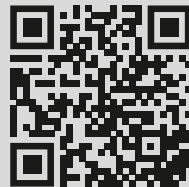


SALICE AMERICA INC.

2123 CROWN CENTRE DRIVE
CHARLOTTE NC. 28227
TEL. 704 841 7810
FAX. 704 841 7808
info.salice@saliceamerica.com
www.saliceamerica.com

SALICE CANADA INC.

3500 RIDGEWAY DRIVE, UNIT#1
MISSISSAUGA, ONTARIO, L5L 0B4
TEL. 905 820 8787
FAX. 905 820 7226
info.salice@salicecanada.com
www.salicecanada.com



Digital contents

DOCASAA27USACDN - Ed 03 - 07/2022

We reserve the right to change technical specifications.