



Shelf F70

SALICE

Index

Technical information	page 5
Part number composition and packaging	page 7
Locking devices	page 8
Adjustments	page 9



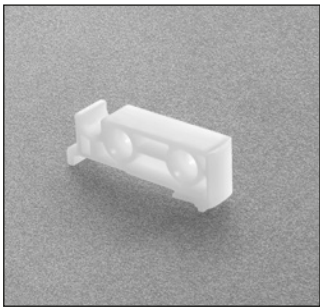
Shelf F70 Push

G7E6Q	Concealed runner - full-extension	page 14
--------------	-----------------------------------	---------



Shelf F70 Smove

G7E6R	Concealed runner - full-extension	page 18
--------------	-----------------------------------	---------



Accessories

Lock-open function for runners and drawers	page 22
Rear hook bracket	page 23

Shelf F70 - Runner for pull-out shelves

The Shelf F70 runners are for pull out shelves that are attached to the bottom of the cabinet and can be used in various market segments such as: kitchen cabinets, store fixtures, office furniture and living room furniture.

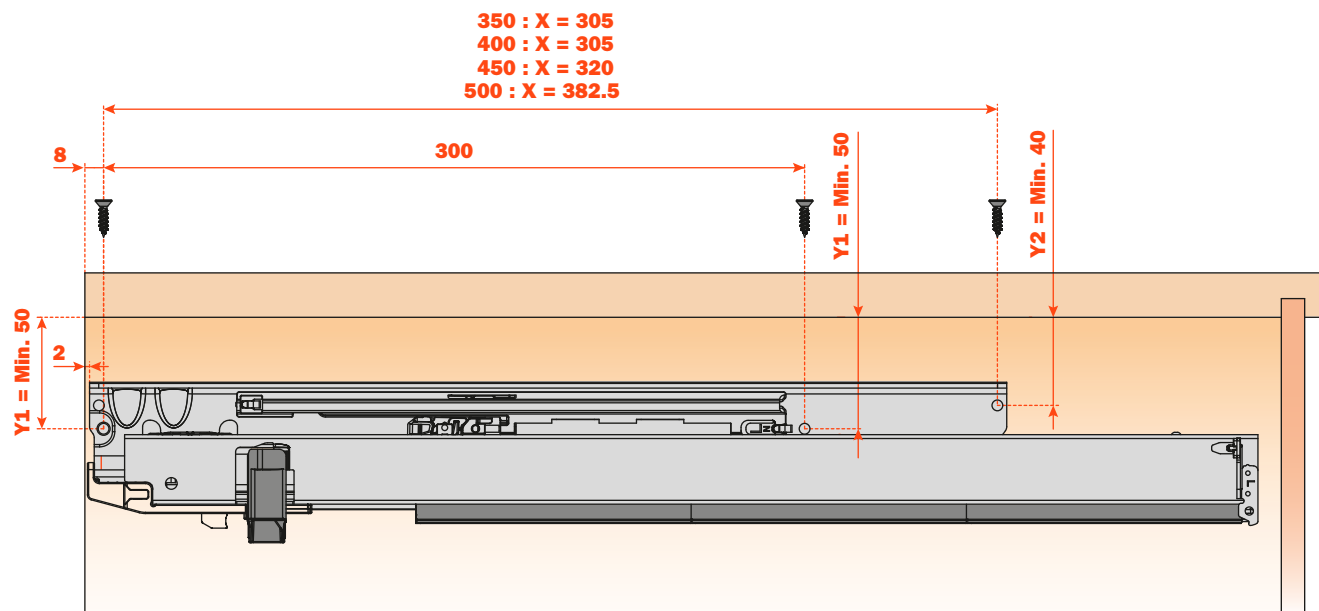
The runners enable the shelves to slide out for easy access.

The runners are full extension and are available with either Smove soft closing or with Push, the opening system for handle-less shelves.

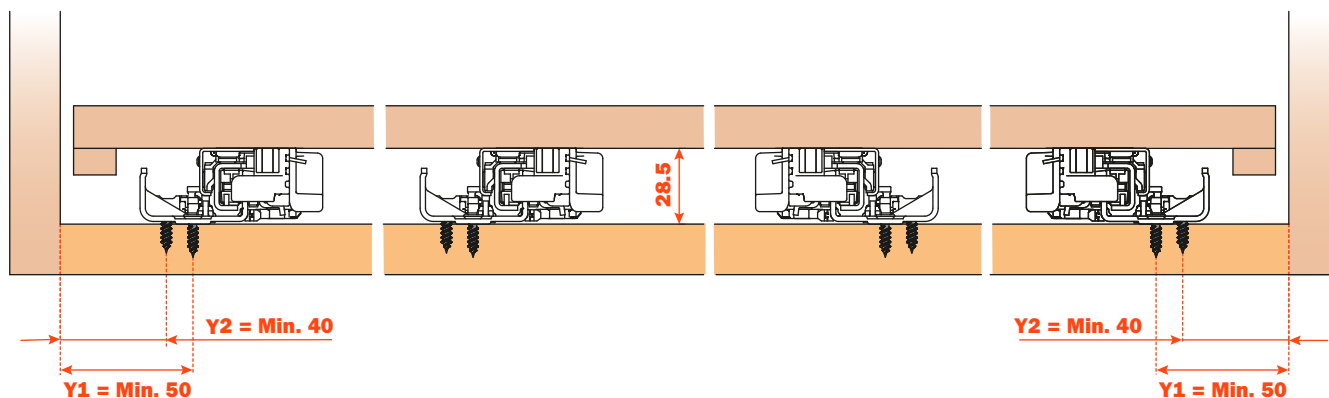


Technical information

Plan view - Full-extension



Dimensions

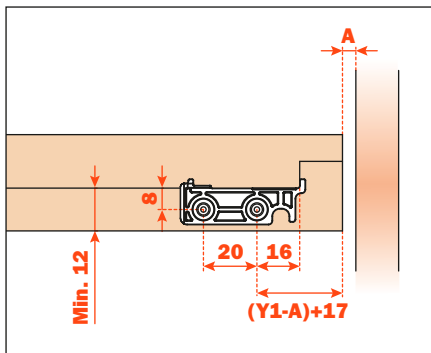
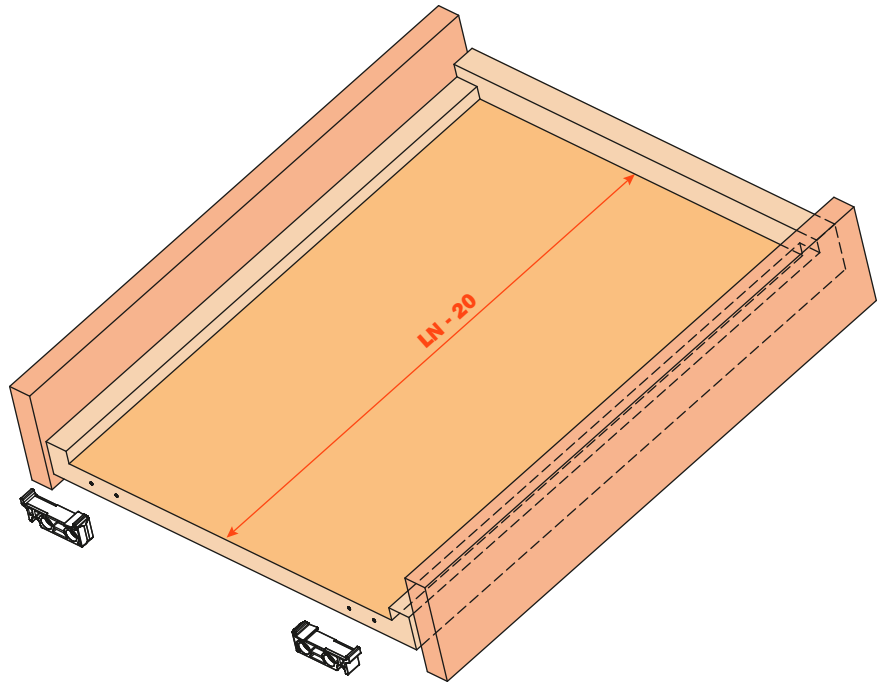


With larger shelves, it is possible to increase the number of runners, in order to improve the load capacity and the stability of the shelf.

Shelf F70 - Rear hook - Technical information

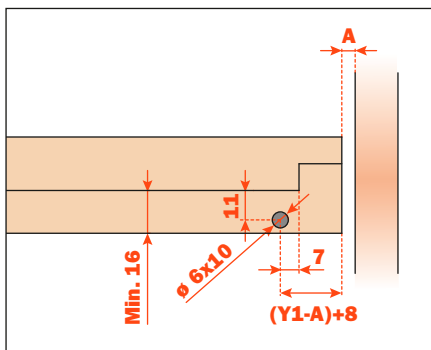
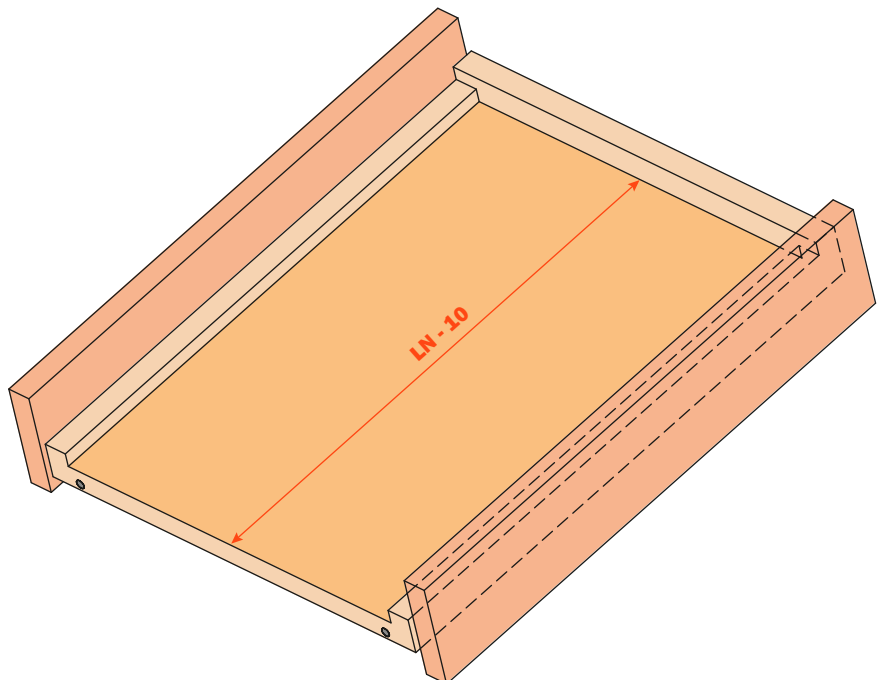
Assembly on the pull-out shelf with a 12-mm minimum thickness

Rear hook bracket



Y1 = Min. 50 mm

Assembly on the pull-out shelf with a 16-mm minimum thickness



Y1 = Min. 50 mm

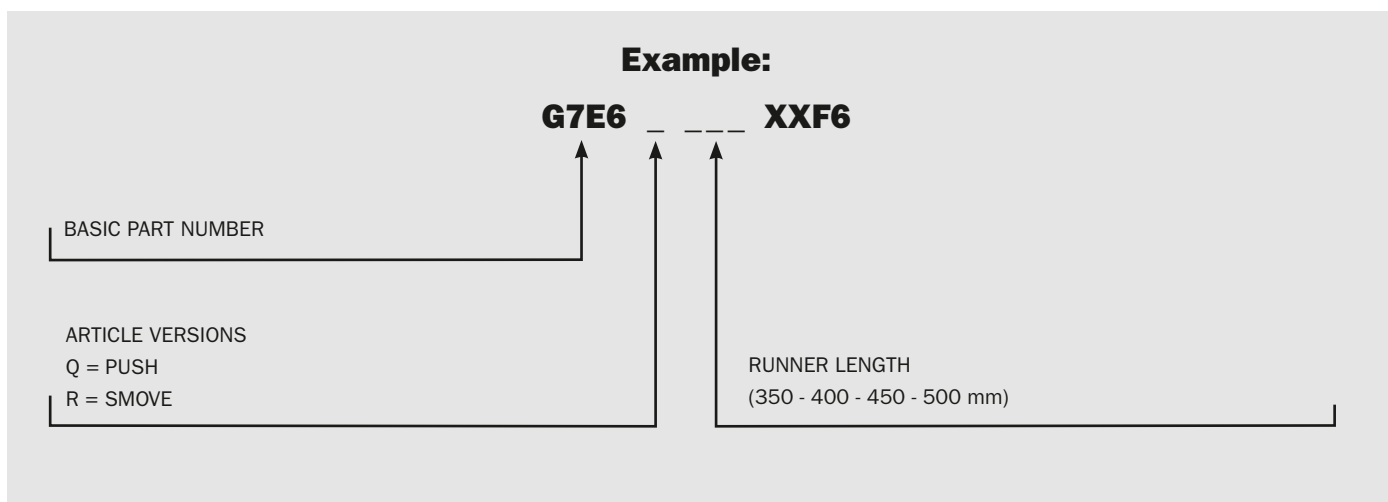
Packaging

PUSH	LENGTH	BOX	PALLET
G7E6Q350XXF6	350 mm	6 prs	192 prs
G7E6Q400XXF6	400 mm	6 prs	192 prs
G7E6Q450XXF6	450 mm	6 prs	192 prs
G7E6Q500XXF6	500 mm	6 prs	192 prs

SMOVE	LENGTH	BOX	PALLET
G7E6R350XXF6	350 mm	6 prs	192 prs
G7E6R400XXF6	400 mm	6 prs	192 prs
G7E6R450XXF6	450 mm	6 prs	192 prs
G7E6R500XXF6	500 mm	6 prs	192 prs

CLIP	BOX Right clips	BOX Left clips	PALLET Right clips	PALLET Left clips
AFCGXX3B	100 pcs.	100 pcs.	2400 pcs.	2400 pcs.

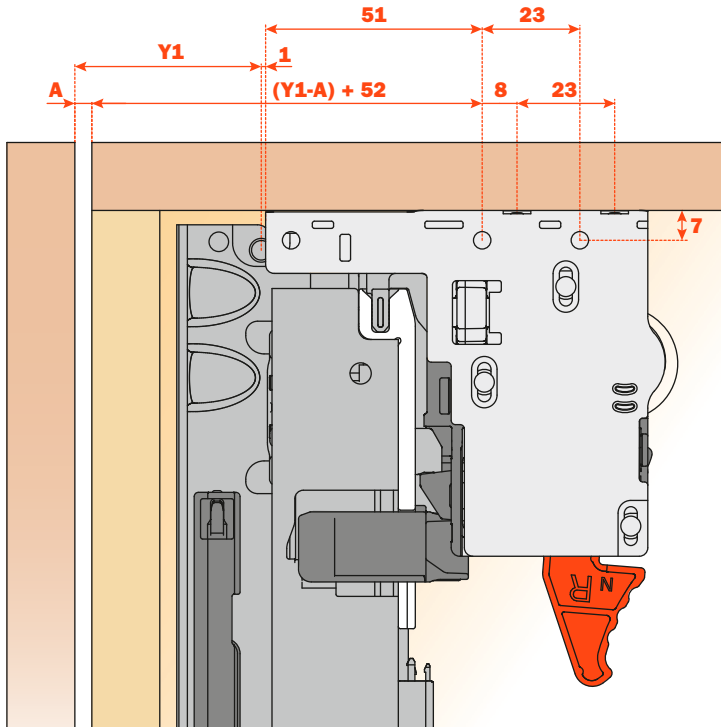
Part number composition



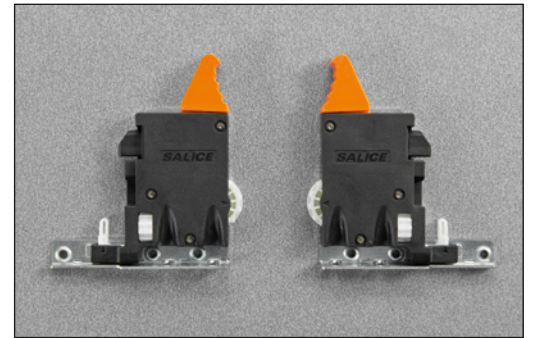
Shelf F70 - Locking devices

- Dual metal/plastic construction
- For all F70 runner versions
- Integrated tool-free side and depth adjustments
- Pre-drilling recommended \varnothing 2.5 mm (3/32")
- Assembly to the bottom or to the drawer front

Dimension of the clip and drilling position



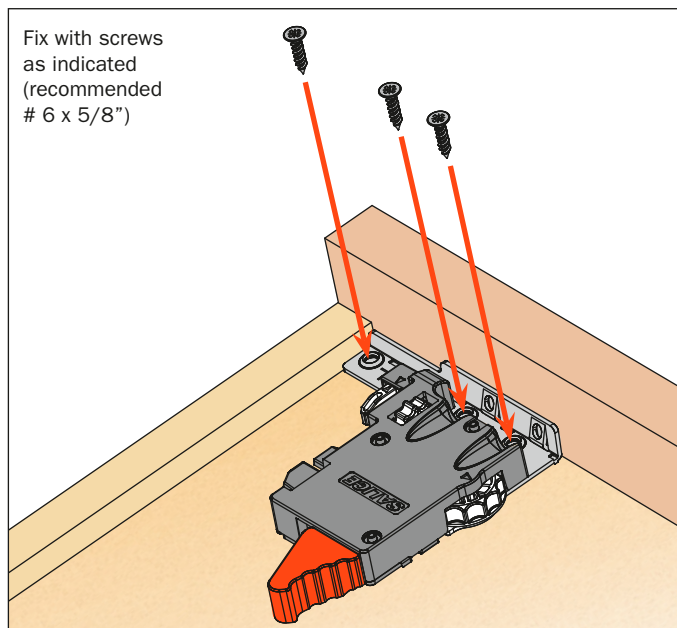
Y1 = Min. 50 mm



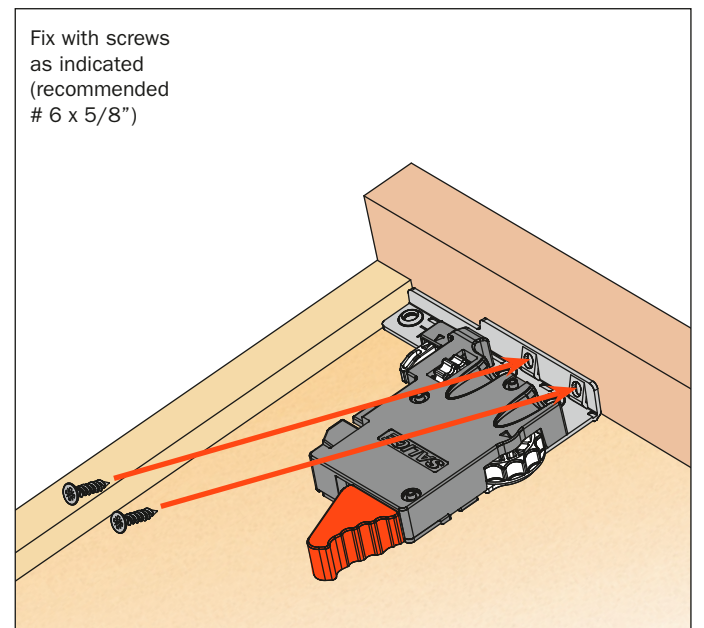
AFCGX3B
Right and left clip with integrated adjustments

PACKAGING
2 boxes = 100 pcs right and 100 pcs left

Assembly to the bottom

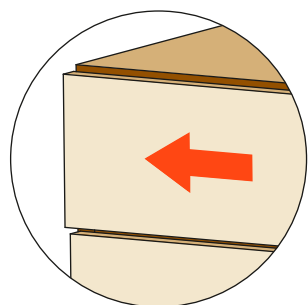
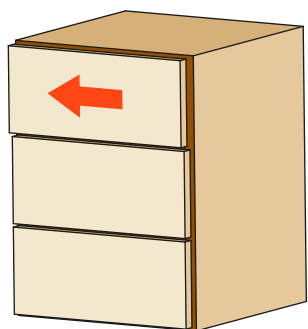


Assembly to the drawer front

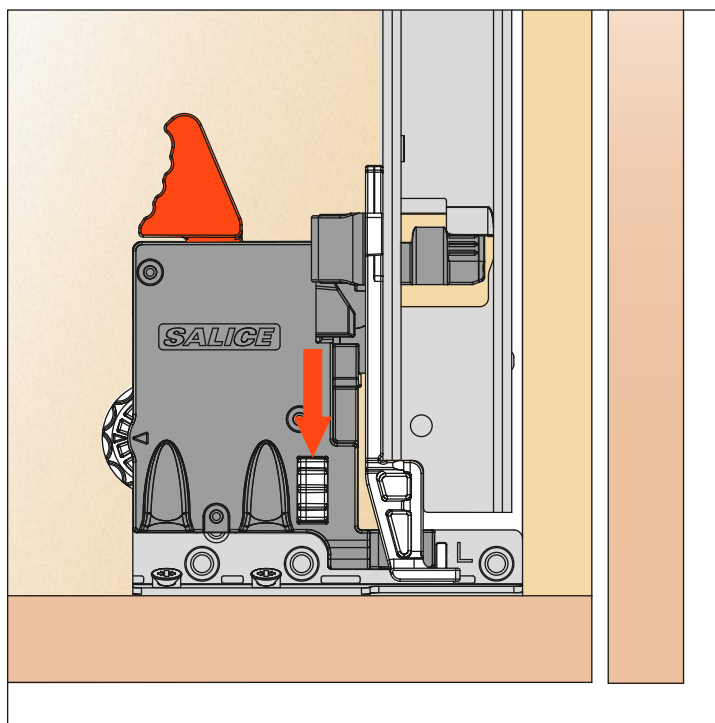


Side adjustment +/- 1.5 mm

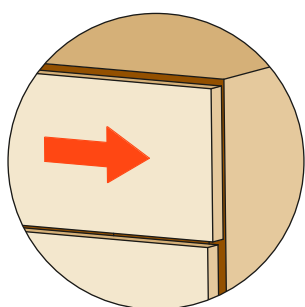
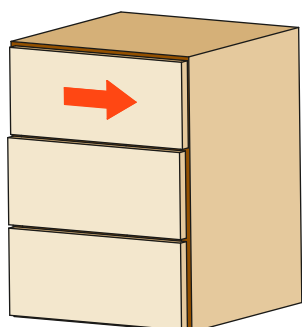
Rotate the white wheel (see drawing) towards the front of the drawer to adjust left.
This operation is tool free.



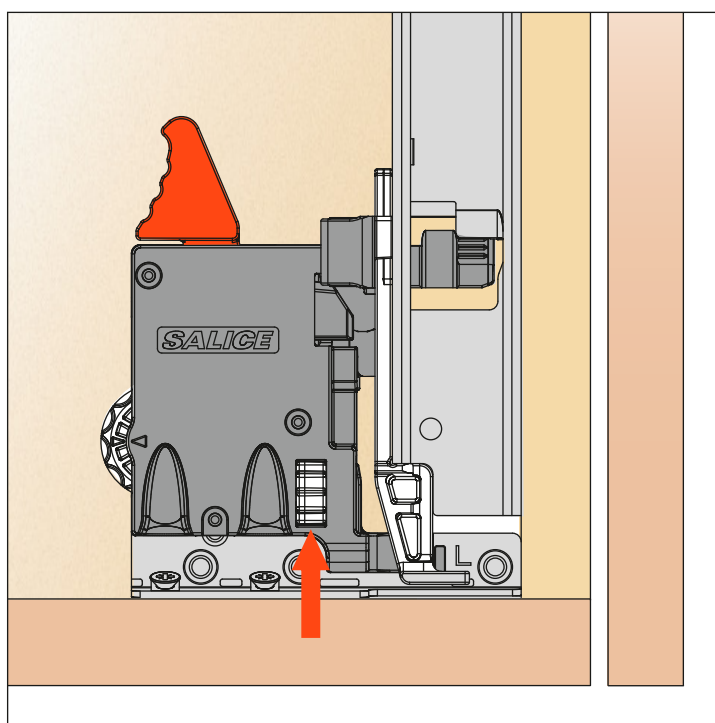
1.5 mm



Rotate the white wheel (see drawing) towards the back of the drawer to adjust right.
This operation is tool free.



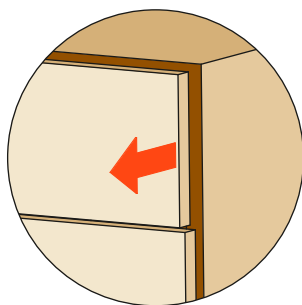
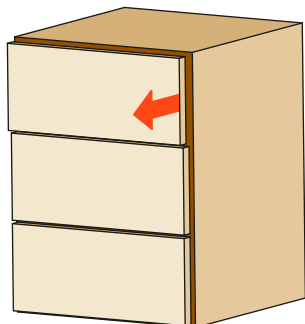
1.5 mm



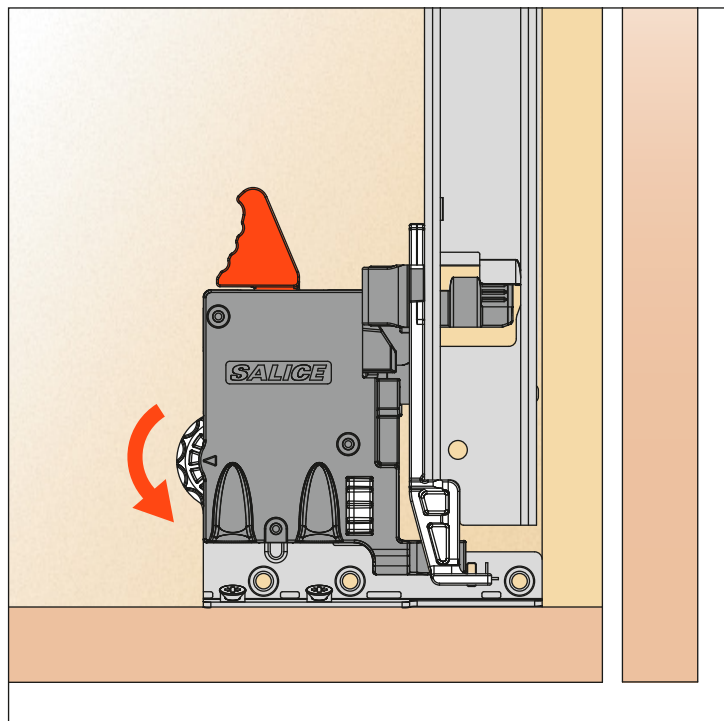
For side adjustment, it is recommended that both the adjusters on the clips are in the same direction, in order to maintain the correct alignment and function of the runners.

Depth adjustment +/- 3 mm

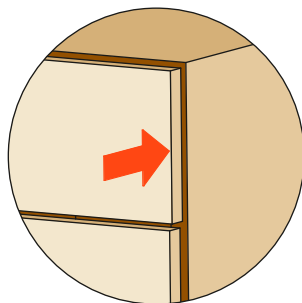
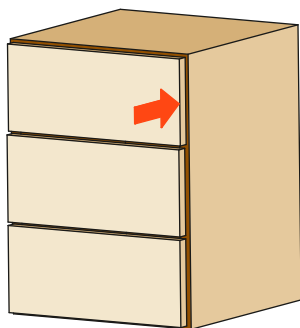
Rotate the white wheel (see drawing) towards the outside of the drawer to increase the gap between the front and the side. This operation is tool free.



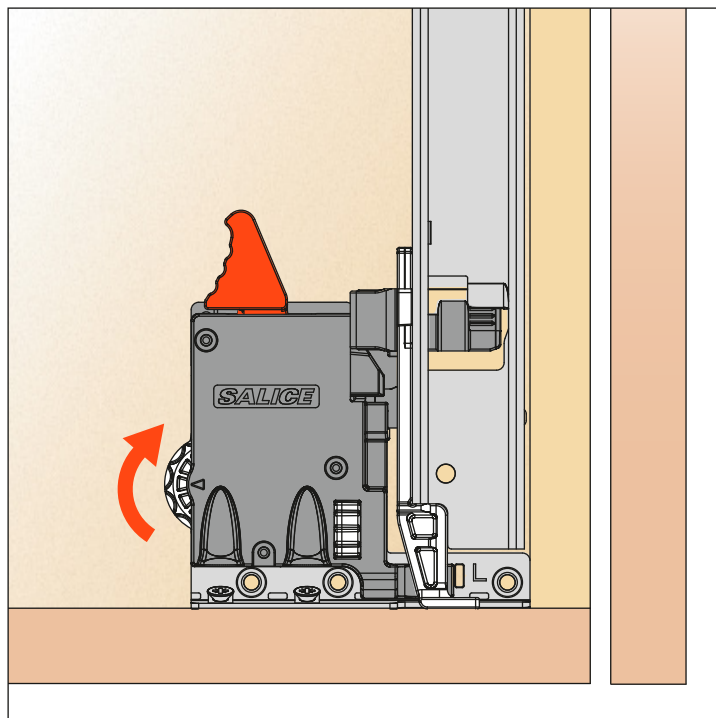
+ 3 mm



Rotate the white wheel (see drawing) towards the inside of the drawer to reduce the gap between the front and the side. This operation is tool free.

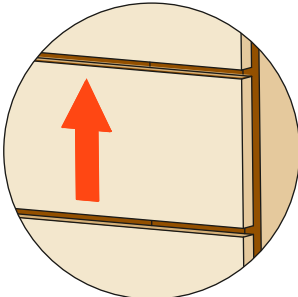
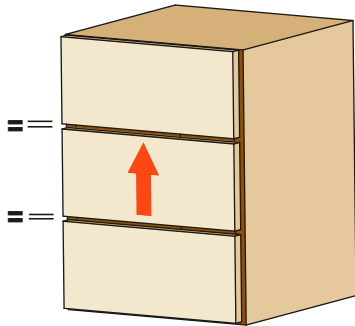
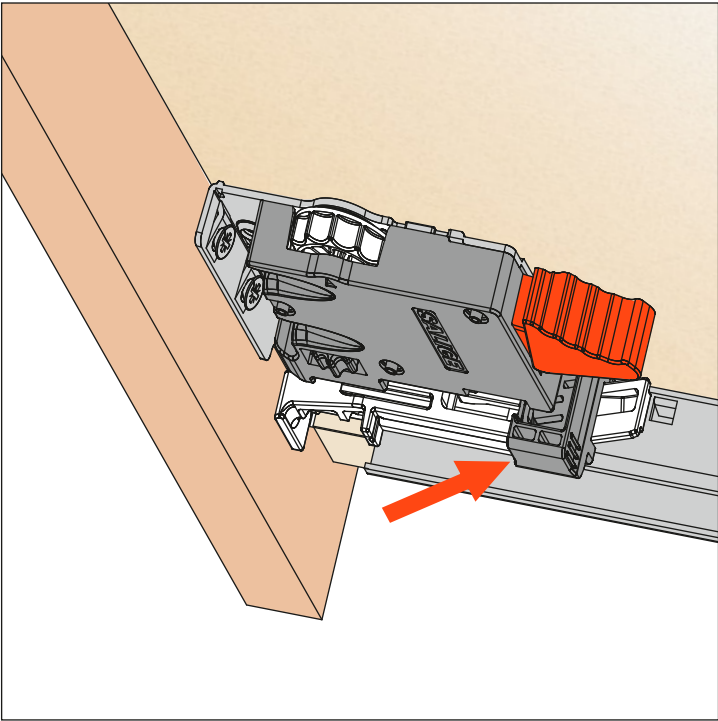
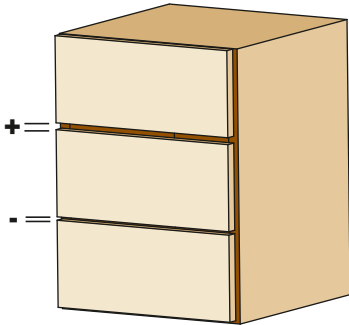


- 3 mm

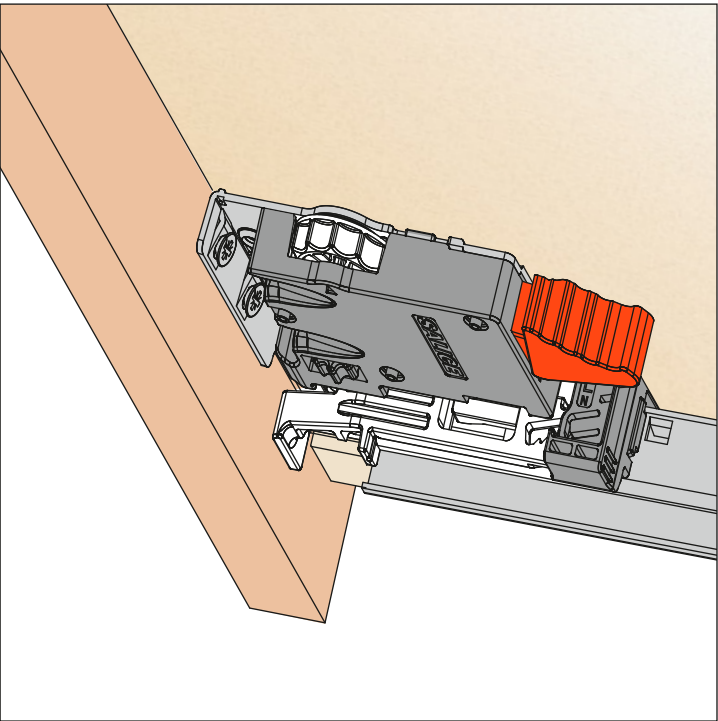


Height adjustment + 2.5 mm

Press the lever towards the back of the drawer to achieve the height adjustment.
This operation is tool free.

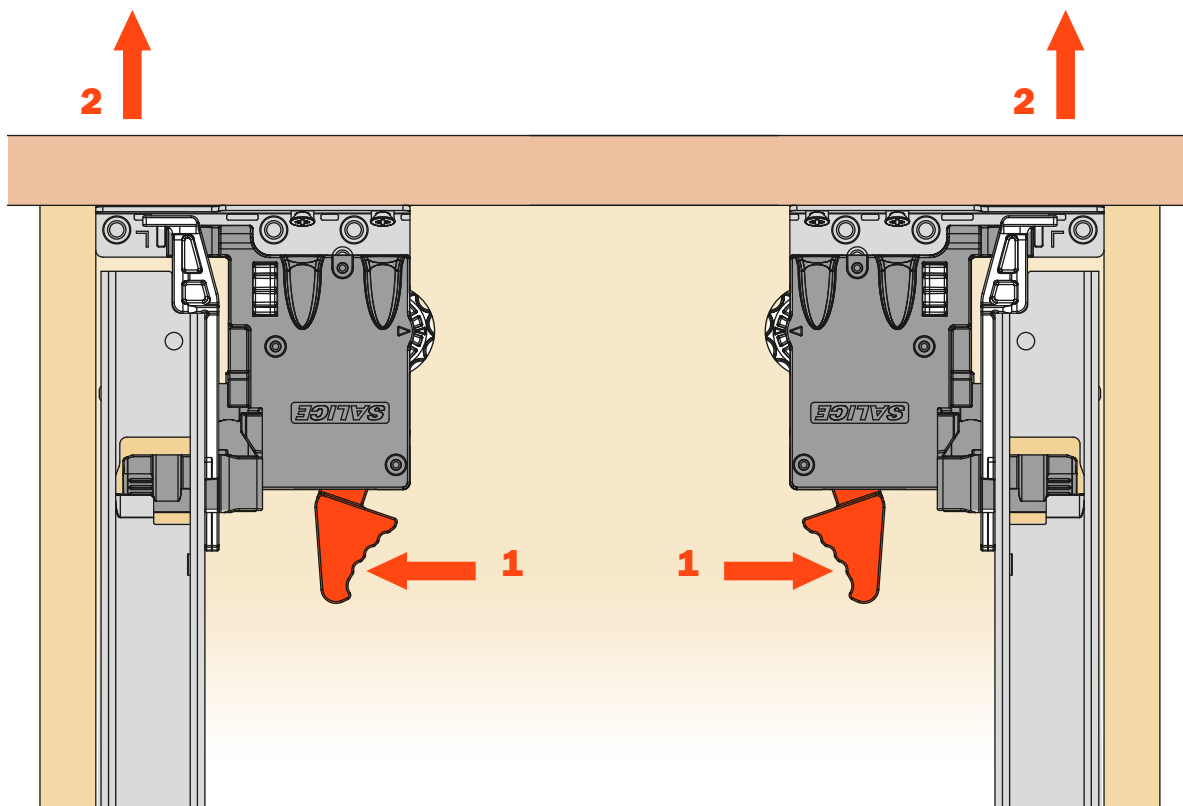


2.5 mm



Shelf removal

Position hands under the front of the shelf and press on the orange levers, as indicated in the drawing, sliding the shelf out of the cabinet.





Shelf F70 Push

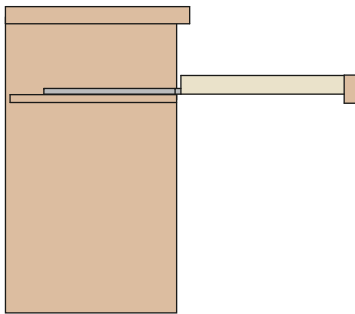
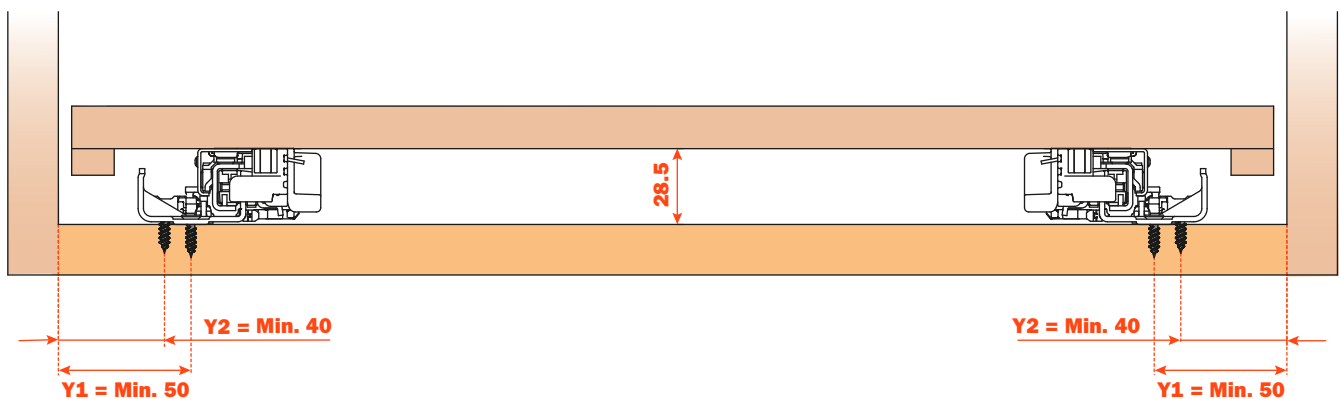
Shelf F70 Push G7E6Q - Concealed runner

Full-extension runner attached to the shelf by clips.

Push: the opening system for handle-less drawers is fully integrated in the runner. A slight pressure of the drawer front is enough for the drawer to open.

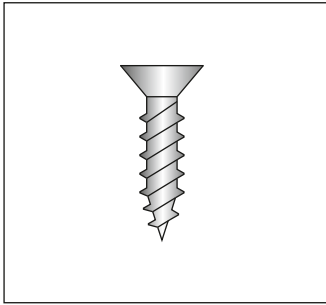
Product features

- 170 Lbs Static load capacity / 154 Lbs Dynamic load capacity
- Full extension with a synchronized mechanism
- Available in 14" to 20" length
- Integrated Push opening system
- Safety system that prevents the shelves from turning over
- Tool free height adjustments +2.5 mm
- Tool free depth adjustments +/- 3 mm
- Tool free side adjustments +/- 1.5 mm
- The shelf is held in the closed position
- Finish: bright zinc-plated
- 100% Made in Italy

**Dimensions**



Ordering information



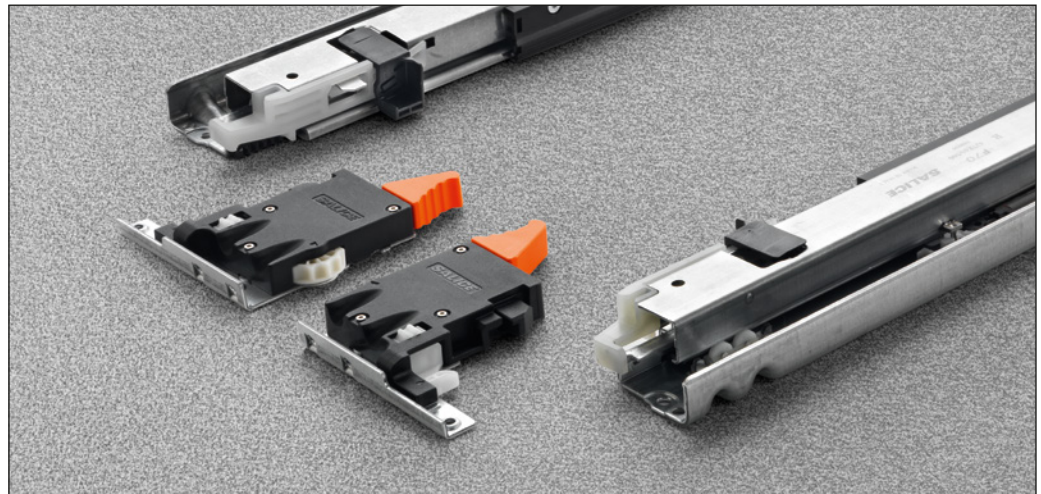
To be screw fixed
Screw TSP \varnothing 3.5 mm

BASIC PART NUMBER	RUNNER LENGTH (LN)	MIN. CABINET DEPTH (PM)	PACKAGING
G7E6Q350XF6	350	360	6 pairs
G7E6Q400XF6	400	410	6 pairs
G7E6Q450XF6	450	460	6 pairs
G7E6Q500XF6	500	510	6 pairs

Locking device AFCGXX3B

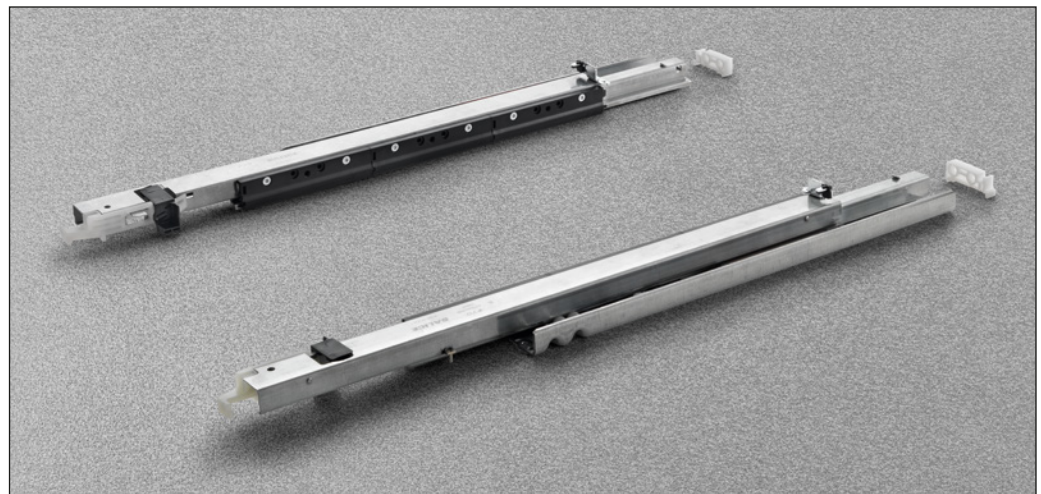
Tool free
height adjustments + 2.5 mm,
depth adjustments +/- 3 mm,
side adjustments +/- 1.5 mm

Packaging:
2 boxes = 100 pcs right and
100 pcs left



Rear hook bracket AGAPXXYI

Packaging:
1 box = 100 pcs





Shelf F70 Smove

Shelf F70 Smove G7E6R - Concealed runner

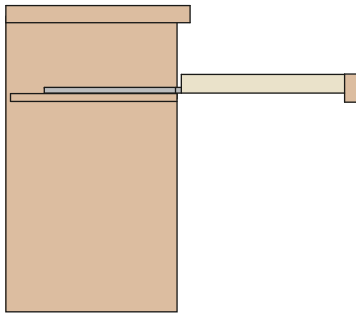


Full-extension runner attached to the shelf by clips.

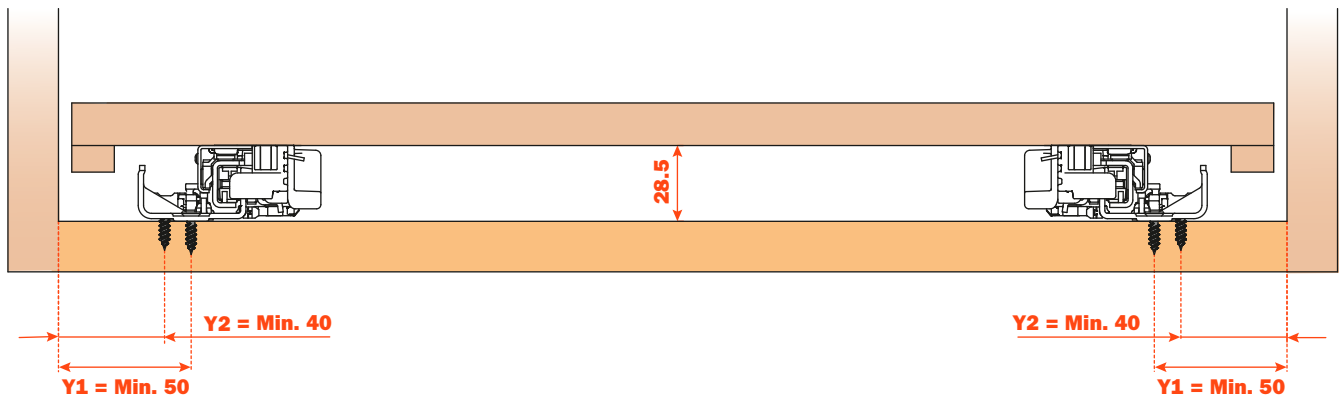
Smove: soft closing mechanism, fully integrated into the drawer runner.

Product features

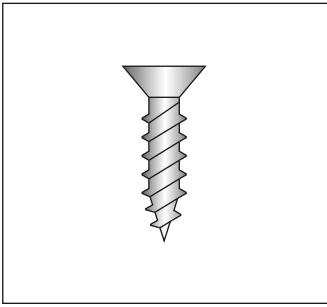
- 170 Lbs Static load capacity / 154 Lbs Dynamic load capacity
- Full extension with a synchronized mechanism
- Available in 14" to 20" length
- Enhanced smooth soft closing action
- Safety system that prevents the shelves from turning over
- Tool free height adjustments +2.5 mm
- Tool free depth adjustments +/- 3 mm
- Tool free side adjustments +/- 1.5 mm
- Finish: bright zinc-plated
- 100% Made in Italy



Dimensions



Ordering information



To be screw fixed
Screw TSP \varnothing 3.5 mm

BASIC PART NUMBER	RUNNER LENGTH (LN)	MIN. CABINET DEPTH (PM)	PACKAGING
G7E6R350XF6	350	360	6 pairs
G7E6R400XF6	400	410	6 pairs
G7E6R450XF6	450	460	6 pairs
G7E6R500XF6	500	510	6 pairs

Locking device AFCGXX3B

Tool free
height adjustments + 2.5 mm,
depth adjustments +/- 3 mm,
side adjustments +/- 1.5 mm

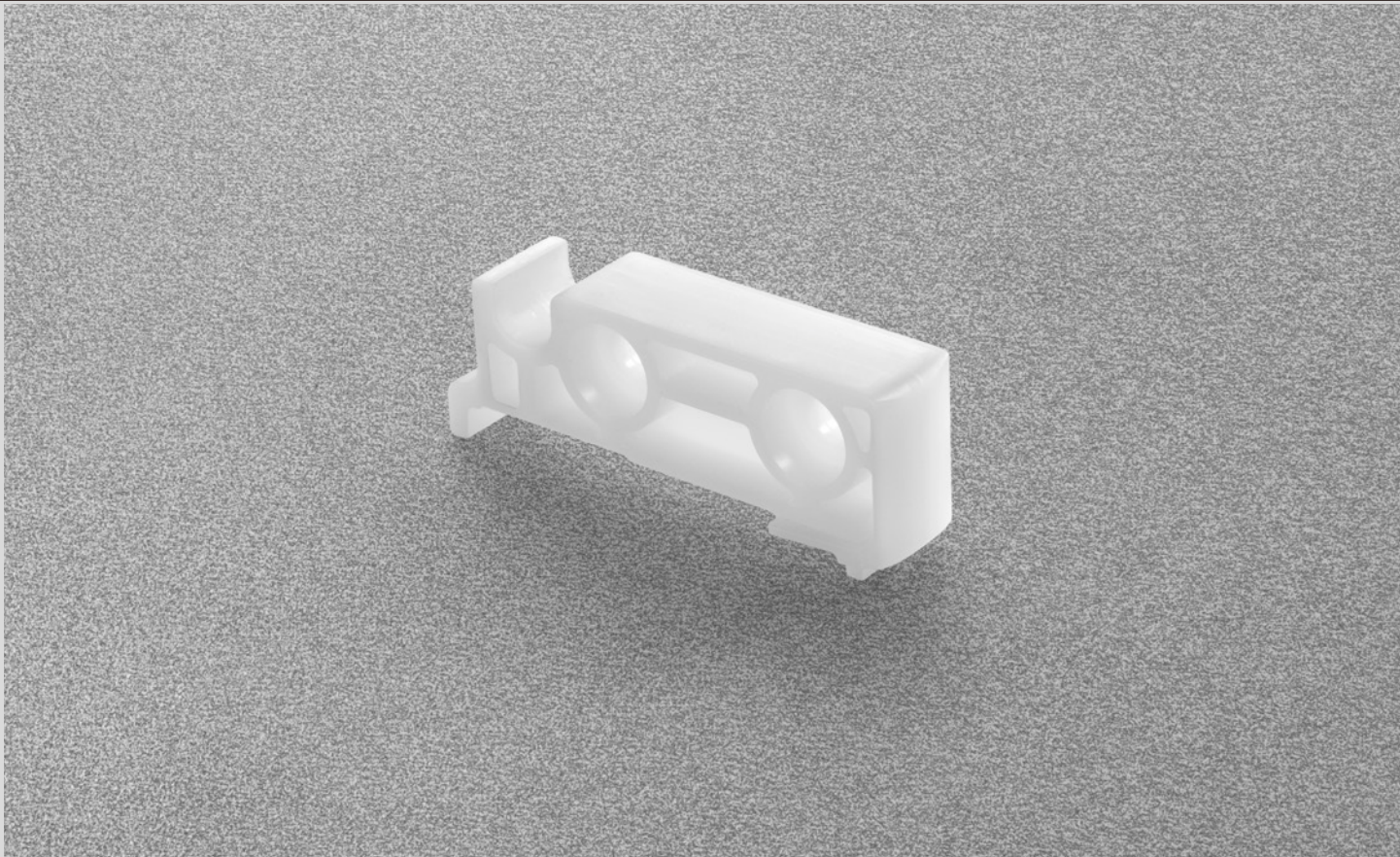
Packaging:
2 boxes = 100 pcs right and
100 pcs left



Rear hook bracket AGAPXXYI

Packaging:
1 box = 100 pcs





Accessories

Shelf F70 - Lock-open function for runners and drawers

AROSXXY

The shelf is held at the maximum opening position by means of a rear-fixed bracket and a magnet.

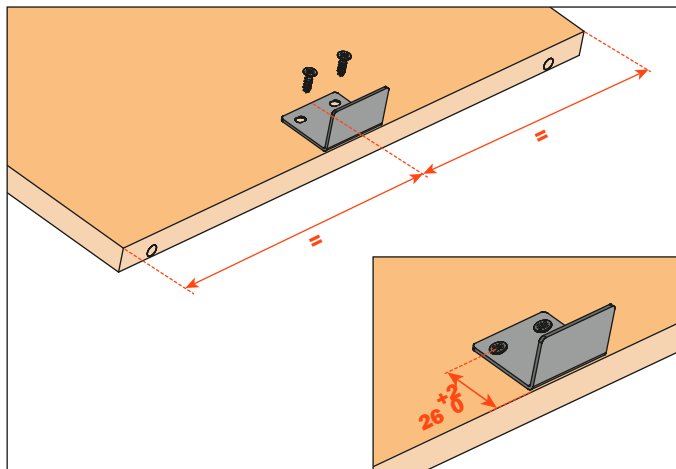
PACKAGING

1 box = 20 magnets, 20 brackets.
Screws included.

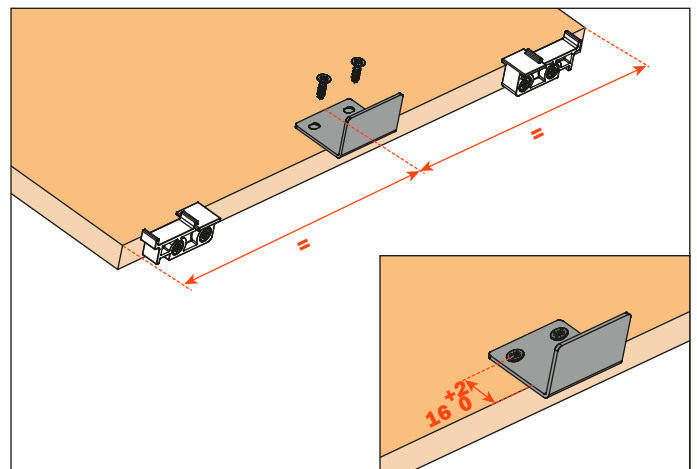


Assembly instructions

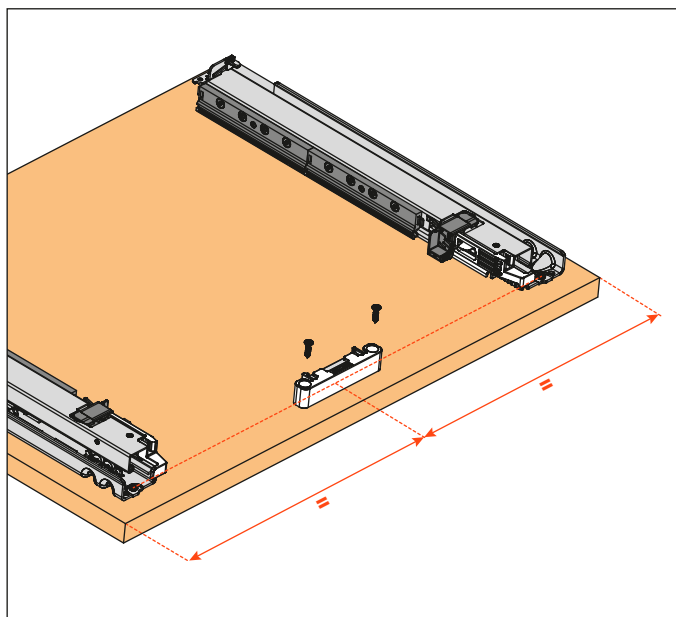
1 A) Fix the bracket, aligned with the back of the shelf.



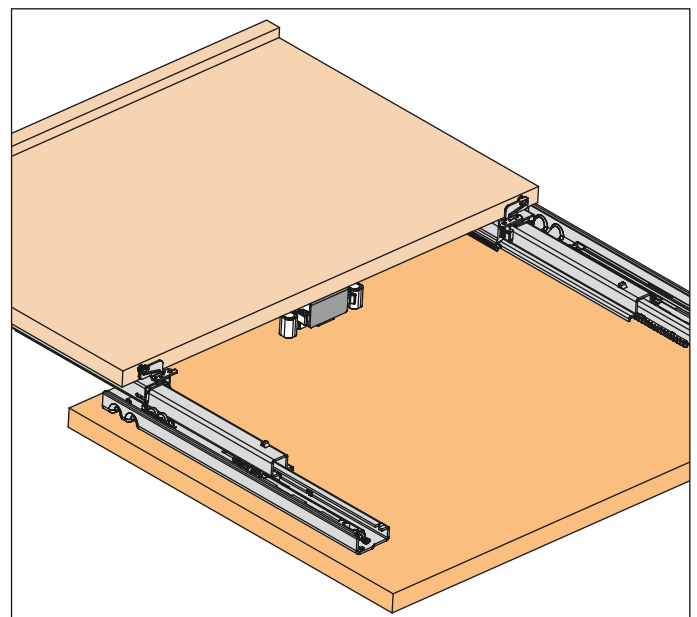
1 B) Fix the bracket to the shelf with the rear hook support. The bracket needs to be aligned to the rear hook support.



2) Fix the magnet to the bottom.



3) The shelf is held at the maximum opening position.

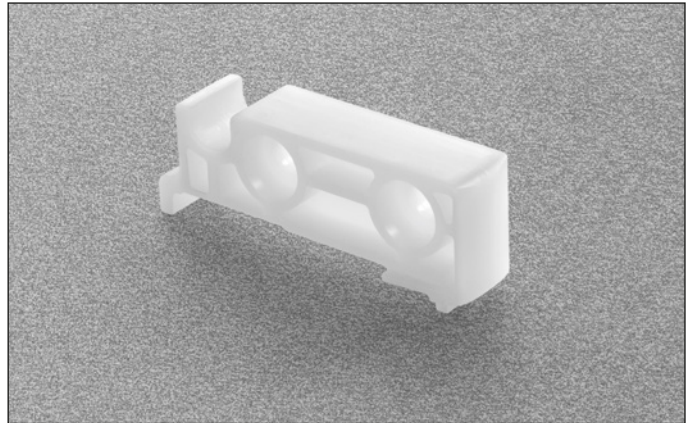


Rear hook bracket

AGAPXXYI

For shelves that are less than 12 mm thick, the runner can be used together with the rear hook bracket, thus eliminating the need for the rear hole in the shelf.

PACKAGING:
1 box = 100 pcs.

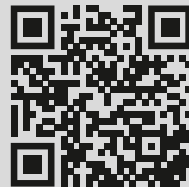


SALICE AMERICA INC.

2123 CROWN CENTRE DRIVE
CHARLOTTE NC. 28227
TEL. 704 841 7810
FAX. 704 841 7808
info.salice@saliceamerica.com
www.saliceamerica.com

SALICE CANADA INC.

3500 RIDGEWAY DRIVE, UNIT#1
MISSISSAUGA, ONTARIO, L5L 0B4
TEL. 905 820 8787
FAX. 905 820 7226
info.salice@salicecanada.com
www.salicecanada.com



Digital contents