

PIN



SALICE

USA CDN



PIN

Personalization and complete versatility. Pin is an innovative and revolutionary display storage system that allows the most flexible and creative arrangement of bottles, knives, shelves, items of clothing and accessories.

The elegant, design-oriented and highly refined Pin has streamlined aesthetics and easy, quick and intuitive assembly. The Pin brackets can be moved easily and positioned anywhere with an ingenious fixing system that is extremely strong and stable.

Available in aluminium and titanium finishes, complementing all kinds of room settings, furniture and applications, Pin features a special surface treatment with soft touch effect. This treatment optimizes the functionality of the system by acting as a non-slip coating to keep the stored objects secure and stable on the brackets. The velvety soft touch surface treatment enhances Pin's aesthetic value, making its design even more innovative and user-friendly.

SALICE



PIN wine





Above: the Pin Wine supports are fixed in tiered pairs, each pair carrying up to 3 bottles. This solution allows the secure and flexible arrangement of several bottles.



On the right: the highly flexible and innovative combination of the Pin Wine brackets creates "made-to-measure" arrangements, using both standard, small and even "magnum" bottles.

On the far right: Thanks to its versatility, Pin Wine can also be used to create bespoke arrangements to integrate into kitchen units.





Pin Wine is also equipped with an information label, onto which wine description and characteristics can be inscribed. The label perfectly integrates with the display storage system.



PIN --- knife



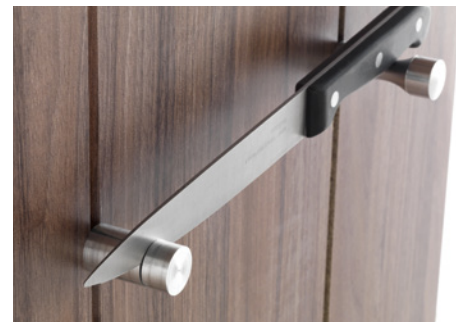


The Pin Knife system fixed on a wood panel presents a highly functional and secure storage system for cook's knives.

Pin Knife enables kitchen knives of any shape and size to be arranged in the most functional and personal way.

Thanks to this arrangement, the knives are easily accessible while cooking and the wood panel gives an additional aesthetic value.

The innovative compression spring mechanism allows the blades of the knives to be stably and securely fixed.



PIN shelf





Also Pin Shelf permits the most creative and flexible arrangements of shelves of any material, which can be positioned at any height desired.





The system can also be used with the profiles fixed directly to the wall.



A close-up photograph of several black pushpins with a textured, ergonomic design, arranged on a dark, vertically-grained wood surface. The lighting creates soft shadows, highlighting the pins' form.

PIN hang



The Pin Hang system allows the orderly and functional arrangement of multiple items, such as coats, scarves, hats, accessories and different things of everyday usage.



Pin Hang can be fixed both on surface-mounted and recessed profiles.



The system can thus be used in various room settings, such as entrance halls, living spaces, bathroom and kitchen, as well as in the office.



The assembly is extremely easy and intuitive.



Pin Hang is totally customizable with an infinite number of possible combinations. The system can be arrayed vertically and horizontally, thus enabling it to be adapted to all kinds of room settings and spaces.



COMPONENT PARTS

Pin Wine

Wine bottles display storage system

DOB3PXXK = Aluminium finish
DOB3PXXT = Titanium finish

Soft touch treatment for greater stability of the stored objects.

PACKING: boxes 12 pcs

- 1) Anchor bolt
- 2) Gasket
- 3) Bracket
- 4) Connecting item
- 5) Cap

DOB3LU300P = Aluminium finish
DOB3LU300T = Titanium finish

PACKING: boxes 16 pcs

6) Profile length: 3 meters

DOB3LU200P = Aluminium finish
DOB3LU200T = Titanium finish

PACKING: boxes 16 pcs

6) Profile length: 2 meters

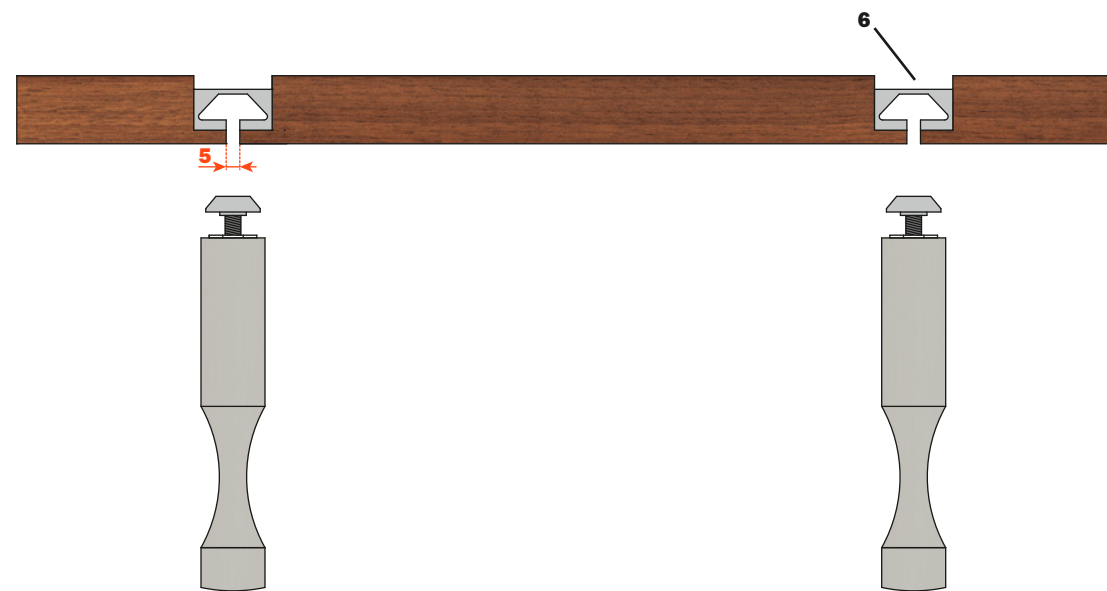
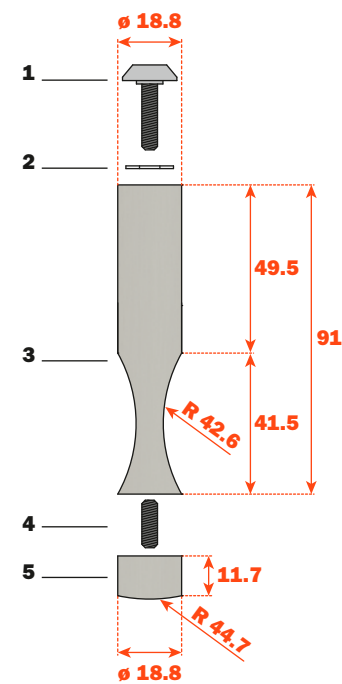
DOB3LU100P = Aluminium finish
DOB3LU100T = Titanium finish

PACKING: boxes 16 pcs

6) Profile length: 1 meter

The profiles can be surface-mounted or recessed into wood panels.
 Screws for the profile fixing to be ordered separately. Please see page 27.

Maximum weight carried by one pair of Pin Wine brackets: 3,5 kg.



ACCESSORIES

Information label

Wine bottles display storage system

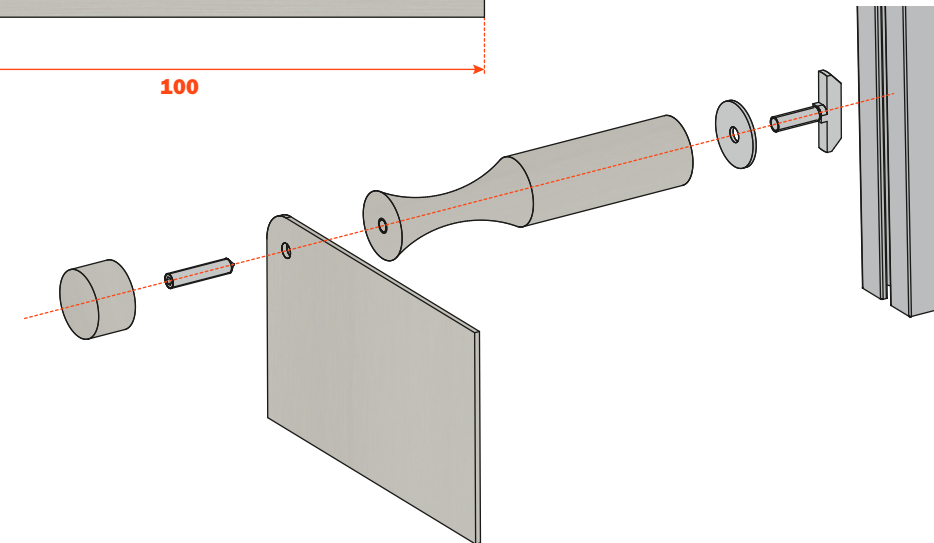
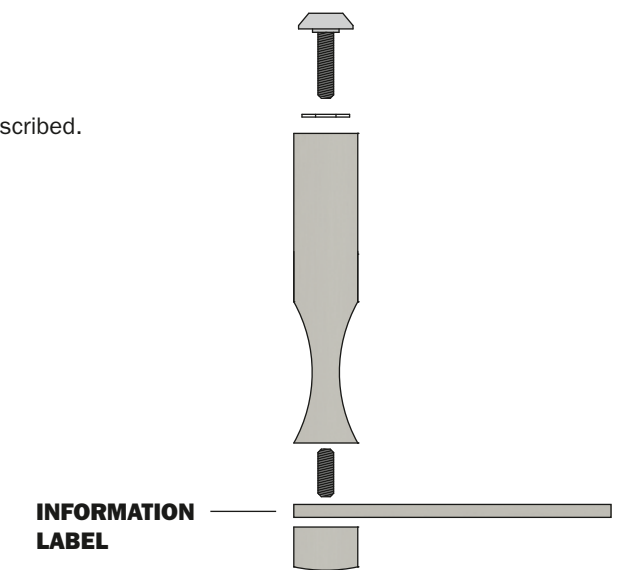
DOB4XXK = Aluminium finish
DOB4XXT = Titanium finish

Soft touch treatment.

PACKING: boxes 12 pcs

Information label onto which wine description and characteristics can be inscribed.

Dimensions: 100x60 mm



COMPONENT PARTS

Pin Knife

Knives display storage system

DOKPXXK = Aluminium finish
DOKPXXT = Titanium finish
 Soft touch treatment for greater stability of the stored objects.

PACKING: boxes 12 pcs

- 1) Anchor bolt
- 2) Gasket
- 3) Bracket
- 4) Connecting item
- 5) Cap

DOB3LU300P = Aluminium finish
DOB3LU300T = Titanium finish

PACKING: boxes 16 pcs

6) Profile length: 3 meters

DOB3LU100P = Aluminium finish
DOB3LU100T = Titanium finish

PACKING: boxes 16 pcs

6) Profile length: 1 meter

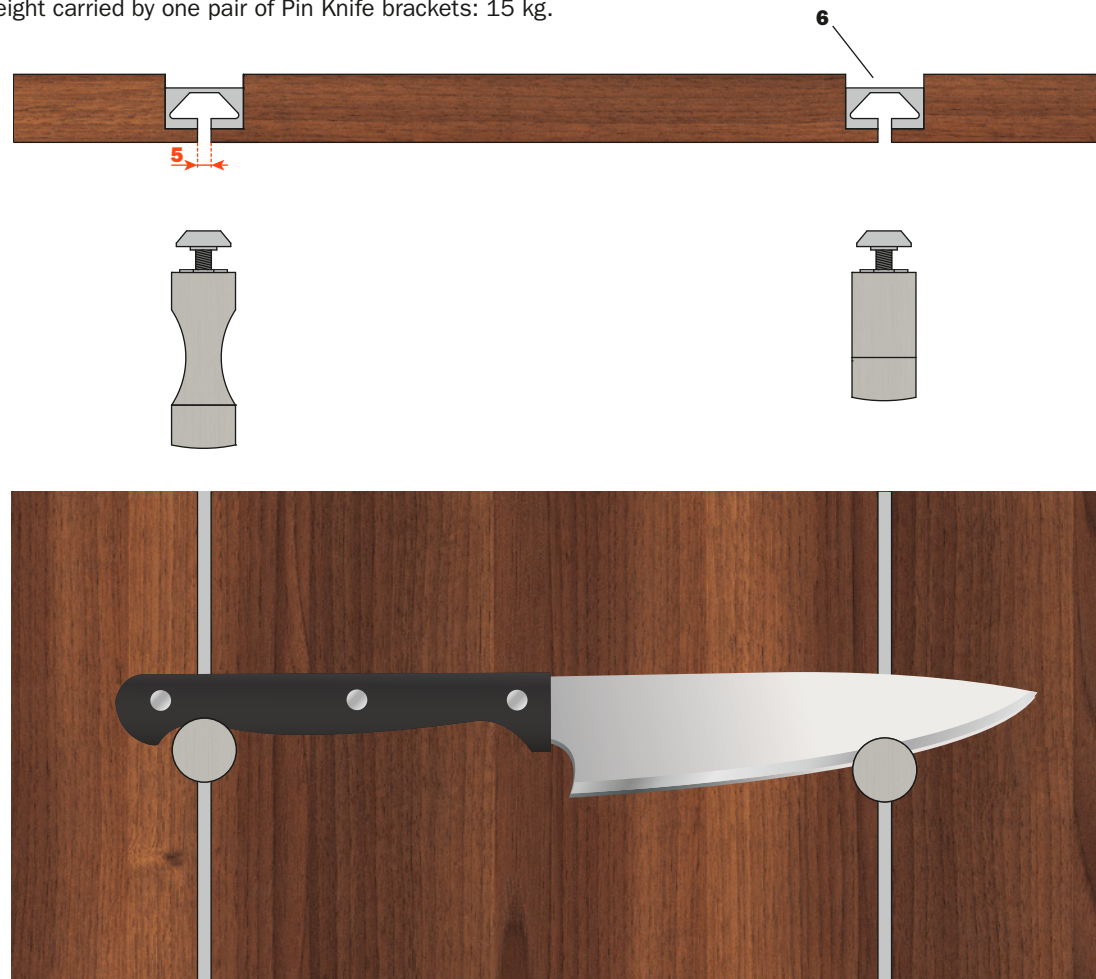
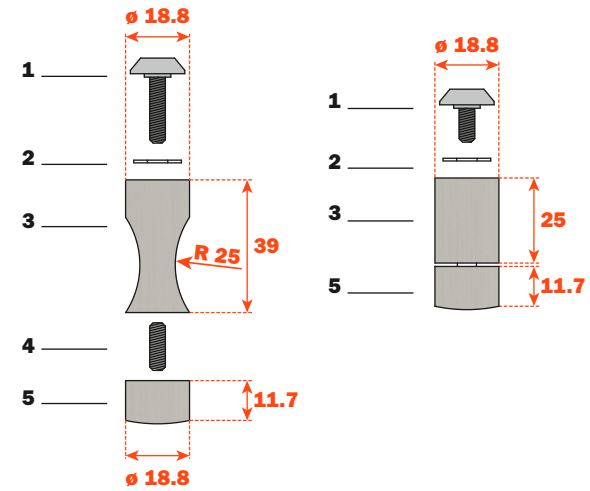
The profiles can be surface-mounted or recessed into wood panels.
 Screws for the profile fixing to be ordered separately. Please see page 27.

Maximum weight carried by one pair of Pin Knife brackets: 15 kg.

DOB3LU200P = Aluminium finish
DOB3LU200T = Titanium finish

PACKING: boxes 16 pcs

6) Profile length: 2 meters



COMPONENT PARTS

Pin Shelf

Shelves display storage system

DOCPXXK = Aluminium finish
DOCPXXT = Titanium finish
 Soft touch treatment for greater stability of the stored objects.

PACKING: boxes 12 pcs

- 1) Anchor bolt
- 2) Gasket
- 3) Bracket
- 4) O-ring

DOB3LU300P = Aluminium finish
DOB3LU300T = Titanium finish

PACKING: boxes 16 pcs

6) Profile length: 3 meters

DOB3LU100P = Aluminium finish
DOB3LU100T = Titanium finish

PACKING: boxes 16 pcs

6) Profile length: 1 meter

The profiles can be surface-mounted or recessed into wood panels.
 Screws for the profile fixing to be ordered separately. Please see page 27.

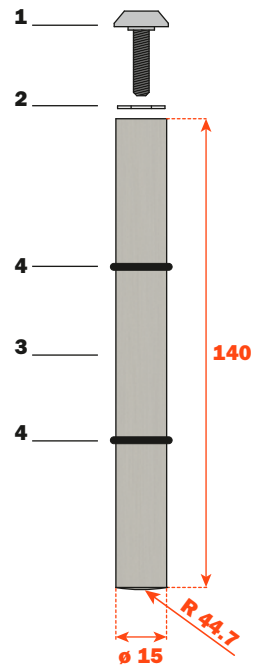
Maximum weight carried by one pair of Pin Shelf brackets: 7,5 kg

Shelves with a maximum depth of 160 mm are highly recommended.

DOB3LU200P = Aluminium finish
DOB3LU200T = Titanium finish

PACKING: boxes 16 pcs

6) Profile length: 2 meters



COMPONENT PARTS

Pin Hang

Display storage system for items of clothing and accessories

DOHPXXK = Aluminium finish
DOHPXXT = Titanium finish
 Soft touch treatment for greater stability of the stored objects.

PACKING: boxes 12 pcs

- 1) Anchor bolt
- 2) Gasket
- 3) Bracket
- 4) Connecting item
- 5) Cap

DOB3LU300P = Aluminium finish
DOB3LU300T = Titanium finish

PACKING: boxes 16 pcs
 6) Profile length: 3 meters

DOB3LU200P = Aluminium finish
DOB3LU200T = Titanium finish

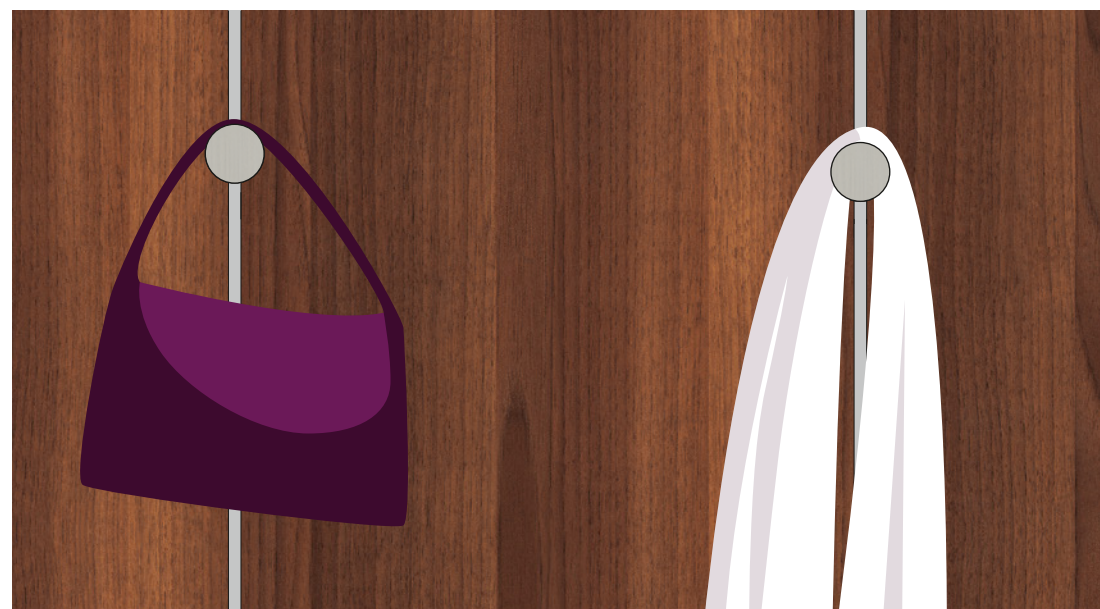
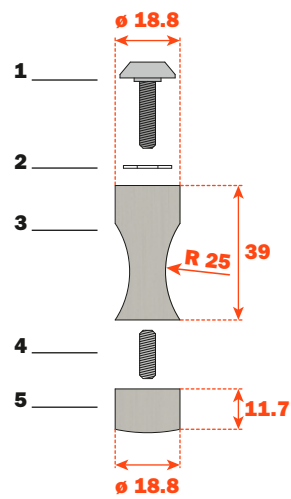
PACKING: boxes 16 pcs
 6) Profile length: 2 meters

DOB3LU100P = Aluminium finish
DOB3LU100T = Titanium finish

PACKING: boxes 16 pcs
 6) Profile length: 1 meter

The profiles can be surface-mounted or recessed into wall systems.
 Screws for the profile fixing to be ordered separately. Please see page 27.

Maximum weight carried by one Pin Hang: 10 kg.

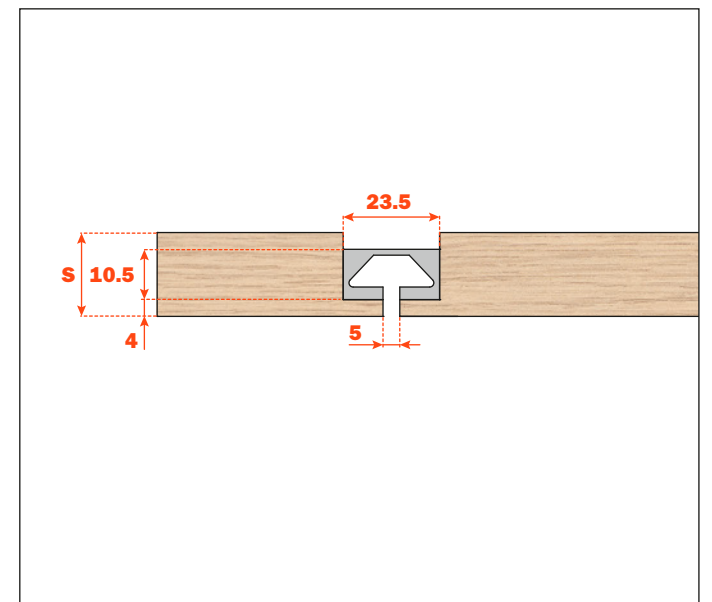
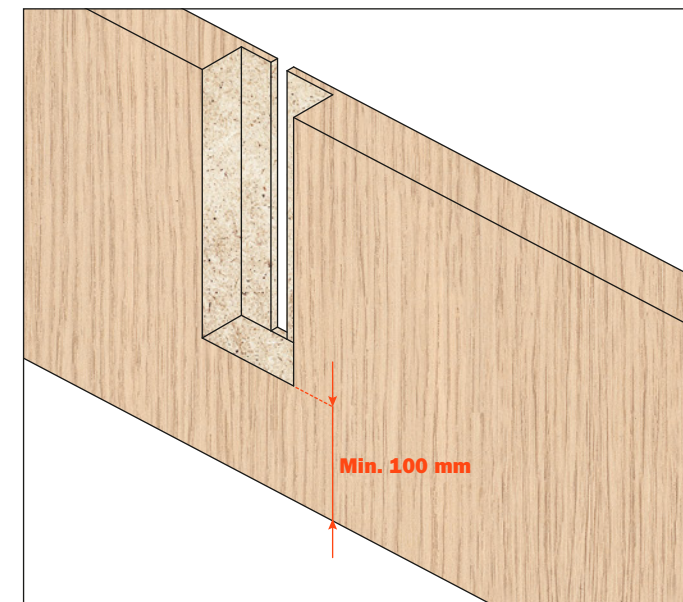


TECHNICAL INFORMATION

Wood panelling with recessed profiles

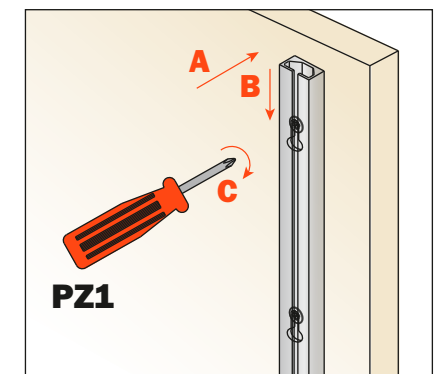
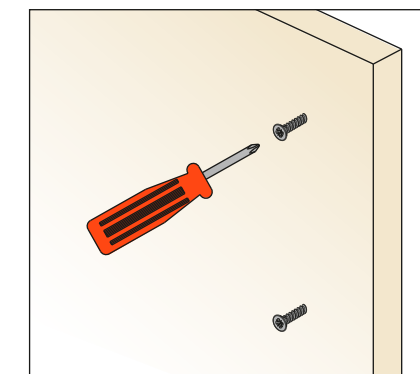
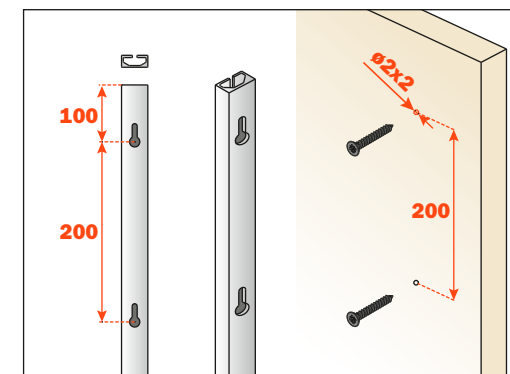
When machining the wood panelling, leave 100 mm from the top and from the bottom of the panel.

Dimensions for machining the wood panelling.

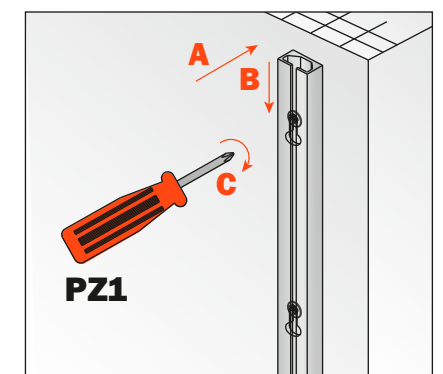
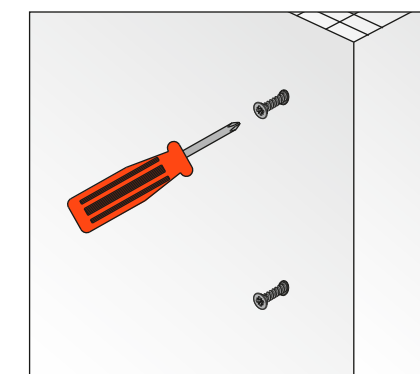
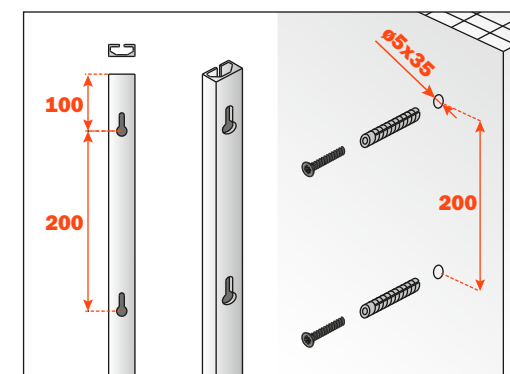


Surface-mounted profiles

Drilling the wood panel to fix the surface-mounted profile.



Drilling the wall to fix the surface-mounted profile.



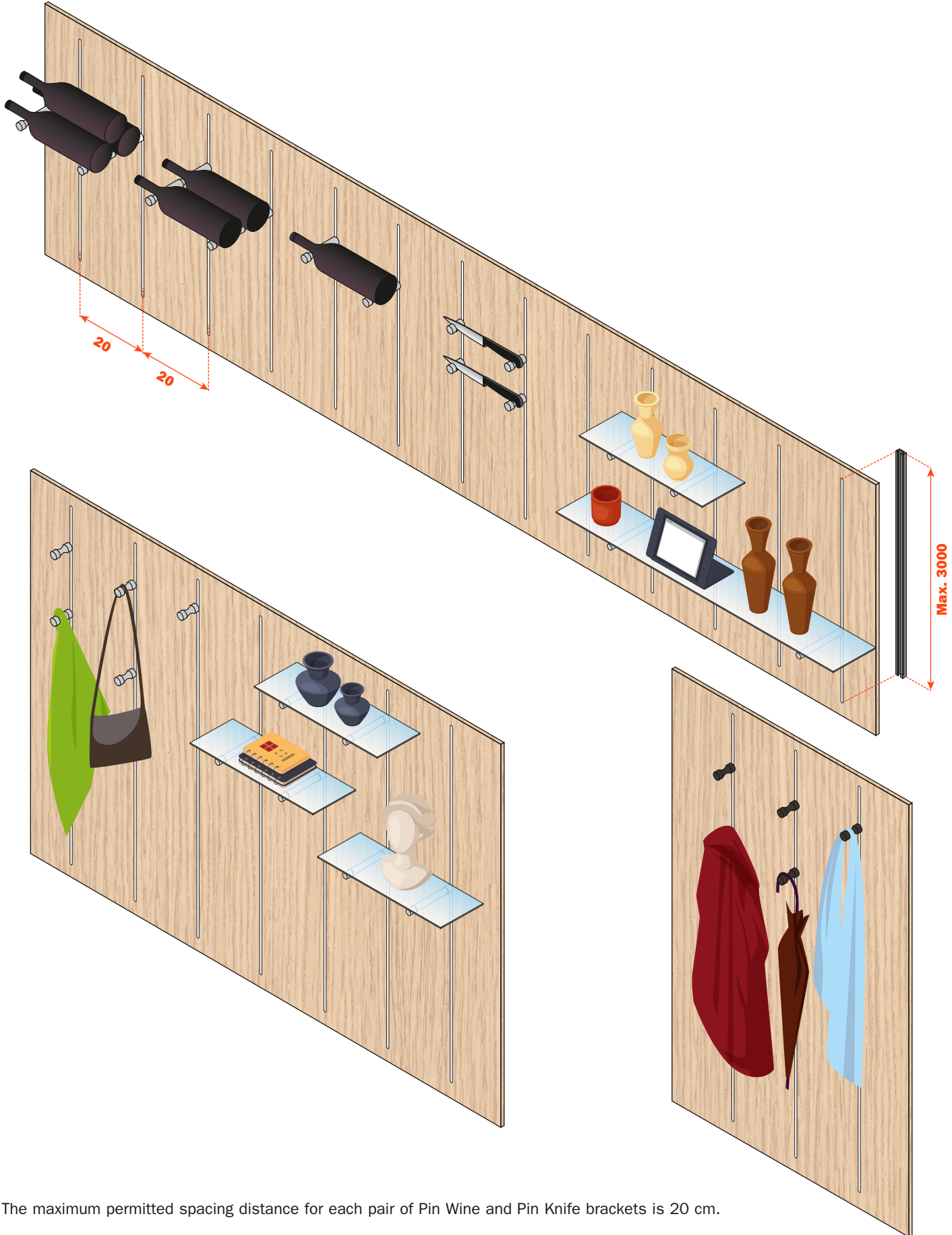
SCREWS PACKING

V073X205MP: screws for profile with aluminium finish (240 screws for wood panel, 240 screws with wall plugs)

V073X206MP: screws for profile with titanium finish (240 screws for wood panel, 240 screws with wall plugs)

POSSIBLE COMPOSITIONS

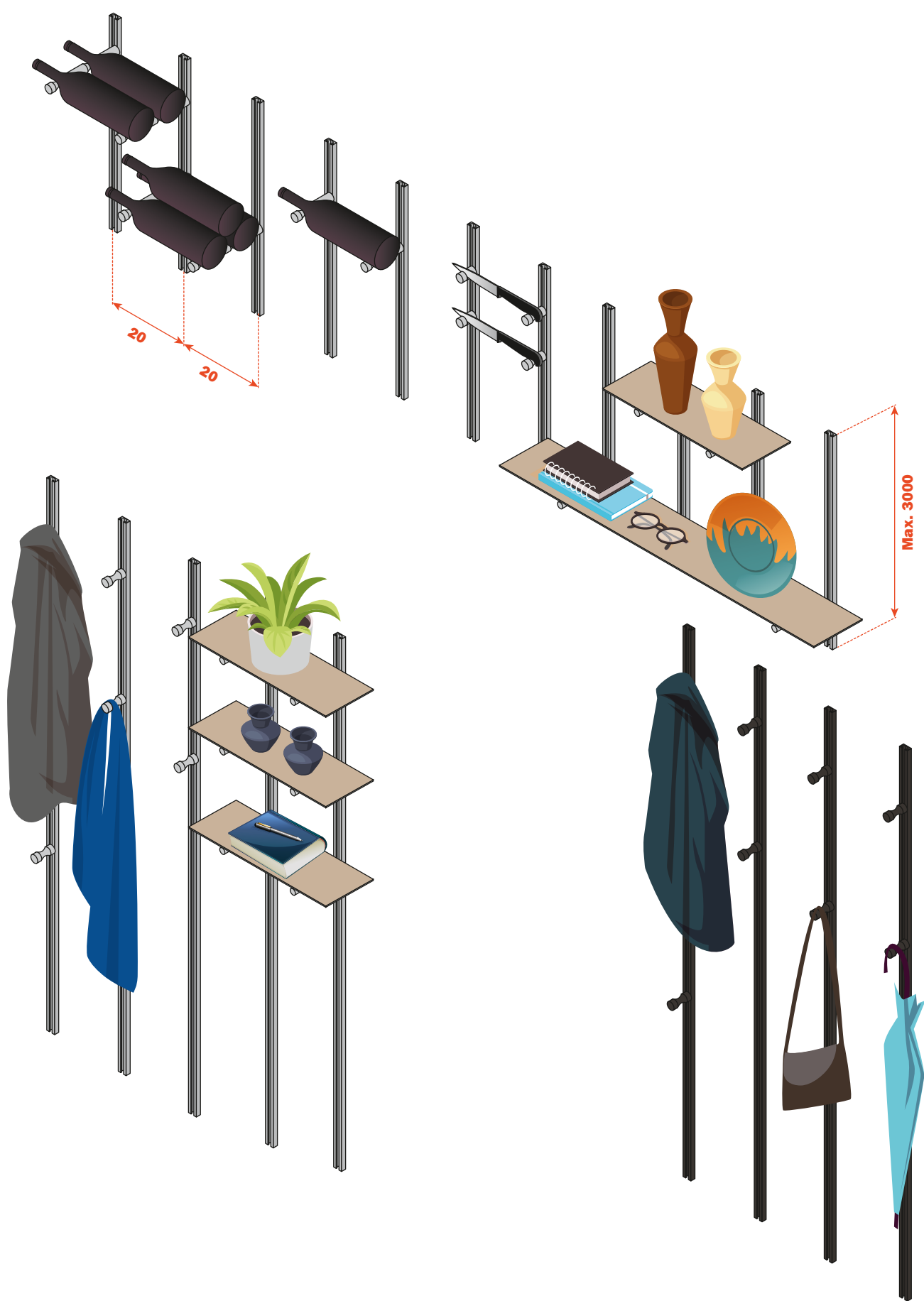
Wood panelling with recessed profiles



The maximum permitted spacing distance for each pair of Pin Wine and Pin Knife brackets is 20 cm.

POSSIBLE COMPOSITIONS

Surface-mounted profiles



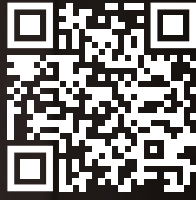
Max. 3000

SALICE AMERICA INC.

2123 CROWN CENTRE DRIVE
CHARLOTTE NC. 28227
TEL. 704 841 7810
FAX. 704 841 7808
info.salice@saliceamerica.com
www.saliceamerica.com

SALICE CANADA INC.

3500 RIDGEWAY DRIVE, UNIT#1
MISSISSAUGA, ONTARIO, L5L 0B4
TEL. 905 820 8787
FAX. 905 820 7226
info.salice@salicecanada.com
www.salicecanada.com



Digital contents



www.salice.com