



Hinge for corner cabinets

SALICE

Hinge for corner cabinets



Technical information

Adjustable hinge for corner cabinets.

11 mm (7/16") deep cup.
 35 mm cup diameter.
 Opening angle of the swing door 65°.
 Possible drilling distance on the door (K): from 3 to 5 mm.
 For doors close to 1" (25.4 mm), K max: 4 mm.
 Maximum thickness of the door with square edges: 1" (25.4 mm).
 Extended adjustment range +7 / -5 mm
 For special applications, please contact our technical service.
 Compatible with all mounting plates, including face frame adapters.


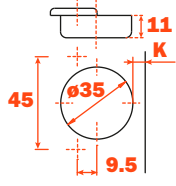

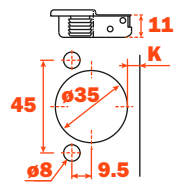
Packing

Boxes 150 pcs.
 Pallets 3.600 pcs.

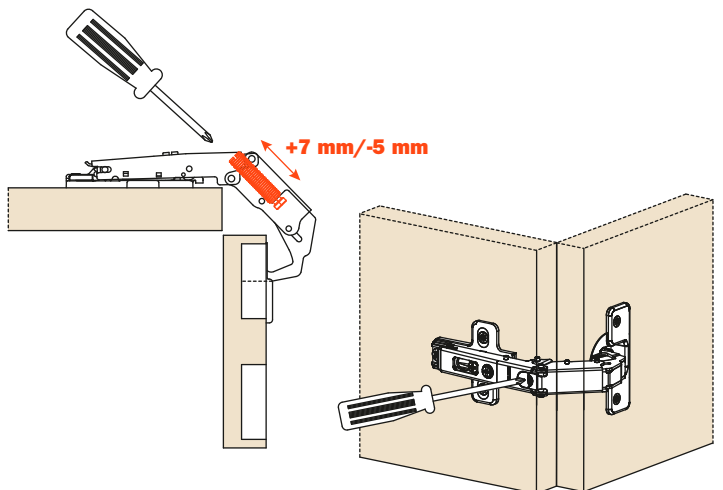
CA sprung hinge

C2_YA99R

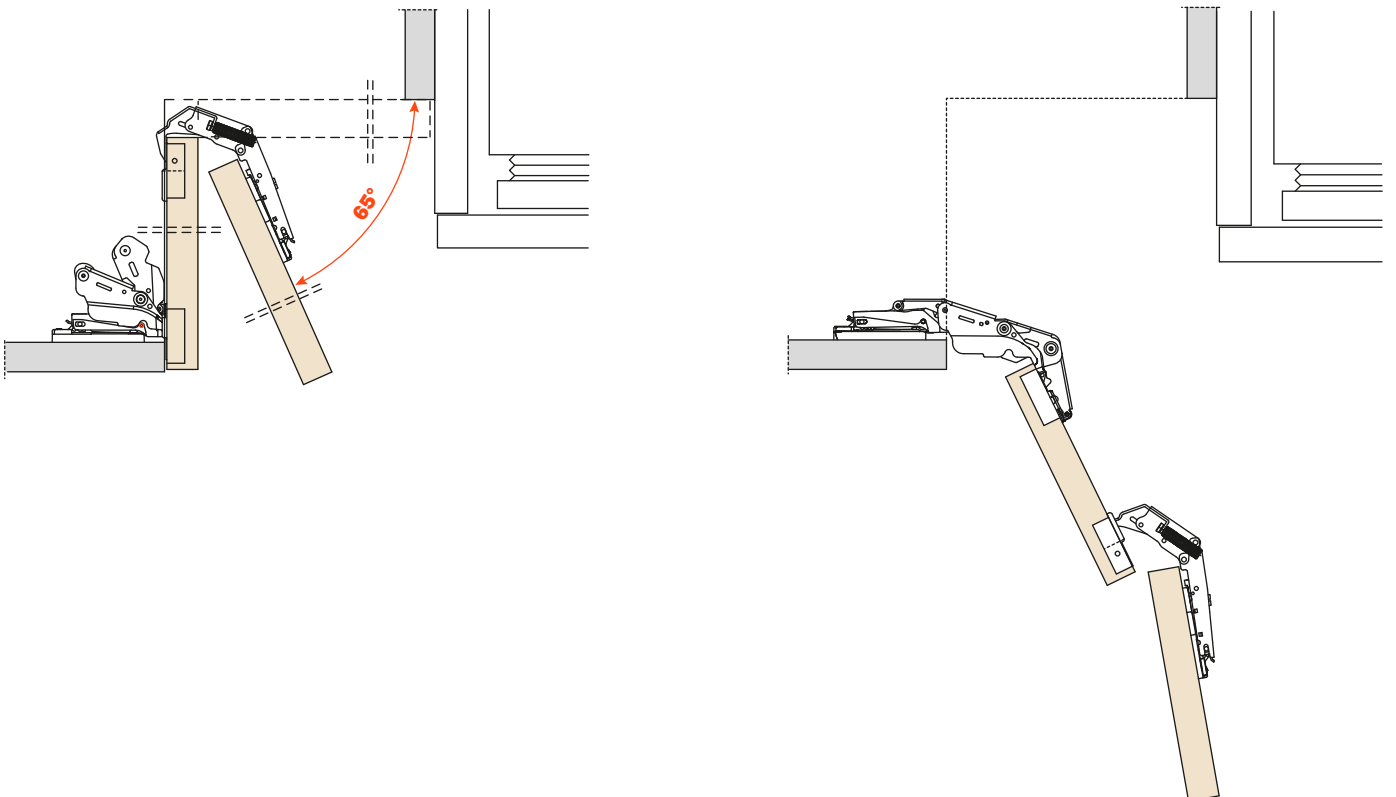


	
	C2PYA99R
	
	C2RYA99R

Diagonal adjustment

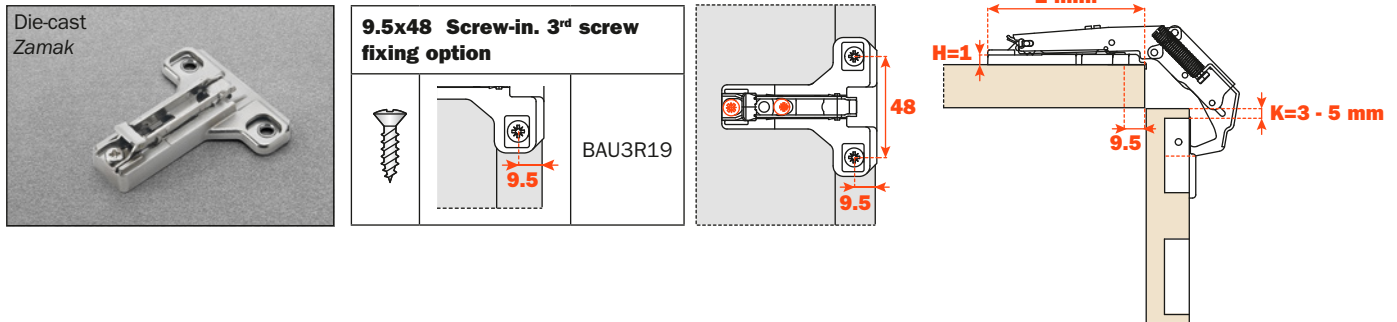


Hinge movement and maximum opening width



Using the hinge with a frame adapter plate 1 mm

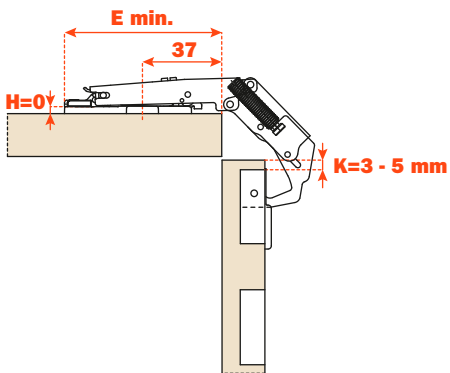
Thickness of the door with square edges: min. 16 mm - max. 25 mm



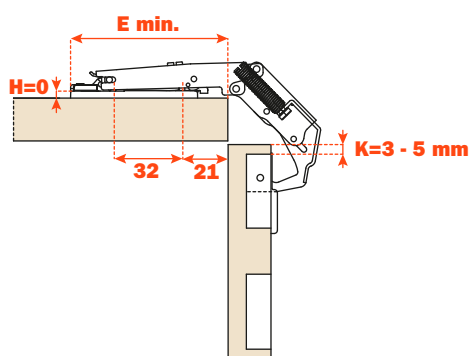
Using the hinge with a euro plate 0 mm

Thickness of the door with square edges: min. 16 mm - max. 25 mm

Cruciform plate



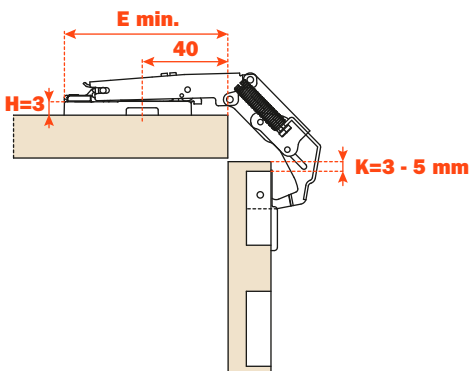
In-line plate



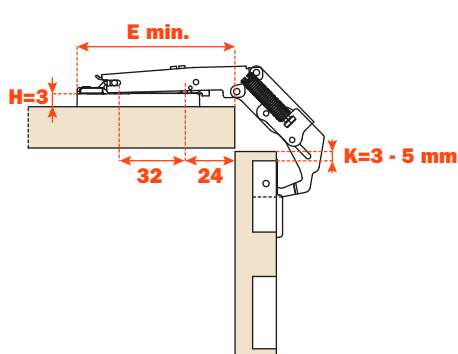
Using the hinge with a euro plate 3 mm

Thickness of the door with square edges: min. 19 mm - max. 25 mm

Cruciform plate



In-line plate



SALICE AMERICA INC.

2123 CROWN CENTRE DRIVE
CHARLOTTE NC. 28227
TEL. 704 841 7810
FAX. 704 841 7808
info.salice@saliceamerica.com
www.saliceamerica.com

SALICE CANADA INC.

3500 RIDGEWAY DRIVE, UNIT#1
MISSISSAUGA, ONTARIO, L5L 0B4
TEL. 905 820 8787
FAX. 905 820 7226
info.salice@salicecanada.com
www.salicecanada.com



Digital contents

DOCASAA34USACDN - Ed 01 - 10/2023

We reserve the right to change technical specifications.